

# Nanni marine engine

## Operator's manual

Engines

**N2.10**

**N2.14**

**N3.21**



## **English**

You can download a copy of this manual in English on [nannidiesel.com](http://nannidiesel.com).

## **Français**

Vous pouvez télécharger ce manuel en Français sur notre site Web à l'adresse [www.nannidiesel.com](http://www.nannidiesel.com).

## **Italiano**

Scarica una copia del manuale in lingua Italiano sul [nannidiesel.com](http://nannidiesel.com).

## **Deutsch**

Sie können eine Kopie dieses Handbuchs in Deutsch Sprache auf [nannidiesel.com](http://nannidiesel.com).

# 1

# CONTENTS

<b>Introduction .....</b>	<b>1</b>	<b>Maintenance .....</b>	<b>32</b>
About this manual .....	2	Service schedule.....	33
<b>Safety.....</b>	<b>3</b>	General inspection.....	35
Emergency kit .....	3	Fuel system .....	37
Safety alert symbols .....	3	Lubrication system .....	41
Safety icons .....	4	Cooling system .....	43
Safety precautions .....	5	Raw water system .....	47
<b>Overview .....</b>	<b>9</b>	Electrical system .....	51
About the engine .....	9	Battery .....	52
About the propeller .....	14	Corrosion protection .....	54
Behaviour of the boat .....	14	Long term storage .....	57
Engine main components .....	15	<b>Troubleshooting.....</b>	<b>59</b>
<b>Instruments panel.....</b>	<b>19</b>	<b>Technical data .....</b>	<b>61</b>
Standard panel .....	19		
Instrumentation .....	20		
<b>Operation .....</b>	<b>25</b>		
Before starting .....	25		
Starting the engine .....	26		
During operation .....	28		
Stopping the engine .....	30		

Thank you for choosing a Nanni product!

Contact a Nanni authorized dealer for the servicing of your product. A list of dealers can be found on our web site:

***[www.nannidiesel.com](http://www.nannidiesel.com)***

Nanni engines are the product of many years of experience in the development of marine engines and equipment designed for use in open seas. Your engine is built with the finest materials in accordance with precise specifications and strict production methods.

Before operating the engine, make sure that this manual is applicable to the engine. Refer to the Identification plate if you are not sure about the engine model designation. If you don't have the correct manual, please contact your Nanni authorized Dealer.

Correct installation of the engine on your boat is of the greatest importance for safe navigation and protection of the environment. The installation should be carried out by an authorized Nanni workshop in accordance with the installation instructions.



## About this manual

This Operator's Manual contains important information, tips, suggestions and warnings. We urge you to read it carefully and familiarize yourself with the engine before starting.

For your own safety and longer service life of the engine, follow the instructions and warnings contained in this manual and in all documentation provided with the boat. Ignoring them could result in damage to the engine or personal injury to you or others.

Please ensure that this Manual is always kept in the boat. It should always be available to anyone else using the engine, i.e. anyone renting, borrowing or buying the engine from you. Throughout the document, the following symbols are used to ease the reading:

→ Indicates that the text is continued on the following page.

■ Indicates the end of a section.

## Content and updates

All the informations and specifications in this Manual are based on the technical data applicable at the time of its publication. Changes and updates may be made by Nanni without notice.

Illustrations are intended as a general guide, and may vary from the equipment fitted in the engine in some details. Some sections of the Manual do not apply to all engines. If this is the case, a text indicates which engines it applies to.

If there are any equipment details that are not shown or described in this Operator's Manual, or if you have any questions about the operation of any equipment, your authorized Nanni Dealer will be glad to inform you of correct care and operating procedures.



Read this chapter carefully as it concerns your safety. Most accidents are caused by failing to follow basic safety rules. Be aware of the possible risks involved in handling the engine and make sure to take the necessary precautions to protect yourself, those around you and the equipment.

Read all informations supplied with the boat before starting the engine for the first time.

Always ensure that the maintenance of the boat and all equipment has been done in accordance with the instructions stated in the relevant Manual. Have all mandatory and necessary safety equipment handy in the boat and serviceable.

## Emergency kit

You can order an emergency kit from any Nanni authorized dealer.

The engine emergency kit contains several components to carry out simple repair in the event of a fault.

Always have an complete emergency kit onboard and necessary tools to carry out any repairs.



## Safety alert symbols

General rules of safety precautions to follow are indicated in this Manual. They are indicated as follows:

### **DANGER**

Indicates a hazardous situation which, if not avoided, will result in death or serious injury.

### **WARNING**

Indicates a hazardous situation which, if not avoided, could result in death or serious injury.

### **CAUTION**

Indicates a hazardous situation which, if not avoided, could result in minor or moderate injury, or could cause property damage.

**NOTICE:** Indicates important information in order to facilitate handling or avoid property damage.



# Safety icons

Several stickers are fixed directly on the engine. They are intended to help you to quickly identify the location of certain components and avoid possible hazards when working on the engine.

Ensure these stickers are always visible and change them if necessary.



Refers to important informations and instructions to follow before handling the engine.



Indicates possible electrical hazards.



This icon indicates a risk of fire.



Indicates hot parts entailing substantial risks of burns.



Indicates an area containing pressurised fluids.



Stipulates that no flames or sparks should be created in the vicinity.



Indicates hazardous rotating parts.



Indicates the de-aeration orifice(s) (air bleed).



Indicates where to check the coolant level.



Indicates where to check the engine oil level.



Indicates the coolant drain orifice.



Indicates the oil drain orifice.



# Safety precautions

## Exhaust gas

Exhaust gases contain carbon monoxide. This colourless and odourless gas is extremely harmful and could lead to poisoning which could result in loss of consciousness or death. The first symptoms of carbon monoxide intoxication are as follows:

- Dizziness
- Nausea
- Headache
- Throbbing temples
- Vomiting
- Fatigue and falling asleep
- Tense muscles

If you or anyone else in the vicinity of the engine experiences any of these symptoms, leave the area of operation of the engine and find fresh air. If the symptoms persist, consult a doctor and have the engine checked.

Ensure the exhaust circuit correctly expels the gas produced by the engine. Regularly check that the exhaust circuit is free of leaks and that the exhaust elbow is in good condition.

## Burns

Never touch the hot parts of the engine! An operational engine gets very hot: the exhaust system, turbocompressor (if equipped), starter, oil sump, oil, coolant in the hoses and pipes are hot and can burn.

Fluids ejected under pressure can cause serious injury. Release all the pressure in the circuits before removing the caps. Never open the oil circuit and coolant caps when the engine is operational and/or hot. Never start or run the engine when the oil fill and coolant caps are not screwed on as hot oil or coolant could spray out.

If you come into contact with any of these fluids, consult a doctor immediately. If the engine gets too hot, switch it off and disconnect it and wait for it to cool down before checking for failure.

## Fire

Do not smoke near the engine and keep it away from sources of ignition (flames or sparks) or any other potential flammable vapour or liquid sources. Do not run the engine without the air filter.

Do not run the engine in an area in which flammable or explosive materials are stored or where gas is present. Ensure there are no flammable liquids in the engine compartment.

Immediately clean up any liquids spilled and keep the engine compartment clean and accessible so as to minimise the risk of fire. Be careful as fuel can burn. Damaged pipes can lead to fire.

## **Explosion**

Explosions caused by fuel vapour can cause serious injury! Carefully follow the safety rules when filling the fuel.

Open and ventilate the storage area of the engine after filling. Check that there are no fuel vapours or leaks before starting the fan (if fitted). Switch the fan on for 5 minutes before starting the engine.

All fuel vapours are flammable and explosive. Be careful when handling and storing fuel. Store the fuel in a ventilated area away from sources of ignition (sparks or flames) and out of the reach of children.

Stop the engine before filling with fuel or lubricant. Do not smoke near the engine and keep it away from sources of ignition (flames) when filling with fuel and/or lubricant. Wear gloves when investigating possible leaks.

Do not alter or damage the fuel circuit. Close the fuel circuit whenever you work on it. Ensure you always have an appropriate working fire extinguisher to hand.

## **Hazardous Voltage/ Electrical Shock**

Electrocution is possible whenever electricity is present. Hazardous voltage can cause severe injury or death. Operate the engine only when all guards and electrical enclosures are in place.

Open the main circuit breakers of all power sources before servicing the equipment. Configure the installation to electrically ground the engine, transfer switch, and related equipment and electrical circuits to comply with applicable codes and standards.

Never contact electrical leads or appliances when standing in water or on wet ground because these conditions increase the risk of electrocution. The voltage at these terminals can cause death.

Short circuits can cause bodily injury and/or equipment damage. Remove all jewellery before servicing the equipment.

Hazardous backfeed voltage can cause severe injury or death. Connect the engine to the building/marina electrical system only through an approved device. Work on the electrical circuit should only be carried out by qualified technicians.

Operations on the shore power equipment must only be carried out by electricians authorized to work with high voltage installations.

Special attention must be brought on boat with metallic hull, especially concerning the protection of the persons against electrical shock and the protection against galvanic and electrolytic corrosion.

## **Battery acid**

The acid in batteries can cause serious injury and even death!

When servicing the batteries, wear protective gloves and goggles. Batteries contain sulphuric acid which is highly corrosive.

Acid can spurt from batteries when they are handled. If the acid comes into contact with the skin, rinse thoroughly in fresh water and consult a doctor.

## **Risk of battery explosion**

A battery explosion can cause serious injury and even death! Ensure the battery storage compartment is corrected ventilated.

Do not smoke near the batteries and keep them away from sources of ignition (flames or sparks). They produce hydrogen which could ignite or explode on contact with an electrical arc or a flame.

Switch off all electrical appliances in the vicinity when you are working on the batteries.

Ventilate correctly storage batteries compartment. Avoid touching the battery terminals with metal tools so that no sparks are created which could cause an explosion. Remove the rings, bracelets and necklaces before handling the batteries.

## **Rotating parts**

Rotating parts can be extremely dangerous and cause serious injury and even death!

Do not work on the engine when it is operational. If work on the engine when running is absolutely necessary, do not touch any hot or rotating parts.

Baggy clothing, hair or objects could be pulled in and/or caught and cause serious injury or substantial property damage.

Do not wear bracelets, necklaces or rings when working on a engine. Check that the bolts and screws are properly tightened and that the protection mechanisms are in place. Do not check the tension of the alternator belt when the engine is operational.

## **Accidental starting**

Accidental starting can cause serious injury and even death!

Disconnect the battery before working on the engine. Ensure no one is alongside the engine or working on before starting it. A rotating propeller can cause serious injury or death. Ensure all the protection mechanisms are in place before starting the engine.

## **Chemical products**

The different fluids used to run the engine are a health hazard. Carefully read the instructions on the packaging of these products and always check that the ventilation in the hold space is adequate.

Follow environmental regulations concerning the disposal of oil, fuel, coolant, filters and batteries. Do not put your hands over pipes when looking for possible leaks.

## **Water ingress**

The engine should be protected against from water ingress by any means. Water ingress leads to complete engine failure. This is not cover under any warranty terms.

Water can enter the engine after filling the exhaust system.

Correct installation of the engine on your boat is of the greatest importance for safe navigation and pro-

tection of the environment. The first protection against water ingress is a correct installation of the engine.

A correct use of the engine is also important to protect the engine against water ingress. The operator/owner is responsible for the correct operation of the engine and for the implementation of all necessary means to protect the engine against water intrusion.

After a vessel capsizing, or if the engine has been filled with water, do not start the engine, except in extreme emergencies, and contact an authorized Nanni dealer.



## About the engine

### Engine identification

Both the engine and the transmission has an identification plate that contain several informations.

Keep these plates accessible and in good condition. Record and keep the engine and transmission serial number and designation. These numbers should always be quoted when ordering service and replacement parts.

The engine identification plate is as follow:



- **TYP** indicates the commercial designation of the engine.
- **NR** indicates the engine serial number.
- **CODE** lists various specifications of the engine.

## Break in

Operate the engine with care for the first 50 hours of operation.

Do not race the engine while it is cold. Do not operate it at full load except for short periods. Never run the engine at constant engine speed for long periods during the break in period.

Check the oil and coolant level frequently during the running-in period. The oil consumption can be more important during the running-in period.

## Engine installation

The installation must be carried out by an authorized Nanni workshop in accordance with the installation instructions. Correct installation of the engine is of the greatest importance for safe navigation and protection of the environment.

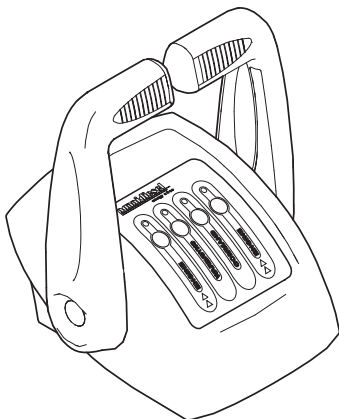
It also ensure maximum service life under normal conditions of use.

Engine damage caused by failure to follow installation instructions is not covered by the warranty.



## Remote Control

The remote control is an optional extra not in the scope of supply of the engine. The remote control installed on the boat can be different than the ones shown in this document.



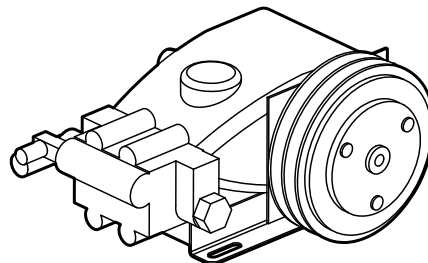
On most boats, the control lever controls both the engine rpm and the gear shift (ahead / astern). However, some boats can be equipped with a separated shift command.

It can also be fitted with a neutral safety switch that prevents the engine from starting until the lever is in neutral position.

Consult the boat builder or your Nanni dealer if you are not sure about the operation of the remote control.

## Power Take Off

Some engines can be fit with a Power Take Off system. This system allows to power accessories like bilge pump, watermaker, etc.



**NOTICE:** Any mechanical power taken from the engine from a PTO reduces the power delivered to the propeller. The use of a PTO should always be studied and approved by the R&D department of Nanni Industries S.A.S France. Contact your Nanni dealer for more informations.

## Trolling valve

The Trolling valve system allows to reduce the rotation speed of the propeller below its speed when the engine is at idle. The boat speed is reduced by 30% to 70%.

### **⚠ CAUTION**

The Trolling valve system must never be used for manoeuvring. It also must never be used at an engine speed of more than 1200 rpm.

## Operation in cold weather conditions

Nanni engines are designed to operate effectively in cold weather.

However, for effective starting and cold weather operation, extra care are necessary. Contact your Nanni dealer for additional information and local availability of cold weather aids.

### **WINTER GRADE FUEL**

Winter grade fuel allows to protect the injection system when temperatures fall below 5°C (40°F). Winter grade fuel is best suited for cold weather operation thanks to its lower cloud and lower pour points.

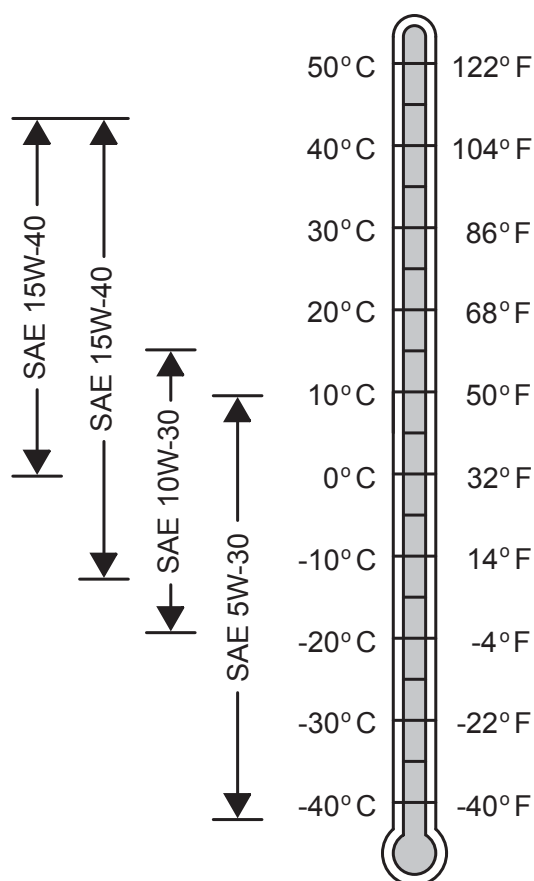
However, using winter grade fuel may reduce power and fuel efficiency as winter grade fuel has a lower BTU (heat content) rating. Check the grade of fuel being used before troubleshooting for low power complaints in cold weather operation.

In all cases, fuel quality and fuel sulfur content must comply with all existing emissions regulation for the area in which the engine operates.

## Oil viscosity

Use seasonal grade viscosity engine oil based on the expected air temperature range between oil changes.

Follow the diagram below to adapt the oil viscosity:



As an option, some engines are available with an air intake heater to aid cold weather starting. Contact your Nanni dealer for more informations.

## Engine homologation

The engine type can be exhaust emission certified. It means that Nanni guarantees that all engines of the same type that are manufactured are approved and certified by the authorities in accordance with different exhaust emissions standards.

However, for the engine to be in accordance with this standards, special requirements for maintenance and service are to be followed:

- Only Nanni replacement parts must be used.
- Maintenance intervals must be observed.
- The engine must not be modified in any way except with accessories and service kits approved by Nanni Industries S.A.S. France.
- Service of the fuel system must always be carried out by an authorized Nanni workshop.
- No modifications to the air intake and exhaust system may be undertaken.
- Seals may only be broken by authorized personnel.
- The operation instructions stated in the relevant manuals should be followed by the user.

Nanni's responsibility for the engine specification being in accordance with the certification will be invalidated if one or several of these conditions are not followed.

## Environmental responsibility

Nanni designs its engines to have minimum environmental impact. This objective, however, can only be achieved with your full cooperation.

Our operating and maintenance instructions are to help you to protect your engine and adopt environmentally responsible behaviour.

Ensure you only use the fuels and oils recommended. Using another type of fuel or oil could cause major malfunctions, a higher fuel consumption, a reduced engine service life, and a greater discharge of exhaust gases.

When draining the oil and changing the oil or fuel filter, dispose of the waste in an appropriate container.

These fluids cause major damage to flora and fauna if discharged into nature. Use an absorption kit in the event of accidental discharge of oil or fuel into the water.

## Warranty

This manual is supplemented by a Warranty Information Booklet. We recommend that you read this publication thoroughly.

Pay special attention to the applicable duty cycle and to the limitations that result. Failure to comply with the warranty conditions will void the Warranty.

The validity of the Warranty is also dependent on proper installation and maintenance operation being carried out by an authorized Nanni representative.

**NOTICE:** Late or improper maintenance or use of spare parts other than Nanni original spare parts will invalidate Nanni's responsibility for the engine accordance with homologation and will void the Warranty.

Modifications to the engine's settings, as well as any other technical modification (accessories, spare parts, additional equipment, etc) **ARE FORBIDDEN WITHOUT WRITTEN AUTHORIZATION FROM NANNI INDUSTRIES S.A.S.**

Any modification will void the Warranty. Damage caused by failure to follow operation instructions or incorrect operation is also not covered by the warranty.

## Commissioning inspection

Commissioning inspection is a condition of the validity of the Limited Warranty. Moreover, it allows the registration of the product at the factory and record important informations regarding the product.

By registering the product, you will receive the best warranty coverage possible and Nanni will be able to contact you in the event of updates or service notifications.

Operations to be performed during commissioning inspection are specified in the Warranty Booklet. The commissioning inspection must be signed by the seller and the owner of the engine.

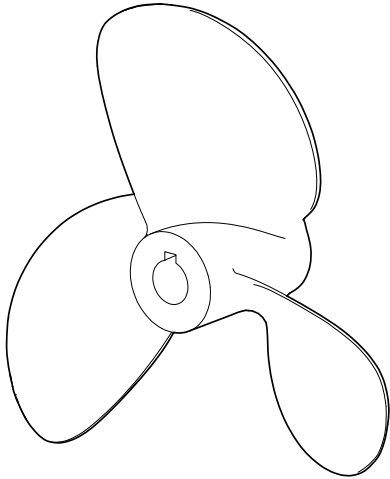
It's the owner responsibility to control that the commissioning inspection has been fully completed and signed by the person who carried out the inspection.

The informations regarding the RPM must be taken using an electronic tachometer. Never use the tachometer of the instrument panel for this purpose.



## About the propeller

The propeller is a critical component of the propulsion system. It converts the engine power in thrust. To be efficient, the propeller must be perfectly adapted to the boat and to its use.



In all cases, the propeller should allow the engine to reach its rated rpm with the maximum boat load.

A faulty operation of the engine is often due to an inadequate and / or damaged propeller.

## Behaviour of the boat

If this is your first boat or if you are not familiar with the boat, we urge you to practice controlling the boat at slow speed as a first step.

Avoid violent manoeuvres or unexpected speed changes while sailing. People can fall over or overboard.

Keep also in mind that the weight distribution (passengers, equipments, etc.) inside the boat has an impact on the behaviour of the boat when cruising. Depending the position of the load, the behaviour of the boat may change, particularly in the case of a planning hull.

The condition of the hull and the propeller is also a critical factor. A dirty and / or damaged hull will modify the behaviour of the boat and therefore the engine performance. It can also cause cavitation which can seriously erode the surface of the propeller, the drive, etc.

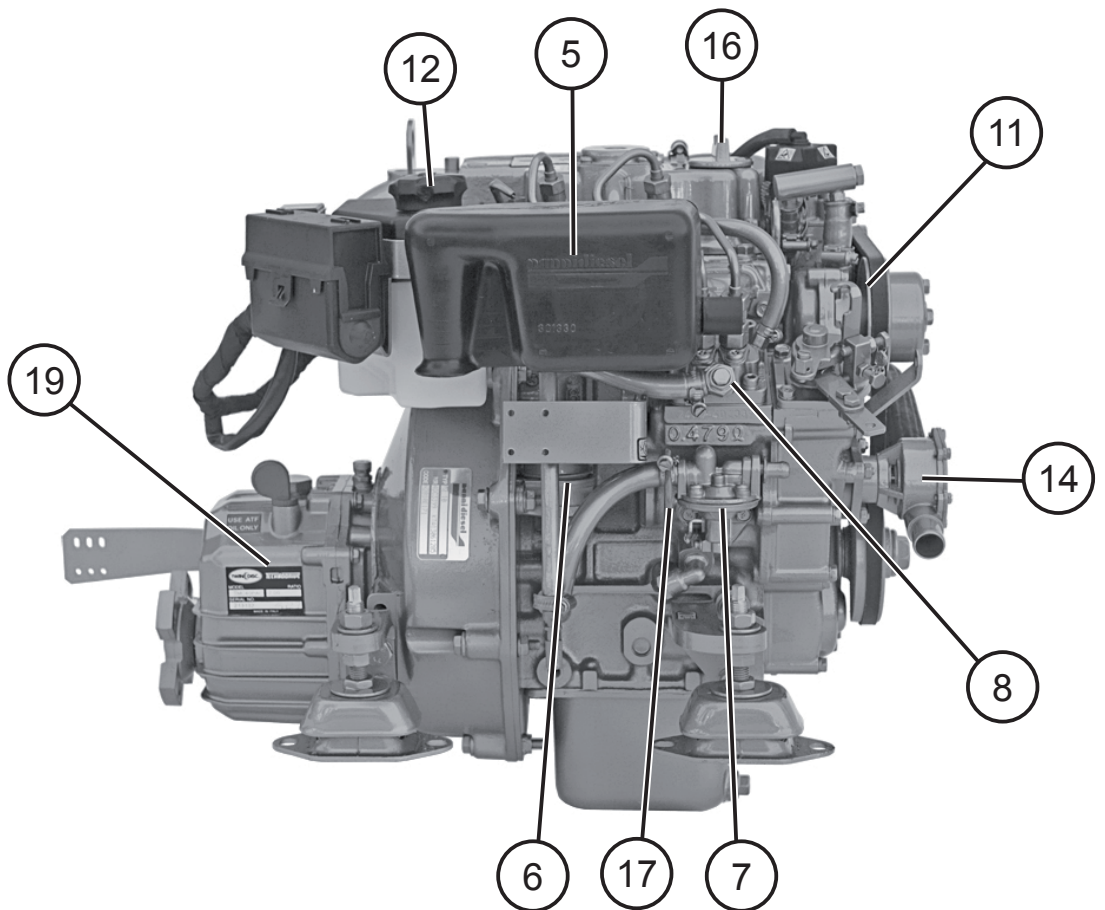
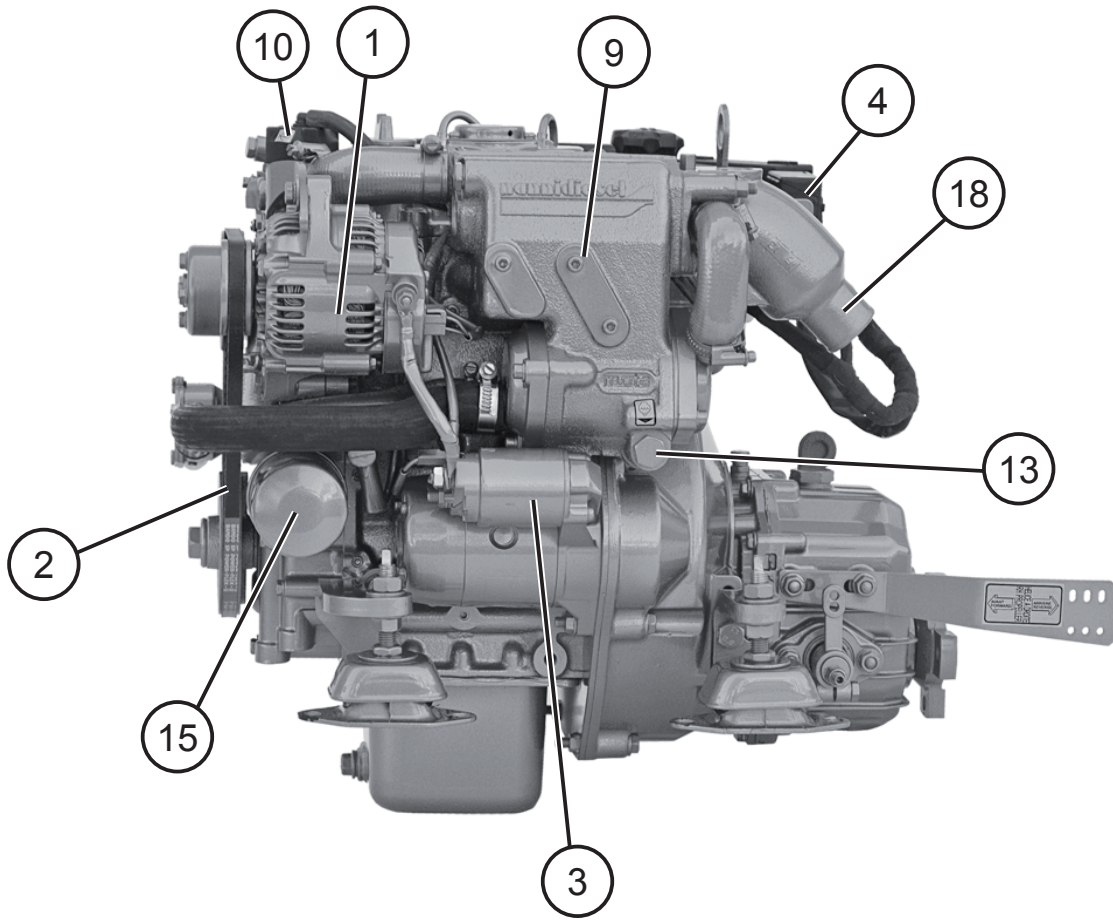
# Engine main components

**NOTICE:** The engine may not be exactly as represented here. Some components may not be part of the engine ordered.

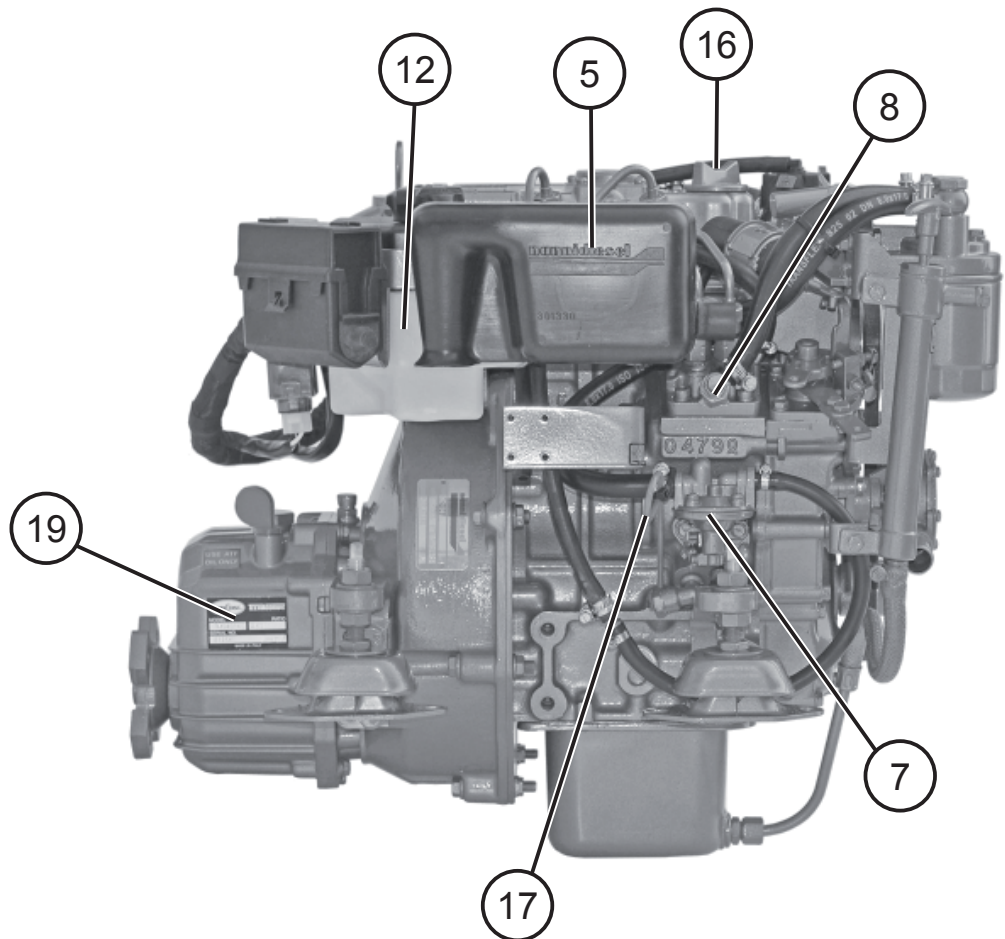
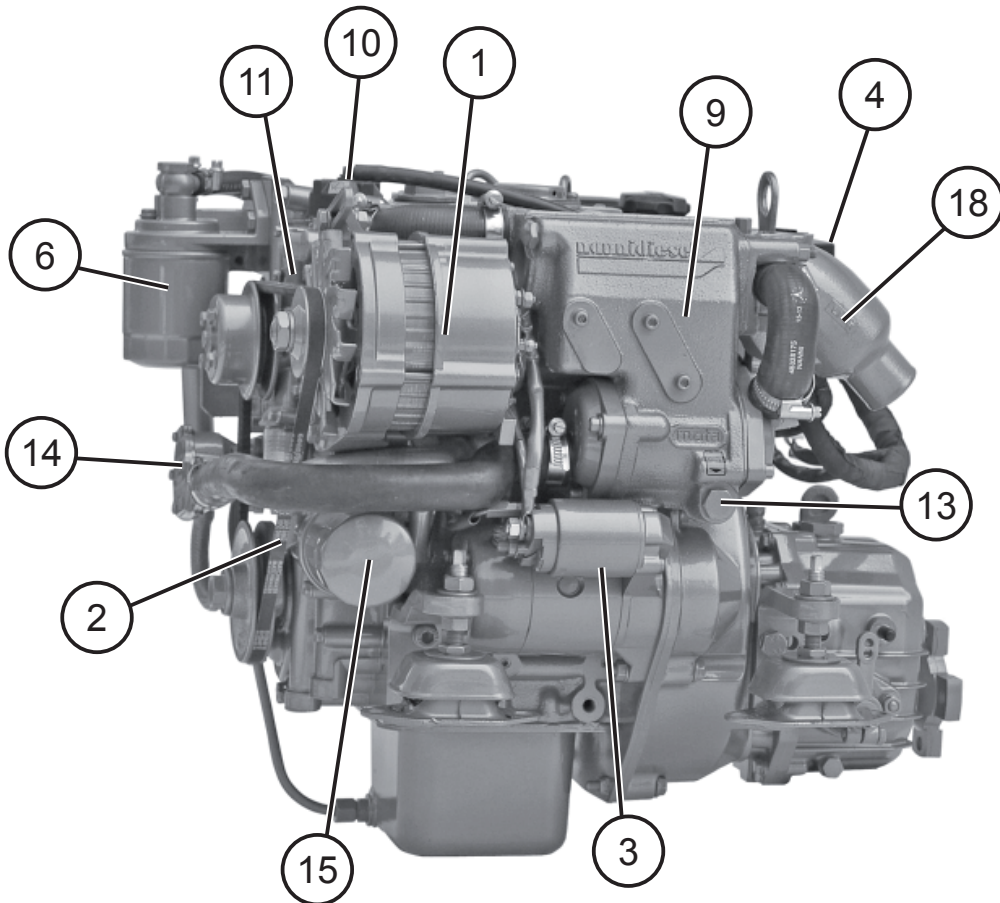
<i>P/N</i>	<i>COMPONENTS</i>
<b>1</b>	Alternator
<b>2</b>	Alternator belt
<b>3</b>	Starter
<b>4</b>	Fuses box
<b>5</b>	Air filter
<b>6</b>	Fuel filter
<b>7</b>	Fuel feed pump
<b>8</b>	Fuel injection pump
<b>9</b>	Heat exchanger
<b>10</b>	Coolant filler plug
<b>11</b>	Coolant pump
<b>12</b>	Recovery tank
<b>13</b>	Coolant drain plug
<b>14</b>	Raw water pump
<b>15</b>	Oil filter
<b>16</b>	Oil filler port
<b>17</b>	Oil gauge
<b>18</b>	Water cooled exhaust elbow
<b>19</b>	Transmission



# N2.10

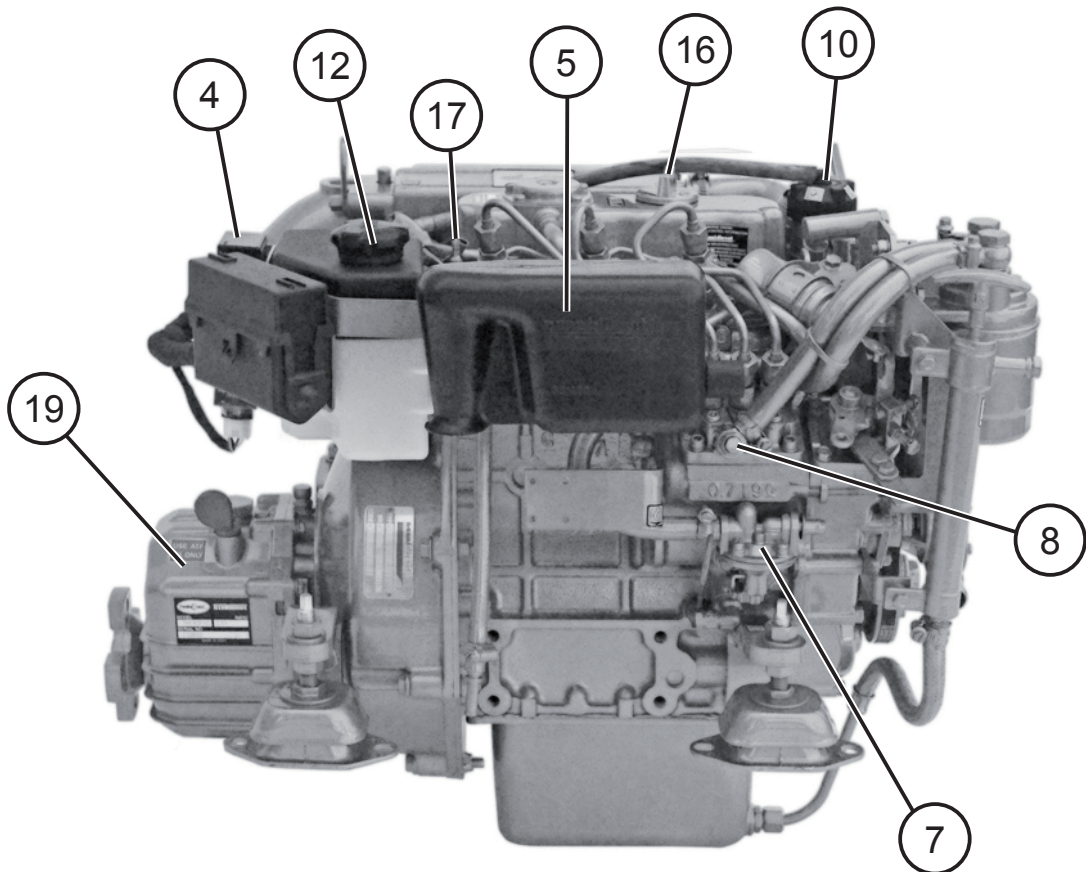
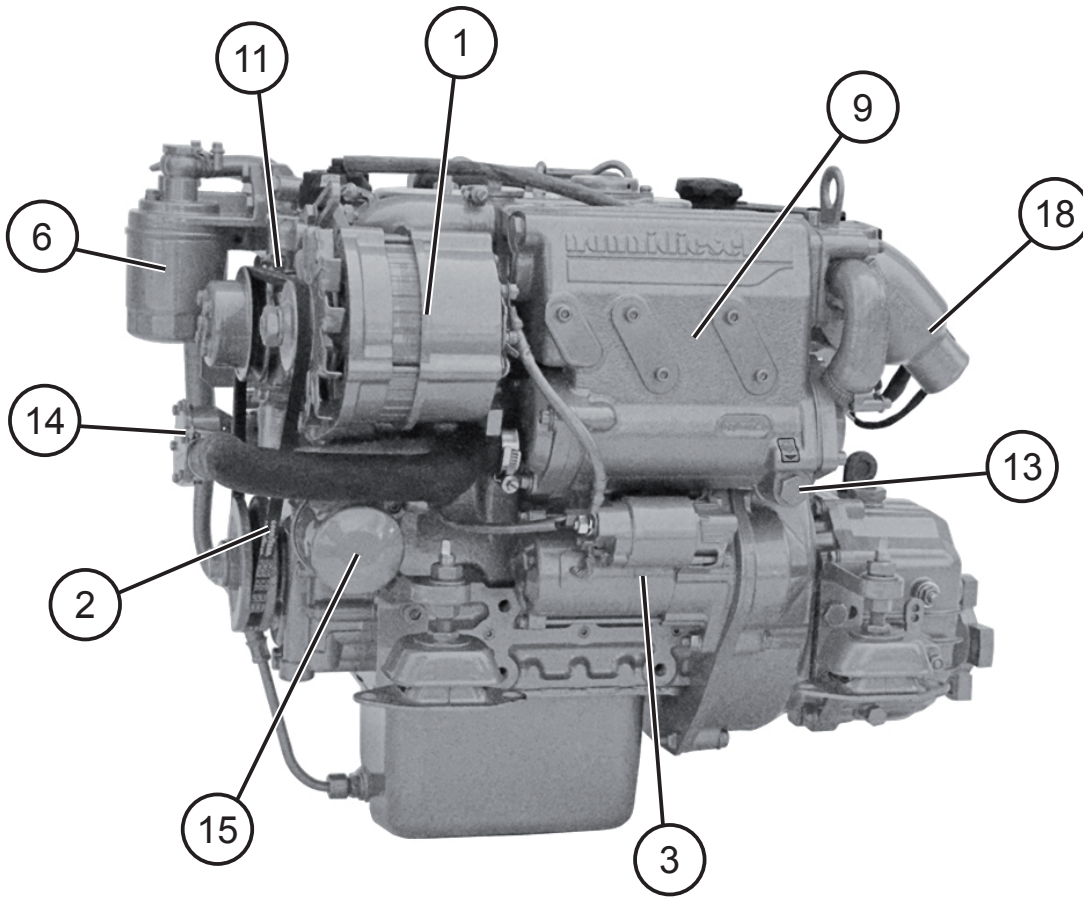


# N2.14





# N3.21



# 5 INSTRUMENTS PANEL

## ⚠ WARNING

Read the starting and stopping instructions before operating the engine.

The instrument panel provides you with important informations about the engine.

**NOTICE:** This chapter only describes instruments and panels that come standard on Nanni engines. Contact your dealer if the boat is fitted with instruments not described in this chapter or if you are not sure about their function. Depending the boat, the warning lamps and the instruments can be installed separately without the panel shown here.

On some boats, a panel without key is used as an additional instrument panel in Flying Bridge position. A main panel fitted with a key switch generally located in the wheel-house is used to prevent unauthorized starting from the additional panel. To start the engine using the additional panel, the key of the main panel should be switched to **IGNITION** position.

## Standard panel

### ECO4 PANEL

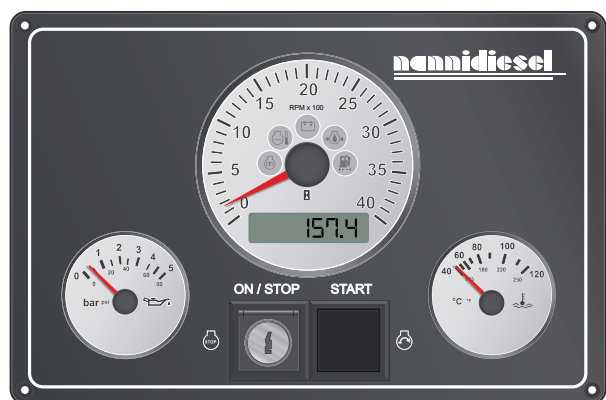


**NOTICE:** The Eco4 panel is only available with the engine model N2.10.

### A4 PANEL



### C4 PANEL



# Instrumentation

## Tachometer & Warning lamps

The analog tachometer displays the engine speed. Multiply the indicated value by 100 to get the revolutions per minute of the engine.

The function of the warning lamps is explained in the following pages.



## Hourmeter & Voltmeter

The display at the bottom of the dial shows the operating time of the engine in hours

When the system voltage is connected, the display indicates the voltage at the battery terminals.

## Starter switch

The starter switch allows to start and stop the engine.

The **ON/STOP** switch allows to connect the system voltage and to stop the engine.

The **START** button allows to pre-heat the engine and engage the starter.

**NOTICE:** As standard, the engine model N2.10 is not fit with an electric stop function. A mechanical stop control has to be installed to stop the engine.



## Engine oil pressure indicator

**NOTICE:** This indicator does not show the engine oil level. This indicator shows the oil pressure in bar and psi.

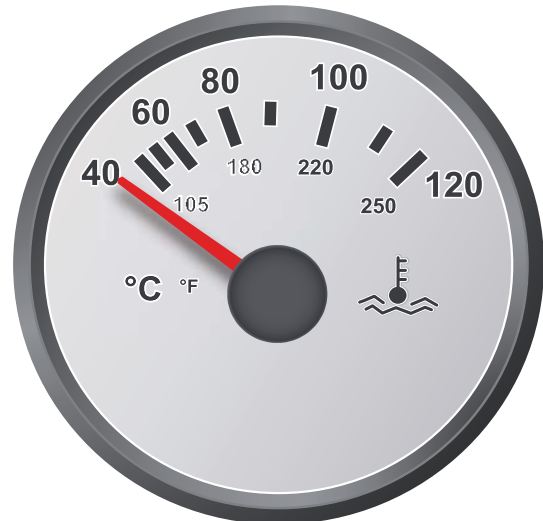
If the oil pressure in the lubrication circuit is too low, the acoustic alarm sounds and the corresponding warning lamp comes on.



## Coolant temperature indicator

Indicates the coolant temperature in Celsius and in Fahrenheit degrees.

If the coolant temperature is too high, the acoustic alarm sounds and the corresponding warning lamp comes on.



## Warning lamps

### COOLANT TEMPERATURE



This warning lamp comes on and the alarm sounds when the coolant temperature is too high.

#### **⚠ DANGER**

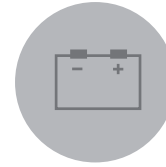
Never open the coolant filler cap or any plug of the cooling system when the engine is warm. Steam or hot fluid can spray out.

#### **⚠ CAUTION**

\* If this alarm comes on while the engine is running, stop the engine, except in extreme emergencies, and check the coolant level, the belt condition, the raw water filter condition, and that the sea cock is open.

\* Operating the engine while the coolant temperature is too high can lead to severe engine damage. Do not operate the engine if the problem persists and contact a Nanni workshop as soon as possible.

### BATTERY CHARGE



This warning lamp comes on when the system voltage is connected.

If this lamp lights up when the engine is running, it indicates that the alternator of the engine is not charging.

The cause can be a fault in the electrical system or because the alternator belt is slack.

#### **⚠ CAUTION**

\* If this alarm comes on while operating the engine, stop the engine, except in extreme emergencies, and check components of the belt system. Also check components of the electrical system (fuses, battery, etc).

\* Do not operate the engine if the problem persists and contact a Nanni workshop as soon as possible.



## **PREHEATING**



This lamp comes on when the glow plugs (if fitted) are activated.

## **ENGINE OIL PRESSURE**



This warning lamp lights up and the alarm sounds when the engine oil pressure is too low.

### **⚠ CAUTION**

\* If this alarm comes on while operating the engine, stop the engine, except in extreme emergencies, and check the engine oil level and the oil filter condition.

\* Operate the engine when the oil pressure is too low can lead to severe engine damage. Do not operate the engine if the problem persists and contact a Nanni workshop as soon as possible.

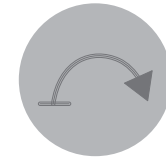
## **WATER IN FUEL FILTER**



This lamp lights up and the alarm sounds when there is too much water in the fuel filter of the engine (not applicable on some engines).

If this alarm comes on, stop the engine and drain the water in the fuel filter.

## **SYSTEM VOLTAGE**



**NOTICE:** Only on Eco4 panel.

Indicates that the system voltage is connected.



## Note

---



# 6 OPERATION

## Before starting

### **⚠ WARNING**

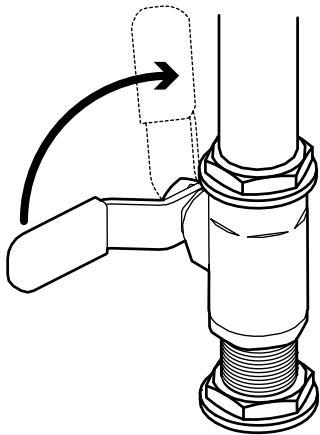
Put all the protective covers back before starting the engine.

### **⚠ CAUTION**

Open the sea cock (if equipped) before starting the engine. The raw water pump impeller will be damaged if it runs dry even for few seconds, and may lead to engine overheating.

Perform all of the following operations before starting the engine:

**1.** Open sea cock (if fitted). Prime the raw water system if necessary.



**2.** Start the compartment fan (if fitted) for at least five minutes. Otherwise, open the hold.

**3.** Check that there is sufficient fuel.

**4.** Move the control lever to the neutral position.

**5.** Open fuel cock, prime the system if necessary.

**6.** Check the engine and transmission oil level and fill with the recommended oil if necessary.

**7.** Check the coolant level, top up if necessary.

**8.** Check the control cables, grease the connections if necessary.

**9.** Check there are no fuel, oil, coolant or water leaks.

**10.** Check the alternator belt.

**11.** Switch ON the main switches.





# Starting the engine

## **⚠ DANGER**

\* The propeller can cause serious injury when rotating. Check that nobody is in the water near the propeller before starting.

\* Never use a start spray or any other equivalent product. These products are highly flammable.

## **⚠ CAUTION**

\* Always preheat the engine. Never race the engine while it is cold.

\* Do not crank the engine continuously for more than 10 seconds at a time. Let it cool down for 2 minutes between cranking attempts. Failure to follow these guidelines may result in starter motor burnout.

\* If the engine doesn't start after 3 attempts, remove the key and drain the water in the waterlock. Failure to do so may lead to water ingress in the cylinders.

**NOTICE:** When starting the engine for the first time, let it run at idle for several minutes and check for leaks or malfunction.

# Starting using booster batteries

## **⚠ CAUTION**

Make sure to use batteries with the same rated voltage as the engine's system voltage.

1. Connect the jumper cable to the positive pole (+) of the flat battery, then to the positive pole (+) of the booster battery.
2. Connect the jumper cable to the negative pole (-) of the booster battery. Then connect the other end of the cable to a bolt on the clutch of the engine block.

## **⚠ DANGER**

On an engine with a two pole electrical system, connect the other end of the jumper cable to the negative pole (-) of the booster battery.

3. Start the engine following the starting procedure.
4. Let the engine run at idle for few minutes to charge the battery.
5. Stop the engine and remove the cables in the exact reverse order from installation.

## Panel with key

1. Move the control lever to the neutral position.
2. Push the manual stop control (if fitted).
3. Insert the key in the **ON/STOP** starter switch.
4. Turn the key a quarter-turn to the right. All the warning lamps come on and the acoustic alarm sounds. After a few seconds, only the **ENGINE OIL PRESSURE** and **BATTERY CHARGE LAMPS** remain lit.
5. Press the **START** button halfway to start preheating. Hold the button for 5 to 15 seconds, depending on ambient temperature to preheat the engine.
6. Press fully to start the engine. Once the engine has started, release the button, all lamps go out.
7. If the engine is fit with water cooled exhaust elbow, check that water flows from the exhaust outlet at the hull. If the water does not flow, stop the engine and check the raw water system.

## Panel without key

1. Switch the key of the main panel to ignition (if equipped).
2. Move the control lever to the neutral position.
3. Push the manual stop control (if fitted).
4. Press the **ON/STOP** button. All the warning lamps come on and the acoustic alarm sounds. After a few seconds, only the **ENGINE OIL PRESSURE** and **BATTERY CHARGE LAMPS** remain lit.
5. Press the **START** button halfway to start preheating. Hold the button for 5 to 15 seconds, depending on ambient temperature to preheat the engine.
6. Press fully to start the engine. Once the engine has started, release the button, all lamps go out.
7. If the engine is fit with water cooled exhaust elbow, check that raw water flows from the exhaust outlet at the hull. If the water does not flow, stop the engine and check the raw water system.

## During operation

### ⚠ CAUTION

Never press the **START** button when the engine is running.

Check the instruments and warning lamps after starting, and regularly when cruising.

## Cruising speed

A recommended engine speed is given in the chapter **TECHNICAL DATA** to help you to set your cruising speed.

**NOTICE:** Always consider sailing conditions and load of the boat to set the cruising speed.

Operating the engine at wide open throttle should be avoided since it is both uncomfortable and uneconomical.

Note that operating the engine at a too low rpm for a long period could lead among other things to increased oil consumption.

Deposits may also form in the injection system if the engine do not reach its nominal operating temperature regularly. Run the engine at full throttle regularly in order to burn off any possible deposits in the fuel system.

## Manoeuvring

### ⚠ WARNING

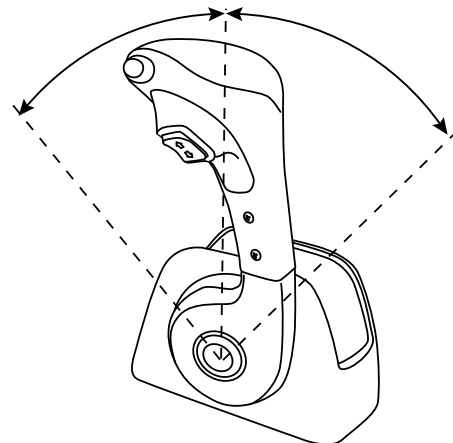
Shifting at high speed can damage both the engine and the transmission and be dangerous for passengers.

### ⚠ CAUTION

On a twin engine boat, both engines should be started during reversing manoeuvres to reduce the risk of water ingress in the stationary engine.

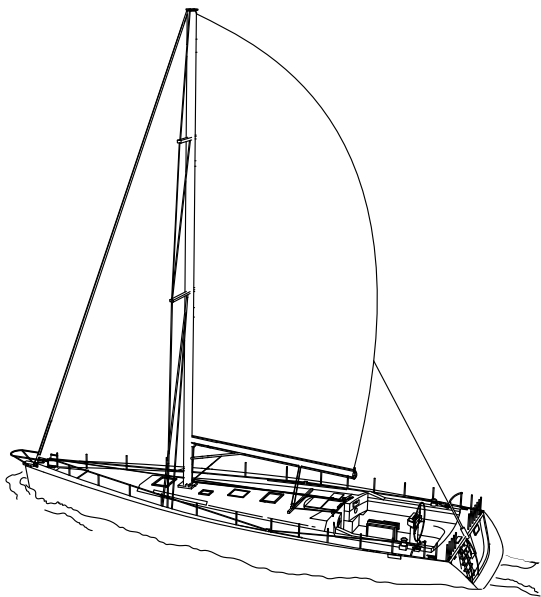
Carry out the following operations for forward / reverse manoeuvres:

1. Reduce engine speed to idling and, if possible, let the boat lose most of its speed.



2. Move the control lever to the neutral position and wait a few seconds.
3. Move the control lever into astern. Increase the speed.

## Sailing with the engine stopped



If the engine is fitted with a Sail Drive transmission **MODEL SP60**, when cruising under sail with the engine stopped:

*If the blades of the propeller are foldable:*

- Put the throttle lever astern (in reverse). The blades are closed when the boat moves forward. Hydrodynamic resistance created by the blades is minimized.

*If the blades of the propeller are not foldable:*

- Put the throttle lever astern (in reverse). The propeller does not rotate and create hydrodynamic resistance.
- Put the lever in neutral, the propeller rotate and create lower hydrodynamic resistance than in astern.

### ⚠ CAUTION

\* Sailing with the engine stopped and the lever in neutral must not exceed 6 to 7 hours in a row. The propeller can drive the rotation of the shaft and damage the transmission. Run the engine for 15 minutes to lubricate the transmission at least every 6 hours.

\* Whatever the type of propeller and transmission, never sail with the engine stopped in forward gear (in ahead).

\* Under sail, close the seacock if the boat is able to reach a speed above 8 knots. Water can force one's way through the raw water intake and fill the exhaust system. Don't forget to open the seacock again before restarting the engine.



# Stopping the engine

## ⚠ CAUTION

Never stop the engine by using the main switch. This could damage the electrical system.

Before stopping the engine, let it run at idle in neutral for few minutes, especially if the engine has been operated at high speed and load. This will allow the coolant to cool down the engine.

1. Start the fan in the engine compartment (if fitted) or open the hold.
2. *If the boat is fitted with a mechanical stop control:* Pull and hold out the stop command until the engine has stopped. Push the stop control. Turn the key on the panel counter-clockwise.
3. *If the boat is fitted with electric stop function:* Turn the key in the starter switch counter-clockwise, the engine stops and all indicators turn off. The engine stops, all lamps go out. For panel without key, press the **ON/STOP** button and release it. The engine stops. Turn the key of the main panel counter-clockwise. All indicators turn off.

## ⚠ CAUTION

Even after the engine has stopped, some components and fluids remain hot and pressurised for several minutes. As far as possible, limit work on the engine immediately after stopping it, when it is hot.

After the engine has stopped:

1. Switch off the main switch.
2. Close the sea cock and the fuel cock.
3. Inspect the engine compartment and check for any leaks.

## ⚠ CAUTION

\* If the boat is being towed, stop the engine and close the sea cock to prevent the engine from being filled with raw water.

\* On boats with twin engine, if cruising with a single engine, close the sea cock of the stopped engine.

Do not forget to open the sea cock before restarting the engine.

## Anchoring

When the boat is at anchor or in port for extended period, vegetation may develop on the hull, the keel, the drive, the rudder, the propeller, etc. It will significantly affect the behaviour of the boat and the performance of the engine if the vegetation is not removed before the next time the boat is used.

Vegetation and fouling can also obstruct the raw water system and result in damage to the engine by overheating.

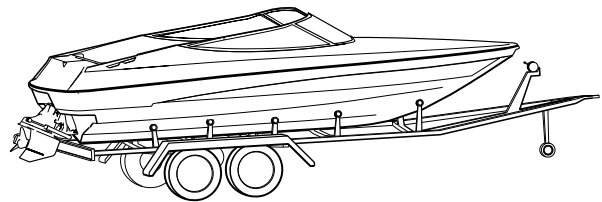
Inspect and clean the boat and the raw water system each time the engine is used. Clean if necessary. If the boat is put out of water, clean the hull and spray a coat of anti-fouling. Never paint the anodes.

Furthermore, when the boat is at anchor or in port for extended period, water can fill the exhaust system via the exhaust outlet. It is necessary to drain regularly the waterlock when the boat is at anchor.

## Storage

If the boat is being left in the water while not in use for few weeks, the engine must be controlled and run few minutes every 10 days.

If the boat will not be used for more than 2 months, special set of operations must be performed on the engine and the transmission. Refer to the chapter **LONG-TERM STORAGE**.



To prevent damages due to freezing, the cooling systems (raw water and coolant) must be drained when there's a risk a frost. Refer to the corresponding chapters in the section **MAINTENANCE** and to the chapter **LONG-TERM STORAGE**.

**ALL THESE OPERATIONS SHOULD BE CARRIED OUT BY A NANNI AUTHORIZED WORKSHOP.**



**⚠ WARNING**

\* As far as possible, perform maintenance operations with the engine stopped, remove the key from the panel and turn off the power supply.

\* Read this whole chapter and all safety precautions before starting any maintenance work. Make sure you understand how to perform every operation.

This manual only describe preventive maintenance operations to be carried out by the owner/operator of the engine. Carrying a set of preventive maintenance operations in accordance with the service intervals will ensure engine optimal reliability and service life.

During the warranty period, it is essential that all work is carried out by a Nanni authorized workshop. Furthermore, all servicing should be registered in the Nanni after-sale system.

However, some regular checks, particularly those made each time the engine is used, can only be carried out by the user. Few other operations are explained further on so that you can work on the engine in an emergency or if there is no repair centre nearby.

We recommend to have all your works checked by a Nanni authorized workshop.

Independent repair and adjustment work on the engine beyond a limited scope is forbidden for safety reasons.

Improper work endangers the person working on the engine and the others. Particularly operations on valve timing and injection system.

**NOTICE:** The service intervals and relevant informations concerning the preventive maintenance of the transmission are indicated in the user manual provided by the manufacturer of the transmission. Contact your Nanni dealer for further information regarding the maintenance of the transmission.

The hourmeter displays the operating hours of the engine.



# Service schedule

**NOTICE:** An operation requiring service every day requires service after 100 hours or every year, and so on. Some components may not be part of the engine ordered.

Operations marked with ► should be done in a Nanni workshop.

\* Operations to perform after 20 operating hours or 45 days after commissioning.

## ***BEFORE OPERATING THE ENGINE***

- Check the engine & transmission oil level. Top up if necessary \*.
- Check the coolant condition and coolant level. Top up if necessary \*.
- Check the raw water filter and clean as necessary \*.
- Drain water from the fuel prefilter \*.
- Check the condition of the battery \*.
- Check the warning lamps of the instrument panel \*.
- Control and adjust general water tightness \*.
- Check the stuffing box condition \*.

## ***EVERY 100 OPERATING HOURS / AT LEAST EVERY YEAR***

- Clean the air filter. Change if needed.
- Change the fuel filter \*.
- Check the condition and the tension of the belts. Change if needed\*.
- Check the anodes. Change if needed\*.
- Check and tighten the electrical connections & cables, the clamps and screws \*.
- Remove the sediment from the fuel tank and drain the fuel tank.
- Check the control unit, the condition of the cables, grease the cables \*.



**EVERY 200 OPERATING HOURS / AT LEAST EVERY YEAR.**

- Change the engine and transmission oil \*.
- Change the oil filters \*.
- Change the fuel filters \*.
- Check the raw water pump impeller. Change if needed.
- Check the engine flexible mountings. Adjust as necessary \*.
- ▶ Clean the Turbo Wastegate.
- ▶ Clean and touch up the paintwork as necessary.

**EVERY 400 OPERATING HOURS / AT LEAST EVERY 2 YEARS.**

- ▶ Change the thermostat of the heat exchanger.
- ▶ Change the heat exchanger filler plug.
- ▶ Drain and change the coolant. Clean the coolant system.
- ▶ Check and clean the heat exchanger tube stack. Change the O-ring.
- ▶ Check and clean the air cooler tube stack. Change the O-ring. Check and clean the transmission oil cooler tube stack.
- ▶ Check the fuel injection nozzles. Change if needed.
- ▶ Check cold valve clearance.
- ▶ Check and clean the Turbo

# General inspection

## ⚠ CAUTION

Do not let oil, fuel or grease deposits build up around the engine as they may increase the risk of fire in the engine compartment.

Make a habit of visually checking the engine and its compartment each time you operate the boat, before starting the engine: check for fuel, water or oil leaks, check the tightness of the different clamps and bolts, the condition of the belt, hoses and electrical wirings, the wear of anodes (if fitted) and the battery electrolyte level.

## Control cables

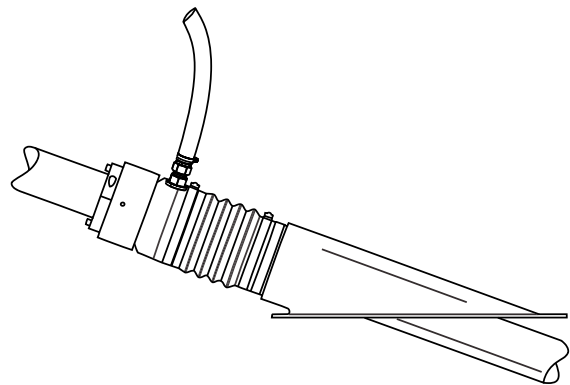
The engine rpm and the gearbox shift command are controlled by mechanical control cables connected to the control lever.

Adjust the tension of the cable if necessary. If any defect appears (rust, crack, etc), the control cable must be changed.

# Stuffing box

## ⚠ DANGER

A stuffing box lubricated with raw water taken from the engine cooling system must never be installed on a Sail boat or when the exhaust elbow is below the waterline. A separated water supply or a stuffing box lubricated by grease must be used on all Sail boat or when the exhaust elbow is below the waterline.



If the boat is equipped with a braided-type stuffing box, check the system's tightness. As this system is not absolutely tight, it is normal that a slight amount of water passes through the stuffing box. Correct operation is characterized by a drop-by-drop water intake. If too much water comes in, stop the engine and contact your Nanni dealer as soon as possible.

In any case, always make sure that the lubrication of the stuffing box is sufficient.

## Exhaust system

Inspect all exhaust system components (hoses, clamps, mixing elbow, manifold, etc.) Check for cracks, leaks and corrosion. Tight or change them if necessary.

Check for carbon or soot residue on exhaust components as it indicates an exhaust leak.

If any defect appears on component of the exhaust system, change it as there's a risk of exhaust leakage or water penetration in the engine and the boat.

## Air intake

### **⚠ WARNING**

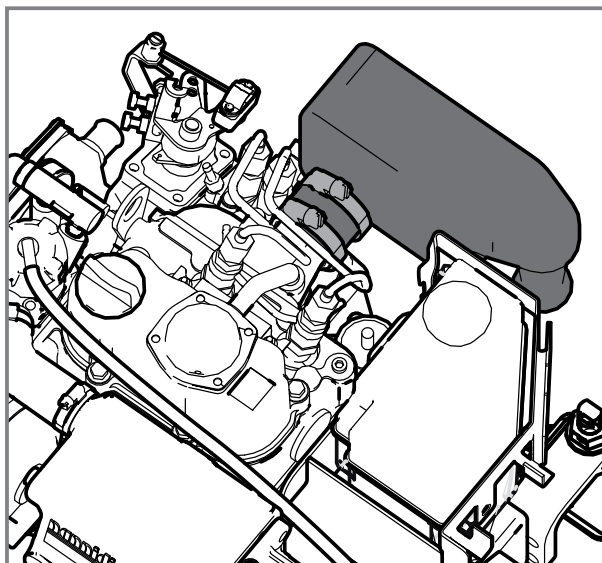
Carry out these operations when the engine is stopped and cold. Make sure that no dust or dirt enter the intake manifold.

The air filter reduces the level of noise made by the air intake and prevent particles from penetrating the intake manifold.

The reliability and the performances of the engine depend among other things on the quantity and the temperature of the intake air.

To check the air filter:

1. Remove the clamps and remove the filter.
2. Clean the inside of the filter with dry compressed air.
3. If the air filter is damaged, change it.
4. Install the filter with the clamps. Make sure the clamps are tight enough, while not damaging the filter.



# Fuel system

## **⚠ DANGER**

\* Stop the engine and let it cool down before refuelling or carrying out any operation on the fuel system.

## **⚠ WARNING**

\* Fuel is flammable and can be dangerous. Fuel spilled on hot surface or near spark can burn.

\* Do not step on the injection pipes. Always make sure they are not damaged.

## **⚠ CAUTION**

Total cleanliness must be guaranteed when working on the fuel system. No impurities should enter the injection system. Make sure not to spill fuel on hoses.

**NOTICE:** All work on the fuel injection system must be carried out by a authorized Nanni technician.

Check regularly the condition of the components of the fuel system (hoses, filter, clamps, etc). Change it if any defect appears.

# Operation of the fuel system

The fuel is drawn from the tank by the fuel feed pump and is injected into the combustion chamber by the injection pump. A fuel filter is placed between the feed pump and the injection pump.

The injection pump delivers a larger amount of fuel than required for combustion. The fuel that is not burned is re-injected into the tank through an over-flow pipe.

## **⚠ CAUTION**

The injection pump is an extremely precise unit. Water entry in the fuel system will cause major failure to the injection pump and to the whole fuel system.

A fuel prefilter with a water separator should be installed between the fuel tank and the fuel filter on the engine. The prefilter should be installed as close as possible to the engine fuel filter. It must never be installed on the engine as vibrations affect the water/fuel separation process.

If the fuel tank is located below the engine injection pump, an additional electric fuel feed pump should be installed between the prefilter and the feed pump of the engine.

## Fuel requirements

Only use grade of fuels indicated in the chapter **TECHNICAL DATA**. Other grades of fuel can increase fuel consumption and cause operating problems, resulting in a shorter engine service life.

Use of fuel additives can result in poor performance or engine damage.

Before starting the engine, make sure that the fuel level is above the lower limit. If the fuel level is too low, add fuel to the upper limit. Do not overfill.

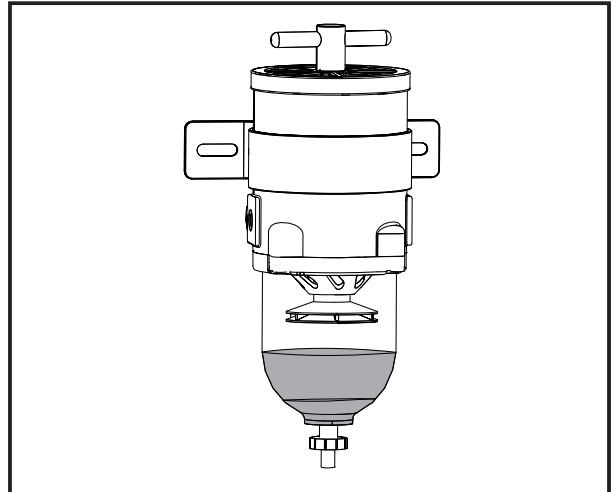
Use a strainer when filling the fuel tank. Dirt and dust in the fuel will cause trouble in the fuel injection system.

If the boat is not used for an extended period, fill the tank to the maximum level.

## Fuel prefilter

The fuel prefilter is an optional extra not in the scope of supply of the engine. The model of prefilter can vary according the boat.

**NOTICE:** Drain the water in the prefilter several hours after the engine has been stopped.

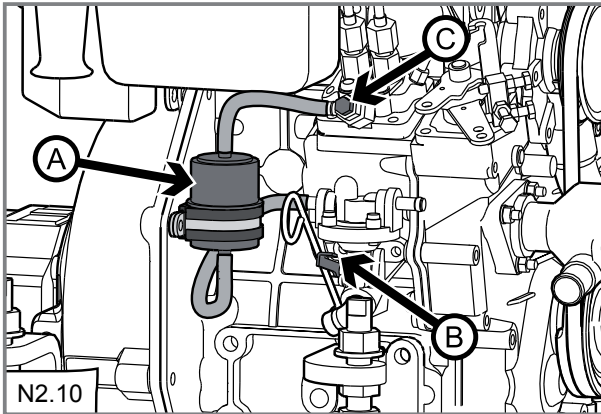


1. Close the fuel cock on the fuel tank.
2. Place a container under the fuel prefilter. Drain water and remove impurities using the cock/plug.
3. Tighten the cock/plug once the water has been drained.
4. Check the filtering element, change it if necessary.
5. Open the fuel cock.
6. If the filtering element has been changed, bleed the fuel system. Start the engine and check for leaks.

## Replacing the fuel filter

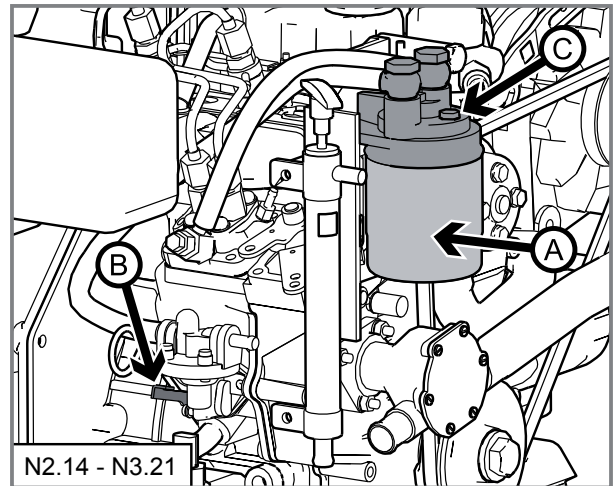
**NOTICE:** Do not fill the new filter with fuel before assembly.

### ENGINE MODEL N2.10:



1. Close the fuel cock. Clean the filter bracket.
2. To avoid fuel leakage, clamp off the fuel supply line near the filter.
3. Disconnect the hoses. Clean-it.
4. Remove the fuel filter **A**. Put a plastic bag over the filter to prevent leakage on the engine.
5. Replace the fuel filter with the arrow on the fuel filter housing indicating the direction of fuel flow. Reconnect the pipes to the fuel filter.
6. Remove the clamps from the hoses.
7. Open the fuel cock and bleed the air in the fuel system.

### ENGINE MODEL N2.14 & N3.21



1. Close the fuel cock. Clean the filter bracket.
2. Put a plastic bag over the filter to prevent leakage on the engine.
3. Remove the fuel filter **A**. Use a filter wrench if needed.
4. Check and clean the sealing surface of the filter bracket. Apply film of fuel on the seal.
5. Screw the new filter by hand until the seal touch the matting surface. Screw a further half turn.
6. Open the fuel cock and bleed the air in the fuel system.

## Air bleeding

Bleeding the air in the fuel system is necessary :

- After a maintenance operation on the fuel system.
- If the fuel tank has been emptied.
- The engine has not been started for a long time.

To bleed the fuel system **IF IT IS NOT FITTED** with an electric pump:

1. Fill totally the fuel tank. Open the fuel cock.
2. Loose the venting screw **C** . Use rags around the venting screw.
3. Pump the fuel using the lever **B** until fuel free of air bubbles flows from the venting screw.

**NOTICE:** If the lever is too hard to operate, turn the crankshaft a fraction of a turn.

4. Continue pumping and at the same time tighten the venting screw.
5. Pump few other times to prime the system.

To bleed the fuel system **IF IT IS FITTED WITH AN ADDITIONAL ELECTRIC FUEL FEED PUMP** :

1. Fill totally the fuel tank. Open the fuel cock.
2. Loose the venting screw **C** . Use rags around the venting screw.
3. Start the engine for 5 to 10 seconds to let the electric fuel feed pump bring fuel to the injection pump.
4. Pump the fuel using the lever **B** until fuel free of air bubbles flows from the venting screw.
5. Continue pumping and at the same time tighten the venting screw.
6. Pump few other times to prime the system.

### **CAUTION**

Avoid draining all fuel in the filter





# Lubrication system

## **⚠ DANGER**

Carry out these operations with the engine stopped and cold. Remove the key and switch off the main switch to prevent accidental starting. Hot oil and hot surfaces can burn.

## **⚠ CAUTION**

- \* Never operate the engine if the oil crankcase has been over-filled. Drain the oil if too much oil has been added.
- \* Observe the recommended type of oil for the transmission.

**NOTICE:** With a new or reconditioned engine, oil and oil filters must be changed after 20 hours of operation. Use oil grades quality indicated in the chapter **TECHNICAL DATA**. Warranty claims may be rejected if unsuitable oil grade has been used.

The viscosity may be adapted depending the climatic conditions.

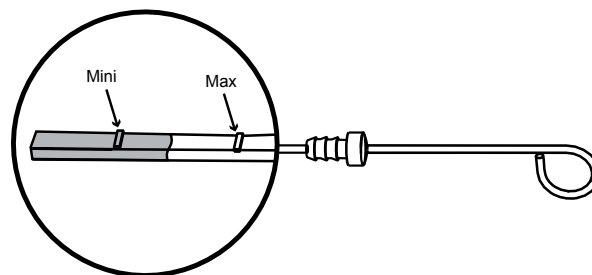
## Oil level- Adding engine oil

Check the engine and transmission oil level before starting the engine. Always make sure that the level is in the safe range.

The oil level should be within the range indicated on the dipstick, between the Mini and Max level.

To check the oil level:

1. Remove and wipe the dipstick.
2. Re-insert and remove the dipstick. Check that the oil level is between the Mini and Max mark.



If the level is too low, remove the oil filler plug and add oil slowly. Wait few minutes before checking the oil level to let the oil drain down to the oil pan.

## **⚠ CAUTION**

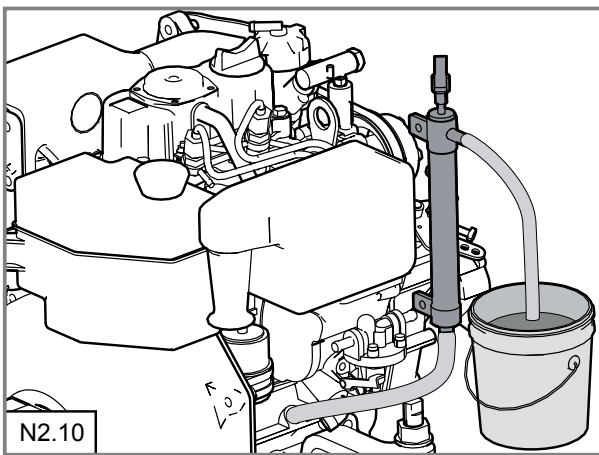
Do not fill the crankcase above the maximum level indicated on the dipstick. Do not operate the engine if the oil level is below the Mini mark or above the Max mark.

**NOTICE:** Completely drain the previous oil before adding new engine oil. Never mix different type of oil.

## Draining the engine oil

1. Start the engine and let it warm few minutes so that oil suction is easier.
2. Stop the engine and remove the key from the panel.
3. Connect a disposal hose to the drain pump and place a container under the disposal hose.

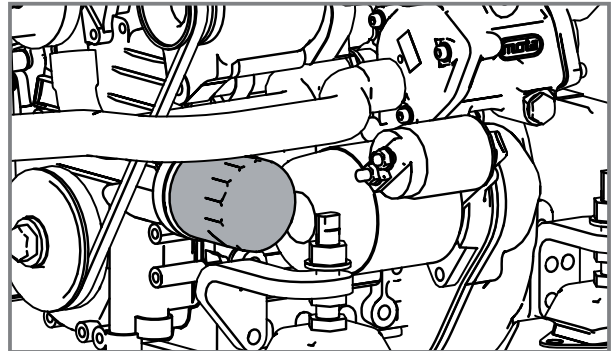
**NOTICE:** On the engine model N2.10, the oil pump has to be connected to the dipstick port.



4. Suck out all the oil using the oil drain pump. Remove the drain hose and lock the pump.
5. For the N2.10, remove the oil pump and reinsert the dipstick.

## Changing the oil filter

Change the oil filter each time the engine oil is drained.



1. Remove the oil filter with a filter wrench. Turn the filter counter-clockwise. Remove the gasket.
2. Clean the mating surface in order to prevent impurities from entering the engine.
3. Apply a film of oil on the new gasket. Screw the new filter by hand with the new gasket. When the gasket contacts the mating surface, turn the filter a half turn.
4. Fill with correct amount of new oil. Check for leaks and check the oil level.
5. Start the engine and let it operate few minutes at idle. Check that the oil pressure warning lamp goes out.
6. Stop the engine, wait for the engine to cool down and check the oil level. Top up if necessary. ■

# Cooling system

## Overview

The cooling system cools the engine in order to maintain a proper operating temperature and prevent overheating. On some engines, the cooling system also cools the fuel, the oil or the intake air. The cooling system is made of two circuits:

- The **COOLANT CIRCUIT** which is the engine's internal cooling system. It's a closed-circuit in which coolant flows and cools the engine.
- The **RAW WATER CIRCUIT** which cools the coolant via heat exchange with raw water. Nanni engines comes as standard with an heat exchanger, in which the coolant is cooled by heat exchange with raw water taken from a sea cock. A Keel Cooling system can also be used to cool the coolant instead.

A thermostat maintains the coolant at a proper and constant operating temperature. With thermostat control, the coolant only enter the heat exchanger when the engine reach a certain temperature.

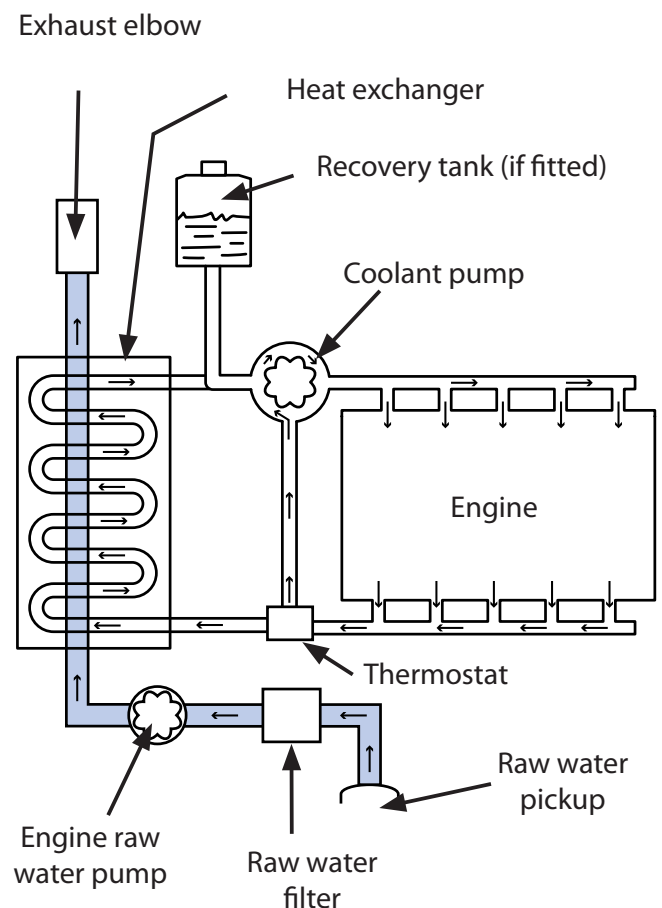
### ⚠ CAUTION

\* Engines with heat exchanger are not suitable for a Keel Cooling system.

\* Operating the engine without coolant or raw water supply, even for few seconds, will lead to complete engine failure.

## Operation principle of the cooling system

Operation principle of an engine with heat exchanger:



## Coolant

### **⚠ CAUTION**

\* Always use coolant made of 50% antifreeze with anticorrosion additive and 50% of clean water. The antifreeze protects the engine against internal corrosion.

\* This mix must be used all year around, even if there is no risk of frost.

\* Never use water alone to completely fill the coolant system.

### **CLEAN WATER**

Use clean soft water, distilled water or tap water to mix with antifreeze. Natural water generally contains minerals and sometimes salt, which can oxidize metal and accelerate corrosion process.

### **ANTI-FREEZE**

Never use poor quality antifreeze. The main components of the antifreeze can corrode metal, gathering rust in the cooling system over an extended period. Poor quality antifreeze has poor content of corrosion preventive. The content further becomes less potent with the dilution of water.

Choose additive that will not have any adverse effects on the materials of the cooling system. Never mix different additive as it may cause chemical reactions and therefore malfunctions.

### **WATER BOILER**

A water boiler can be connected to the engine coolant circuit.

If the boiler is located above the engine, an additional recovery tank must be installed above the boiler.

The amount of coolant must be adapted depending the model of water boiler to completely fill the coolant system.

### **COOLANT EXPANSION**

When it heats, the coolant expands and takes up a higher volume.

A recovery tank mounted on the engine allows to compensate this expansion.

### **⚠ CAUTION**

The recovery tank mounted on the engine must never be moved from its original location without prior authorization from Nanni Industries S.A.S. France.

## Coolant level

### **⚠ DANGER**

Never open the coolant filler cap or any plug of the cooling system when the engine is operating or warm. Steam or hot fluid can spray out.

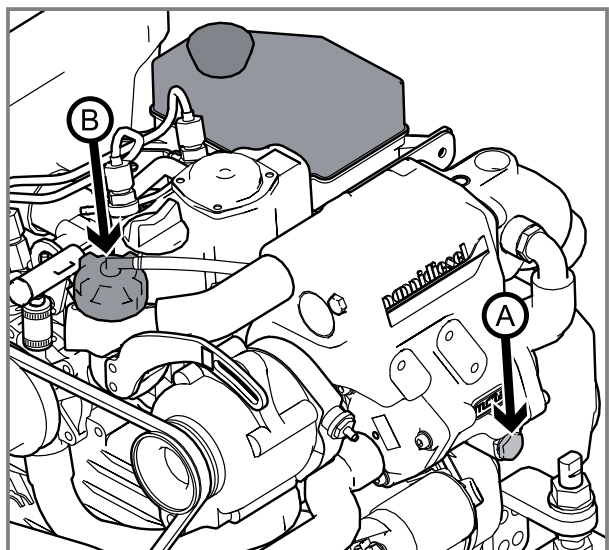
Always check the coolant level before starting the engine.

1. Stop the engine and remove the key from the panel.
2. Turn the coolant filler cap slowly to the first stop and let any pressure escape from the system then remove the cap.
3. Coolant level should lie between the filler neck lower edge and the level spur.
4. Top-up using clean water only.
5. Reinstall the coolant filler cap.
6. Check the coolant level in the recovery tank (if fitted). It should lie between the Min and Max mark of the recovery tank. Add clean water if necessary.

**NOTICE:** The Min and Max level indicated on the recovery tank (if fitted) does not indicate the correct level of coolant.

## Draining the coolant circuit

1. Stop the engine and remove the key from the panel.
2. Put a container under the heat exchanger drain plug **A** to collect coolant.
3. Remove the cap **A** and the plug **B**.
4. Drain off all coolant. Drain off the recovery tank and the hoses.
5. Insert a hose into the heat exchanger filler port **B**. Rinse with fresh water until water which flows from the drain port **A** is clean.
6. Reinstall the drain plug **A** and fill with coolant to the correct level.

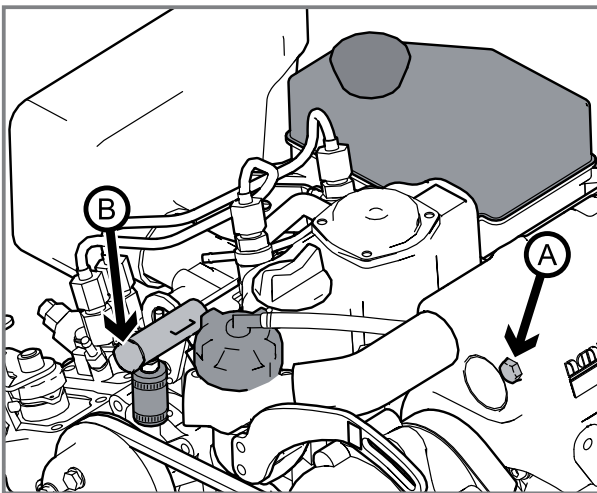


## Coolant - Filling

Mix the anti-freeze with water in a clean container before filling the heat exchanger. The coolant must be totally free from dust. Fill the exchanger slowly not to introduce air into the coolant system.

Refer to the chapter **TECHNICAL DATA** to know the coolant capacity of the heat exchanger. For Keel Cooling system or when using a water boiler, the coolant capacity must be adapted according to the pipes length and the tank capacity.

To fill the coolant system :



1. Remove the vent plugs **A** and **B**.
2. Remove the coolant filler cap and fill the exchanger with coolant.
3. Replace the vent plugs when coolant runs out from the drain openings.
4. Fill the exchanger with coolant to the correct level.

5. Replace the coolant filler plug and add coolant in the recovery tank if necessary.
6. Start the engine and let it operate few minutes at idle.
7. Stop the engine. Wait few minutes and check the coolant level. Top up if necessary.



## Raw water system

### **⚠ DANGER**

When the boat is in the water, water can flow into the boat via components located below the waterline. Close the raw water cock (if fitted) or prevent water discharge before working on this raw water system.

The raw water system allows to cool the engine coolant and the exhaust gas.

Raw water is drawn into the heat exchanger by the raw water pump of the engine. The raw water is discharged via the exhaust elbow, where it is mixed with exhaust gases.

Engines designed for a Keel Cooling system are generally not fitted with raw water system components (raw water cock, heat exchanger, etc). In Keel Cooling system, the coolant heat is dissipated by passing through tubes incorporated to the hull.

**NOTICE:** If there's any risk of frost, raw water system should be drained.

## Siphon breaker

### **⚠ DANGER**

Close the sea cock before any operation on the siphon breaker.

**NOTICE:** The use of a siphon breaker is mandatory if the exhaust elbow is under the waterline at full load or at less than 200 mm above it. A siphon breaker is mandatory in all Sail Boat and when there's a risk of water entry in the engine.

The siphon breaker prevents raw water entry into the cylinders via the raw water/exhaust system.

To operate correctly, the siphon breaker should clean twice a season, or when leakage appears.

### **⚠ CAUTION**

A faulty operation of the siphon breaker will lead to water entry in the engine.

Inspect it regularly and clean it following the instructions given by the manufacturer.



## Raw water pump impeller

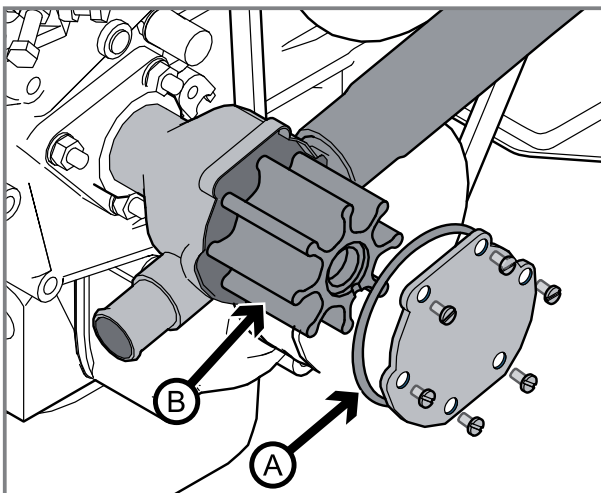
### ⚠ CAUTION

If the engine has been run without supply of raw water, check the raw water pump impeller. Change it if needed.

The raw water pump impeller is an essential component of the engine. It should be changed regularly along with the seal. A worn impeller could crack and damage the cooling system. Always have a spare raw water pump impeller on board.

**NOTICE:** The service life of the raw water pump impeller vary depending the operating conditions.

To extract the impeller:



**1.** Stop the engine, remove the key from the panel and close the sea cock.

**2.** Remove the cover of the raw water pump.

**3.** Remove the gasket **A**.

**4.** Mark the position of the neoprene impeller **B** inside the pump in order to install it in the correct position in case of reinstallation.

**5.** Carefully remove the impeller using an extractor.

**6.** Inspect the impeller. Check for damaged, cracked, broken missing or flattened vanes. Change the impeller if it is damaged. Clean and drain the raw water system if parts of the impeller are missing.

**7.** Inspect the cover and the gasket for corrosion or damage. Change it if they are damaged.

**8.** Lubricate the inside of the pump and the cover with waterproof grease for rubber.

**9.** Install the impeller. If reinstalling the old one, place it at the same location using the mark done previously. Rotate the impeller in the same direction as the engine rotation. Lubricate the impeller with waterproof grease for rubber.

**10.** Install the gasket and the cover on the pump housing.

**11.** Open the sea cock, check for leaks. Prime the raw water system by adding water through the raw water filter if necessary.

**12.** Start the engine and check for leaks.

## Cleaning the raw water filter

A raw water filter must be fitted between the raw water intake and the raw water pump of the engine.

The model of prefilter can vary according to the boat as the raw water filter is an optional extra not in the scope of supply of the engine.

These instructions are given as an example only.

Check the raw water filter more regularly than indicated in the service schedule if the boat is used in water with a lot of dirt and/or mud.

To clean the filter:

1. Stop the engine, remove the key from the panel and close the sea cock.
2. Check the condition of the raw water filter. If deposits have formed, screw off cover and remove seal plate.
3. Remove all the contaminants. Rinse the filter and the housing with fresh water and check the condition of the seal.
4. Reinstall all the components and open the sea cock. Start the engine and check for leaks.

**NOTICE:** When the boat is out of water, check that the through-hull is not obstructed by mud or algae.

## Raw water system - Draining

### **WARNING**

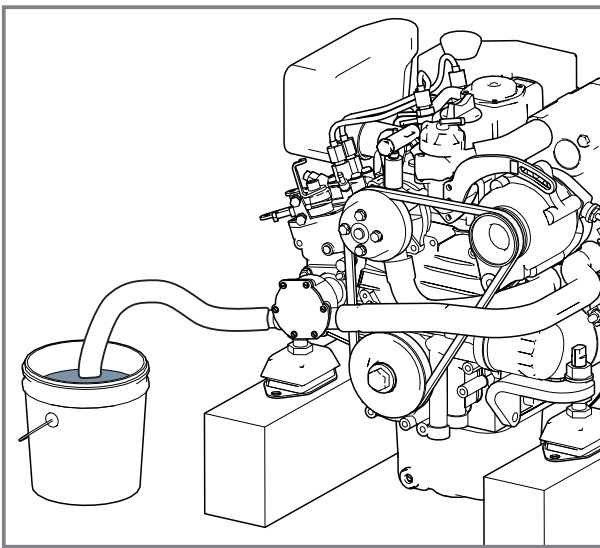
It is highly recommended to carry out these operations when the boat is laid up on land. If the boat cannot be removed from the water, close the sea cock and prevent water entry by any means.

1. Stop the engine, remove the key from the panel and close the sea cock.
2. Remove the cover of the raw water pump.
3. Remove the cover and the seal from the raw water filter.
4. If a siphon breaker is fitted, drain it following the manufacturer's recommendations.
5. Drain the cooling system of the transmission lubrication circuit (if fitted).
6. Drain the waterlock and any other equipment connected to the raw water and exhaust system.
7. Reinstall correctly all components. Open the sea cock and check for leaks. Prime the raw water system by adding water through the raw water filter if necessary.

## Raw water system - Cleaning and inhibiting

The raw water system must be flushed with fresh water to prevent the buildup of deposits and salt crystals in the circuit. It must also be protected against corrosion and frost when performing long-term storage.

1. Stop the engine and close the sea cock.
2. Disconnect the hose on the outlet side of the raw water filter.
3. Place the free hose in a container filled with fresh water. Ensure the tank is large enough as the raw water pump must never be run without water.



4. Check that no one is in the vicinity of the engine, the propeller and the exhaust outlet. Put the lever in neutral and start the engine.
5. Let the engine run few minutes at idle. Add fresh water in the container if necessary.

6. Stop the engine.
7. Fill the container with engine coolant mix (50% clean water, 50% anti-freeze).
8. Start the engine and let it run at idle. Add enough coolant to fill the raw water system with coolant.
9. Stop the engine before the container is empty.
10. Reconnect the hose.
11. Drain the coolant before the next time the engine is used.

### ⚠ **WARNING**

Check for leaks before the next engine start.

### ⚠ **CAUTION**

When preparing the engine for long term storage, if the engine is likely to be subject to frost, drain all water and coolant in the cooling systems.

# Electrical system

## **⚠ DANGER**

Stop the engine and switch off the main switches to break the current before working on the electrical system. Isolate shore current to any accessories mounted on the engine.

## **⚠ CAUTION**

The main switch should always be switched ON when the engine is operating. Never disconnect the lead between the alternator and the battery when the engine is operating.

## Wires and connectors

Check that electrical wires and connectors are dry and in good conditions.

The engine extension harness should be away from any water projection and must be correctly attached as high as possible in the hold. Change it if any defect appears.

Tighten the cable terminals and lubricate them with appropriate grease.

# Fuses

The engine electrical system is protected from electrical overload damage by fuses.

If the electrical system does not work, the engine does not start or the instruments panel don't operate, a fuse may have trip.

Investigate the cause before resetting the fuse. Always have spare fuses on board. Replace a blown fuse with one of the same rating.

## **⚠ CAUTION**

If the replacement fuse blows, this indicates an electrical problem. Don't start the engine, except in case of emergency, and contact a Nanni workshop.

## Boats with metallic hulls

Engines in metallic hulls are generally fitted with a two-pole electrical system. This system allows to electrically isolate the engine from the electrical ground of the boat.

Contact your Nanni dealer for more informations.

# Battery

## **⚠ DANGER**

\* Never touch the battery electrolyte. The diluted sulphuric acid solution burns skin and make holes in clothing. Should this occur, immediately wash it off with plenty of clean water and obtain medical assistance without delay.

\* Disconnect the battery leads before carrying out any soldering work on metallic hull.

Always read the manufacturer recommendations before operating the battery.

Battery should be kept clean and dry. Oxidation or the deposit of impurities on the battery and on its terminals may lead to short circuits, voltage drops and premature discharging, notably in wet weather. Use a brass brush to clean battery terminals.

When **DISCONNECTING** the cables, always disconnect **FIRST** the **NEGATIVE LEAD (-)**, and then the **POSITIVE (+)**.

Always **CONNECT FIRST** the **POSITIVE LEAD (+)** to the **POSITIVE TERMINAL (+)** of the battery, and then the **NEGATIVE (-)**.

Use distilled water to top up the electrolyte level. Follow in priority the battery manufacturer instruc-

tions for topping up. If the battery electrolyte level is not adjustable (maintenance free battery type), do not use or charge the battery if the fluid level stands below the lower limit level.

When adding electrolyte, unscrew the vent plugs but leave them in their holes.

## **⚠ DANGER**

Check that the battery compartment is well drained and ventilated. When charging, battery produces hydrogen which is extremely explosive.

If the battery is replaced, use a battery with similar specifications to the previous one.

To simultaneously charge two independent battery with a single alternator, an isolator is available as an option on most engines. Contact an authorized Nanni dealer.

## **BATTERY STORAGE**

When storing the engine, adjust the battery electrolyte level and store it in a dry place. Recharge the battery as often as possible to extend its service life.

## Alternator belt

### **⚠ DANGER**

Stop the engine and remove the key before servicing the alternator belt.

Always keep a replacement belt on-board.

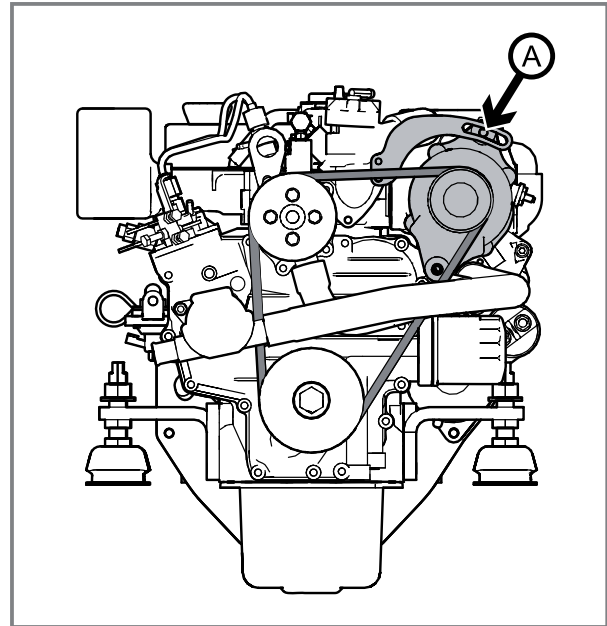
The alternator belt drives both the coolant pump and the alternator. Additional belt can also be fitted.

A loosen or damaged belt can result in overheats or insufficient alternator charging. A belt that is too tight can damage the bearings in the pump and the alternator.

Visually check the belt for excessive wear, frayed cords, etc. If any defect has been found, change the belt. Check that it fits properly in the pulley.

Also check its tension. The deflection must be of between 8 to 10 mm when pressing the belt with the hand between two pulley when the belt is warm.

To adjust the belt tension:



1. Stop the engine and remove the key from the panel.
2. Loosen the alternator mounting bolt **A** and pull the alternator out until to adjust the deflection of the belt.
3. Tighten the alternator mounting bolt.
4. Check the tension after few hours of operation.





# Corrosion protection

The engine and all metal item in the boat that are exposed to water or damp can be damaged by corrosion.

There are two main categories of corrosion, which can be cumulative: galvanic corrosion and electrolytic corrosion. Both corrosion processes are a result of electric current that flow between metal items in an electrolyte such as water.

## Galvanic corrosion

Galvanic corrosion is an electrochemical reaction that create electrical current between dissimilar metals exposed to water. This current will corrode the more anodic metal.

Several factors, cumulative or not, can worsen this effect:

- High saline and/or mineral concentration in water.
- High water temperature (>25°C).
- When cruising at high speed or when there's a strong current.
- Important relation difference between the cathode and anodic surfaces.

Anodes in magnesium or zinc are generally used to protect the boat against galvanic corrosion. Due to their intrinsic nature, these anodes

will wear down in place of other metallic components.

During the first year of use, check the anodes deterioration every 3 months. During prolonged mooring near other boats or dock side, control the wear and tear of the anodes at shorter intervals. In that case, the use of additional corrosion protection might be necessary during prolonged mooring.

Depending upon operating conditions and water properties, it might be necessary to check and/or replace the anode more frequently.

### CAUTION

The anodes must never be painted or damaged. They must be changed as soon as they are corroded of more than 50%.



## Electrolytic corrosion

Electrolytic corrosion is caused by externally generated DC electrical currents that pass through a metal item to another in an electrolyte such as raw water. Electrolytic corrosion is especially due to circuit leakage currents, shore power systems or DC ground faults.

The consequences are the same as galvanic corrosion. However, the protective measures against galvanic corrosion are only partially effective against electrolytic corrosion.

To protect the engine against electrolytic corrosion, the following recommendations should always be followed:

- Electric cables must never be exposed to water or damp. They must be clamped and free from any mechanical constraints.
- If the boat is connected to shore power, the protector ground must never be in the boat. Shore power should always have a ground fault circuit breaker.
- Shore power units must be intended for marine usage.
- All equipment fitted with a protective ground terminal, the engine along with the anodes must be connected to the common ground of the boat.

### **DANGER**

For engine with a two-pole electrical system, the negative pole of the battery must never be connected to the common ground of the boat.

### **CAUTION**

The Sail Drive model SP60 is electrically isolated from the engine. Never connect the Sail Drive SP60 to the common ground or to any metal item or electrical equipment.

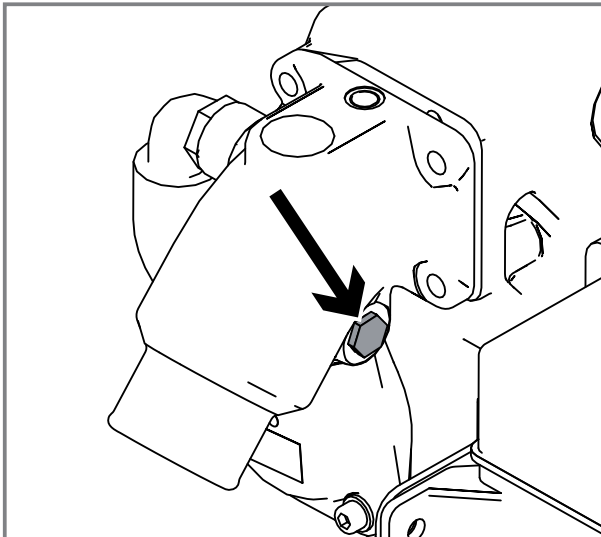
- A main switch must be connected to the positive circuit (+) of the battery. This switch must be switched off when the boat is not in use to cut off the power to all equipment.

### **WARNING**

Never switch off the power of a corrosion protection system powered by a battery.

## Engine anode

In order to protect the engine and its raw water system from corrosion, the engine is fitted with a zinc anode.



Intervals given in the service schedule are recommendations. Depending upon operating conditions and raw water properties, it might be necessary to check and/or change the anode more frequently.

To remove the anode:

### **⚠ WARNING**

Carry out these operations when the engine is stopped and cold.

1. Remove the key from the panel.
2. Close the sea cock.
3. Drain the raw water system.
4. Remove the set formed by a cap, a seal and the anode.

5. Remove the deposits from the surface of the anode using glass paper before determining the level of erosion. Do not use a soft steel brush as this could leave deposits that are likely to speed up corrosion.

6. If more than 50% of the anode has been used up, change it along with the seal.

The length of a new anode is 16 mm.

### **⚠ CAUTION**

Screw the anode cap back on tightly and do not forget to re-open the sea cock.



# Long term storage

A set of operations must be performed to prepare and protect the engine for a long-term storage.

Refer to the corresponding chapter in the **MAINTENANCE** section to perform some of these operations. We recommend that you have all these operations carried out by a Nanni authorized workshop.

**NOTICE:** It might be necessary to adapt these operations depending the climatic conditions. Contact a Nanni authorized workshop for further informations.

For prolonged storage (>12 months), a specific set of measures must be performed. All these operations should be carried out by a Nanni authorized workshop.

## **CAUTION**

\* If the engine is likely to be subject to frost, drain all coolant and water in the coolant and seawater circuits. Indicate by any means that there is no coolant in the engine.

# Long term storage procedure

Complete the nearest periodic maintenance inspections and operations before performing the long term storage procedure.

1. Drain and change the engine and transmission oil.
2. Change the engine oil filter.
3. Change the fuel filter and pre-filter.
4. Run the engine to normal operating temperature.
5. Stop the engine and take the boat out of water.
6. Drain, clean and inhibit all components of the seawater system.
7. Remove the impeller from the seawater pump (if fitted). Store it in a cool and dry place. Indicate by any means that the impeller has been removed.
8. Check the engine coolant level and condition. Top up if necessary.
9. Drain any water and contaminants from the fuel tank.
10. Fill totally the fuel tank.
11. Remove the air filter. Secure all air intake with clean clothes.
12. Clean the engine. Repair any damaged areas of paintwork with Nanni original paint.

**⚠ CAUTION**

Do not point a high pressure water jet toward seals, hoses, grommets, etc.

- 13.** Clean the hull, the hold and the drive (if fitted).
- 14.** Check all control cables. Use grease and rust inhibitor to protect the cables.
- 15.** Disconnect battery leads. Adjust electrolyte level if necessary. Charge the battery. Store the battery in a dry place.
- 16.** Release belts tension.
- 17.** Spray the engine with water-repellent product.
- 18.** Remove the propeller for storage. Check the overall condition of all components of the propulsion system.

## **Restarting the engine**

- 1.** Perform external cleaning of the engine and control its condition.
- 2.** Drain and change the engine and transmission oil.
- 3.** Change oil filters.
- 4.** Drain the coolant from the seawater system.
- 5.** Check the condition of the raw water pump impeller. Change it if needed. Install the impeller.

- 6.** Remove cloth and tape from openings. Install the air filter.
  - 7.** Close/Tighten all plugs and drain cocks.
  - 8.** Check the condition of hoses and clamps.
  - 9.** Check the engine coolant level and its condition. Top up if necessary.
  - 10.** Connect fully charged batteries.
  - 11.** Check the anodes.
  - 12.** Install the propeller.
  - 13.** Check the operation of the control cables and their condition.
  - 14.** Check belts. Adjust the tension.
  - 15.** Bleed the fuel system.
- Once the boat is in the water:
- 16.** Open the sea cock and prime the seawater system (if fitted).
  - 17.** Start the engine. Check for leaks and correct operation.



## 8

## TROUBLESHOOTING

If the engine does not function properly, use the following chart to identify the cause. If the cause of trouble can not be found, contact a Nanni authorized workshop.

**NOTICE:** Some components may not be part of the engine ordered. This list is not exhaustive and is only an assistance in case of emergencies.

	PROBABLE CAUSES
The engine fails to start	1, 2, 3, 4, 5, 6, 7, 8, 9, 10, 11, 13
The engine starts but suddenly stops	1, 2, 3, 4, 5
The engine is difficult to start	1, 2, 3, 4, 5, 6, 8, 9
The starter motor is not turning or turn slowly	8, 9
The starter motor turns but the engine does not start	1, 2, 3, 4, 5, 6, 7
The engine does not reach its rated speed at wide open throttle	2, 3, 4, 5, 6, 7, 12, 14, 15, 16, 17, 26, 28
The engine operate unevenly	1, 2, 3, 4, 5, 6, 7, 14, 15, 16, 17, 18, 19, 20, 24, 28
The engine vibrates a lot	16, 27
Black exhaust smoke	4, 5, 14, 15, 16, 19, 20, 28
White exhaust smoke	4, 5, 23, 25
High fuel consumption	4, 7, 14, 15, 16, 19, 20, 22, 28
The engine overheats / coolant temperature too high	14, 15, 16, 18, 19, 20, 21, 22, 28
The control lever is hard to operate	12, 14, 15, 16, 17, 26
No shift between ahead and astern	9, 11, 12, 16, 17, 26
Battery charge warning lamp comes on	8, 9, 11, 18

The numbers refer to the possible causes indicated on the following page. \*  
Contact a Nanni authorized workshop.

- 1.** Lack of fuel
- 2.** Air in fuel system
- 3.** Fuel filter fouled or clogged
- 4.** Fuel do not meet specified standard
- 5.** Water/contaminants in fuel
- 6.** Valve clearance is wrong \*
- 7.** Low compression \*
- 8.** Insufficient battery charge / Defective battery
- 9.** Faulty electrical cables contact
- 10.** Faulty starter or starter switch \*
- 11.** Tripped fuse / Main switch is open
- 12.** Transmission is damaged\*
- 13.** Control lever not in neutral / Stop control pulled out
- 14.** Too much load on board
- 15.** Fouling on underwater hull, drive or propeller
- 16.** Defective/incorrect propeller \*
- 17.** Faulty operation of control lever / control cables
- 18.** Loosen or damaged belt
- 19.** Incorrect coolant / Low coolant level / Coolant leaks
- 20.** Cooling system does not operate correctly \*
- 21.** Faulty thermostat \*
- 22.** Sea cock valve closed / Raw water filter clogged
- 23.** Lube oil burns. Excessive oil consumption \*
- 24.** Engine oil level too low
- 25.** Engine oil level too high
- 26.** Transmission oil level too low
- 27.** Defective engine mounting \*
- 28.** Insufficient air supply \*



## 9

## TECHNICAL DATA

MODEL	N2.10	N2.14	N3.21
ENGINE CHARACTERISTICS			
Type	4 strokes Diesel		
Max. power - kW (hp)*	7.36 - 10	10.3 - 14	15.4 - 21
Number of cylinders / Arrangement	2 in line	2 in line	3 in line
Displacement (cm <sup>3</sup> )	479	479	719
Bore and stroke (mm)	67 - 68		
Air intake	Natural		
Compression ratio	23.5:1		
Idle speed - clutch disengaged (rpm)*	1050	1050	1050
Rated engine speed @ Max power (rpm)*	3000	3600	3600
Max RPM at wide open throttle (rpm)*	3220	3820	3820
Recommended cruising speed (rpm)	2400 ~ 2700	2880 ~ 3240	2880 ~ 3240
Weight without gearbox (kg)	78	83	97
Valve clearance (engine cold) - intake (mm)	0,145 ~ 0,185		
Valve clearance (engine cold) - exhaust (mm)	0,145 ~ 0,185		
Direction of rotation, view from flywheel	Counter clockwise		



MODEL	N2.10	N2.14	N3.21
<b>ELECTRICAL SYSTEM</b>			
Recommended starter battery capacity (Ah)	35 ~ 50		
Starter (kW)	0.8		1.0
Standard Alternator (V-A)	12 - 40	12 - 70	12 - 70
<b>FUEL SYSTEM</b>			
Injection system	Indirect (E-TVCS)		
Injection timing before TDC (°)	21		
Fuel injection pressure (bar)	137.3		
Specific fuel consumption (g/kWh) at wide open throttle	265	285	285
Fuel requirements	EN 590 / ASTM D975 No.2-D Never use fuels that have sulfur content greater than 1.0 %		
<b>LUBRICATION SYSTEM</b>			
Oil quality	API CF mini		
Oil viscosity (temperate climate)	SAE 15W40		
Engine oil capacity - no engine inclination (litre)	2.1	2.1	3.3
Min oil pressure at rated rpm (bar)	3.5	3.5	3.5
<b>COOLING SYSTEM</b>			
Coolant capacity - no engine inclination (litres)	2.7	2.7	4
Coolant pump flow rate at rated rpm (l/min)	23	28.8	35.5
Raw water pump flow rate at rated rpm (l/min)	15	18	18

## Note

---





***NANNI INDUSTRIES SAS***

11, Avenue Mariotte-Zone Industrielle

33260 La Teste France

Tel: + 33 (0)5 56 22 30 60

Fax: +33 (0)5 56 22 30 79

Email: [contact@nannidiesel.com](mailto:contact@nannidiesel.com)

**[www.nannidiesel.com](http://www.nannidiesel.com)**

P/N 970316081  
082013.IndA

# Moteurs marins Nanni

## Manuel d'utilisation

Modèles

**N2.10**

**N2.14**

**N3.21**



## **English**

You can download a copy of this manual in English on [nannidiesel.com](http://nannidiesel.com).

## **Français**

Vous pouvez télécharger ce manuel en Français sur notre site Web à l'adresse [www.nannidiesel.com](http://www.nannidiesel.com).

## **Italiano**

Scarica una copia del manuale in lingua Italiano sul [nannidiesel.com](http://nannidiesel.com).

## **Deutsch**

Sie können eine Kopie dieses Handbuchs in Deutsch Sprache auf [nannidiesel.com](http://nannidiesel.com).

# 1

# SOMMAIRE

<b>Introduction .....</b>	<b>1</b>	<b>Maintenance .....</b>	<b>32</b>
A propos de ce manuel .....	2	Programme d'entretien .....	33
<b>Sécurité .....</b>	<b>3</b>	Contrôle générale .....	35
Kit d'urgence .....	3	Circuit de carburant .....	37
Sécurité et mise en garde .....	3	Circuit de lubrification .....	41
Icônes de mise en garde .....	4	Système de refroidissement .....	43
Précautions de sécurité .....	5	Circuit d'eau brute .....	47
<b>Présentation .....</b>	<b>9</b>	Système électrique .....	51
A propos du moteur .....	9	Protection contre la corrosion .....	54
A propos de l'hélice .....	14	Stockage longue durée .....	57
Comportement du bateau .....	14	<b>Dépannage.....</b>	<b>59</b>
Composants du moteur .....	15	<b>Spécifications.....</b>	<b>61</b>
<b>Tableau de bord.....</b>	<b>19</b>		
Tableau standard .....	19		
Instrumentation .....	20		
<b>Utilisation .....</b>	<b>25</b>		
Avant de démarrer .....	25		
Démarrage du moteur .....	26		
En fonctionnement .....	28		
Arrêt du moteur .....	30		



Vous avez choisi un produit Nanni, merci de votre confiance.

Pour l'entretien de votre équipement, adressez-vous à un atelier agréé Nanni. Vous pouvez retrouver la liste de tous les ateliers et revendeurs agréés Nanni sur notre site Internet à l'adresse :

***[www.nannidiesel.com](http://www.nannidiesel.com)***

Les moteurs Nanni sont issus de nombreuses années d'expérience dans le développement de moteurs marins et d'équipements destinés à un usage en pleine mer. Ces équipements ont été conçus dans le but de vous faciliter la vie à bord tout en vous offrant un maximum de sécurité et une fiabilité accrue.

Avant toute manipulation, assurez-vous d'avoir en votre possession le manuel correspondant à votre moteur. La plaque signalétique vous indique la dénomination exacte de votre moteur. Si le manuel en votre possession n'est pas le bon, contactez votre revendeur agréé Nanni.

L'installation du moteur doit être réalisée par un technicien agréé Nanni en suivant les recommandations d'installation. Une installation correcte permet de s'assurer de la sécurité de l'installation et de prolonger la durée de vie du moteur.

# A propos de ce manuel

Ce manuel d'utilisation contient des informations importantes, des conseils et des avertissements. Nous vous recommandons de lire ce document avec attention et de vous familiariser avec le moteur avant de démarrer.

Pour votre sécurité et afin de prolonger la durée de vie du moteur, suivez les instructions et les mises en garde données dans la documentation fournie avec le bateau. Le non-respect de ces consignes peut entraîner des dommages matériels et/ou corporels.

Ce manuel doit toujours être dans le bateau. Il doit toujours être disponible pour toute personne utilisant, louant, empruntant ou achetant le bateau et/ou le moteur.

Tout au long du document, les symboles suivants sont utilisés pour vous guider :

→ Indique que le texte se poursuit sur la page suivante.

■ Indique la fin d'une section.

# Contenu et mise à jour

Toutes les informations et spécifications contenues dans ce manuel sont basées sur les données techniques en application au moment de la publication. Des modifications et mises à jour peuvent être introduites sans préavis de la part de Nanni.

Certaines images, schémas ou équipements décrits dans ce manuel peuvent ne pas représenter exactement (ou ne pas faire partie) de la fourniture de votre moteur. Certaines sections de ce manuel ne s'appliquent pas à tous les moteurs. Les moteurs concernés sont précisés lorsque le cas se présente.

Si des équipements supplémentaires attelés au moteur ne sont pas représentés ou ne sont pas décrits dans ce manuel, ou si vous avez des questions sur le fonctionnement d'un équipement, contactez votre revendeur agréé Nanni qui vous fournira le support et les informations nécessaires à une utilisation du moteur dans les meilleures conditions.

■

Lisez ce chapitre attentivement, il concerne votre sécurité. La plupart des accidents sont dus au non respect des règles de sécurité élémentaires. Soyez conscient des risques que peut comporter la manipulation d'un moteur et veillez à prendre les précautions nécessaires pour vous, votre entourage et l'équipement.

Lisez toutes les informations fournies avec le bateau avant de démarrer le moteur pour la première fois.

Avant chaque utilisation, assurez-vous que l'entretien du moteur et du bateau ont été réalisés selon les recommandations des fabricants et que les équipements de sécurité obligatoires sont à bord et en état de fonctionner.

## Kit d'urgence

Un kit d'urgence est disponible chez tous les revendeurs agréés Nanni.

Ce kit contient plusieurs composants permettant de réaliser des réparations simples en cas de panne.

Ayez toujours un kit d'urgence complet à bord ainsi que les outils nécessaires pour réaliser les réparations.



## Sécurité et mise en garde

Des règles générales et des consignes de sécurité sont données dans ce manuel. Elles sont indiquées comme suit :

### **DANGER**

Indique l'existence d'un risque pouvant donner une probabilité élevée de décès ou de blessure irréparable si des précautions appropriées ne sont pas prises.

### **AVERTISSEMENT**

Indique une situation dangereuse pouvant entraîner des blessures graves ou la mort.

### **ATTENTION**

Indique un rappel des pratiques de sécurité ou attire l'attention sur des pratiques dangereuses pouvant causer des blessures aux personnes, des dommages au bateau ou à l'environnement.

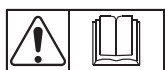
**REMARQUE :** Indique des informations importantes afin de faciliter une manipulation ou éviter des dommages matériels.



# Icônes de mise en garde

Des autocollants sont fixés directement sur le moteur. Ceux-ci ont pour but de vous renseigner rapidement sur la localisation de certains composants et de vous prévenir contre d'éventuels dangers lors d'une intervention.

Veillez à toujours garder visible ces autocollants, remplacez-les si nécessaire.



Indique qu'il est primordial de lire attentivement la notice avant toute manipulation du moteur



Localise des dangers d'ordre électrique.



Cette icône indique un risque d'incendie.



Localise les parties chaudes où les risques de brûlures sont importants.



Localise une zone où les fluides sont sous-pression.



Stipule qu'il est fortement déconseillé de fumer, de produire des flammes ou des étincelles à proximité.



Localise les parties rotatives dangereuses



Localise le ou les orifices de désaération (purge d'air).



Localise où vérifier le niveau de liquide de refroidissement.



Localise où vérifier le niveau d'huile moteur.



Localise l'orifice de vidange de liquide de refroidissement.



Localise l'orifice de vidange du réservoir d'huile.



# Précautions de sécurité

## Gaz d'échappement

Les gaz d'échappement contiennent du monoxyde de carbone. Ce gaz incolore et inodore est extrêmement nocif et peut entraîner un empoisonnement pouvant causer des pertes de conscience ou la mort. Les premiers symptômes d'une intoxication au monoxyde de carbone sont les suivants :

- Vertige
- Nausée
- Maux de tête
- Palpitation au niveau des tempes
- Vomissement
- Fatigue et endormissement
- Crispation musculaire

Si vous ou tout autre personne se trouvant à proximité du moteur ressent l'un de ces symptômes, quittez la zone de fonctionnement du moteur et mettez-vous à l'air libre. Si les symptômes persistent, consultez un médecin et faites vérifier votre moteur.

Vérifiez régulièrement que le circuit d'échappement est étanche et que le coude d'échappement est en bon état. Assurez-vous également que le circuit d'échappement évacue correctement les gaz produits par le moteur.

## Brûlures

Ne jamais toucher les parties chaudes du moteur ou du circuit d'échappement. Un moteur en marche chauffe beaucoup : le coude et tuyau d'échappement, le turbocompresseur, le démarreur, carter d'huile, l'huile, le liquide de refroidissement circulant dans les flexibles sont chauds et peuvent brûler.

Les liquides éjectés sous pression peuvent provoquer de graves blessures. Libérez toute pression dans les circuits avant de retirer les bouchons. Ne pas ouvrir les bouchons des circuits de liquide de refroidissement et d'huile lorsque le moteur fonctionne et/ou lorsqu'il est chaud. Ne jamais démarrer ni faire tourner le moteur lorsque le bouchon de remplissage d'huile n'est pas vissé, de l'huile chaude peut être projetée.

En cas de contact avec un de ces fluides, consultez immédiatement un médecin. Si le moteur chauffe trop, coupez le contact et le courant et attendez que le moteur refroidisse avant de le manipuler.

## Incendie

Ne fumez pas et n'approchez pas de flammes ou d'étincelles à proximité du moteur ou de toute source potentielle de vapeurs et de liquides inflammables. Ne faites pas fonctionner le moteur sans filtre à air.

Ne faites pas fonctionner le moteur dans une zone de stockage de matériaux inflammables, explosifs, ou comportant une présence de gaz. Remisez les liquides inflammables hors du compartiment moteur.

Nettoyez immédiatement les liquides renversés sur vous ou au sol et gardez le compartiment du moteur propre et accessible afin de minimiser les risques d'incendie. Soyez prudent, le gasoil peut brûler. Les canalisations endommagées doivent être remplacées.

## Explosion

Une explosion due à des vapeurs de gasoil peut causer de graves blessures ou la mort ! Suivez scrupuleusement les règles de sécurité lors du plein de carburant.

Ouvrez et ventilez le lieu de stockage du moteur après avoir fait le plein. Vérifiez qu'il n'y a pas de vapeurs ou de fuites de gasoil avant de démarrer le ventilateur (si équipé). Mettez le ventilateur en marche durant 5 minutes avant de démarrer le moteur.

Toutes les vapeurs de gasoil sont inflammables et explosives. Soyez prudent lors de la manipulation et le stockage de gasoil. Stocker le gasoil dans un endroit ventilé à l'écart de sources d'étincelles et de flammes, hors de portée des enfants.

Arrêtez le moteur avant de faire le plein de carburant et ou de lubri-

fiant. Ne fumez pas et n'approchez pas de flamme pendant le plein de carburant et/ou de lubrifiant. Portez des gants pour rechercher une fuite éventuelle.

Ne pas modifier ou détériorer le circuit de carburant. Fermez le circuit de carburant lors de toute intervention sur celui-ci.

Assurez-vous d'avoir toujours à portée de main un extincteur adéquat en état de marche.

## Choc électrique

Une électrocution est possible dès que de l'électricité est présente. Toute tension électrique peut causer des blessures graves ou la mort. Ne faites fonctionner le moteur que lorsque tous les carters et les protections électriques sont en place.

Arrêtez toujours le moteur et coupez le courant avant toute intervention sur le système électrique. Isolez l'alimentation de prise de quai de l'ensemble des équipements du circuit électrique.

Ne jamais toucher les connecteurs électriques lorsque le moteur est en marche ou lorsque le système est branché sur une prise de quai. La tension aux bornes de ces connecteurs peut être mortelle.

Les courts-circuits peuvent provoquer des blessures graves et endommager l'équipement. Enlevez vos montres, bracelets, bijoux

lorsque vous intervenez sur un équipement électrique.

Un retour de tension peut causer de graves blessures ou la mort. Utilisez un équipement approprié pour raccorder le système électrique à une prise de quai.

Tous travaux sur le système électrique doit être réalisé par un technicien qualifié. Les opérations sur le système de prise de quai doivent être réalisées par un technicien autorisé à intervenir sur les installations électriques.

Une attention particulière doit être apportée aux installations électriques sur les bateaux avec une coque en métal, que ce soit en terme de protection des personnes comme de protection du moteur contre la corrosion électrolytique.

## **Acide de batterie**

L'acide contenu dans les batteries peut causer de graves blessures et causer la mort !

Lors de l'entretien des batteries, portez des gants et des lunettes de protection. Une batterie contient de l'acide sulfurique extrêmement corrosif.

De l'acide peut jaillir des batteries lors de leur manipulation. En cas de contact avec la peau, rincez abondamment à l'eau douce et contactez un médecin.

## **Explosion de batterie**

L'explosion d'une batterie peut causer de graves blessures et causer la mort ! Les batteries doivent être installées dans un compartiment approprié et correctement ventilé.

Ne pas fumer ou approcher une source de flamme ou d'étincelle près des batteries. Celles-ci produisent de l'hydrogène qui peut s'allumer et exploser au contact d'un arc électrique ou d'une flamme. Éteignez tous les appareils électriques à proximité lorsque vous intervenez sur les batteries.

Ventilez correctement le compartiment de stockage des batteries. Évitez de toucher les bornes de la batterie avec des outils en métal, afin de ne pas créer d'étincelles qui pourraient causer une explosion. Enlevez vos bagues, bracelets et colliers avant de manipuler les batteries.

## **Partie en rotation**

Les parties en rotation peuvent être extrêmement dangereuses et causer de graves blessures et la mort !

N'intervenez pas sur le moteur lorsque celui-ci est en marche. Si une intervention moteur en marche est absolument nécessaire, veillez à ne pas toucher une partie chaude ou en rotation.

Les vêtements amples, les cheveux ou les objets peuvent être aspirés et/ou entraînés et causer de graves



blessures ou d'importants dégâts matériels.

Ne portez pas de bracelets, colliers ou bagues lors d'une intervention sur un moteur. Assurez-vous que les boulons et les vis soient bien serrés et que les protections soient bien en place. Ne vérifiez pas les niveaux des fluides ou la tension de la courroie de l'alternateur lorsque le moteur est en marche.

## **Démarrage accidentel**

Un démarrage accidentel peut être la cause de graves blessures et causer la mort !

Déconnectez la batterie avant d'intervenir sur le moteur. Assurez-vous que personne ne se trouve à côté du moteur ou en train d'intervenir sur celui-ci avant de le démarrer. L'hélice en mouvement peut provoquer de graves blessures. Assurez-vous que toutes les protections soient en place avant de démarrer le moteur.

## **Produits chimiques**

Les différents fluides utilisés pour le fonctionnement du moteur constituent un danger pour la santé. Lisez attentivement les instructions figurant sur l'emballage de ces produits et veillez toujours à ce que la ventilation dans la cale soit bonne.

Suivez les normes environnementales concernant le stockage de l'huile, du carburant, réfrigérant,

filtres et des batteries. Ne touchez pas les canalisations avec vos mains pour rechercher une éventuelle fuite.

## **Pénétration d'eau**

Le moteur doit être installé et protégé de façon à ce que de l'eau ne puisse jamais pénétrer dans les cylindrées. La pénétration d'eau entraîne une panne complète du moteur qui n'est pas couvert par la garantie.

L'eau pénètre dans les cylindrées après s'être accumulée dans le système d'échappement.

L'installation du moteur doit toujours être réalisée par un technicien agréé Nanni en suivant les recommandations d'installation. Seule une installation correctement réalisée peut protéger le moteur contre la pénétration d'eau.

Une utilisation correcte du moteur est également essentielle. Il est de la responsabilité de l'utilisateur du moteur de respecter les consignes d'utilisation et de tout mettre en oeuvre pour protéger le moteur contre la pénétration d'eau.

Après un chavirement, ou si de l'eau a pénétré dans les cylindres, ne pas démarrer le moteur, sauf en cas d'urgence et contactez un revendeur agréé.

## A propos du moteur

### Identification

Le moteur et la transmission ont une ou plusieurs plaques d'identification qui contiennent différentes informations.

Gardez ces plaques accessibles et en bon état. Notez le numéro de série et la désignation du moteur, ainsi que ceux de la transmission. Ces numéros vous seront utiles en cas d'intervention sur le moteur, de commande de pièces ou de recours en garantie.

La plaque signalétique du moteur se présente comme suit :



- **TYP** indique la désignation commerciale du moteur.
- **NR** indique le numéro de série du moteur.
- **CODE** récapitule différentes spécifications du moteur.

### Rodage

Faites fonctionner votre moteur avec précaution lors des 50 premières heures de fonctionnement.

Naviguez quelques minutes à un régime lent avant de naviguer à votre vitesse de croisière. Ne faites fonctionner le moteur à plein régime que pour de courtes périodes. Ne naviguez pas à régime constant pendant de longues périodes.

Vérifiez les niveaux d'huile et de liquide de refroidissement fréquemment durant la période de rodage. La consommation d'huile peut être importante pendant la période de rodage.

### Installation du moteur

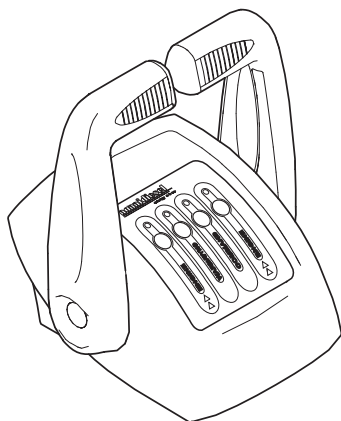
L'installation du moteur doit absolument être réalisée par un technicien agréé Nanni conformément aux instructions de montage. Une installation correcte du moteur est de la plus grande importance en terme de sécurité et de protection de l'environnement.

Cela permet également d'assurer une durée de vie optimale dans des conditions normales d'utilisation.

Les pannes dues à une installation incorrecte du moteur ne sont pas couvertes par la garantie.

## Levier de commande

Le levier de commande ne fait pas partie de la fourniture du moteur. Le levier installé sur le bateau peut donc être différent de ceux représentés dans ce document.



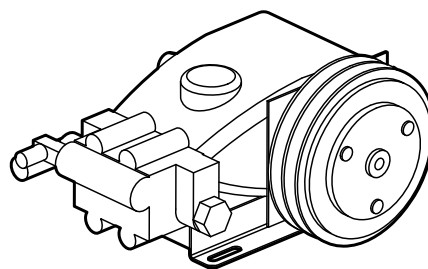
Sur la plupart des bateaux, le levier de commande contrôle à la fois le régime moteur et la commande d'inversion de marche. Dans certains cas, la commande d'inversion de marche peut être séparée de la commande de régime moteur.

Le levier de commande peut également être équipé d'une sécurité point mort qui empêche de démarrer le moteur tant que le levier n'est pas au point mort.

Contactez votre revendeur agréé si vous n'êtes pas sûr du fonctionnement du levier de commande.

## Équipements attelés - Prise de force

Certains moteurs peuvent être équipés d'un système de prise de force. Ce système permet d'entraîner des équipements (pompe, déssalinisateur, etc.).



**REMARQUE :** Toute puissance mécanique prélevée sur le moteur réduit la puissance délivrée à l'hélice. L'utilisation d'une prise de force doit toujours faire l'objet d'une étude par Nanni Industries S.A.S France. Renseignez-vous auprès de votre revendeur agréé pour plus d'informations.

## Trolling valve

Le système Trolling Valve permet de réduire la vitesse de rotation de l'hélice à un régime inférieur de celui obtenu lorsque le moteur est au ralenti. La vitesse du bateau est alors réduite de 30% à 70%.

### **⚠ ATTENTION**

Le système Trolling Valve ne doit jamais être utilisé pour manoeuvrer. Il ne doit jamais être utilisé à un régime moteur supérieur à 1200 tr/min.

## Fonctionnement par temps froid

Les moteurs Nanni sont conçus pour fonctionner de manière efficace par temps froid.

Cependant, des précautions supplémentaires sont à prendre pour une utilisation du moteur par temps froid. Contactez votre revendeur agréé Nanni pour plus d'informations sur la disponibilité des aides à l'utilisation du moteur par temps froid.

### **CARBURANT GRAND FROID**

Le carburant de qualité grand froid permet de protéger le système d'injection lorsque les températures chutent en dessous de 5°C (40°F). Ce type de carburant est adapté pour une utilisation du moteur par temps froid grâce à un point de trouble et un point d'écoulement bas.

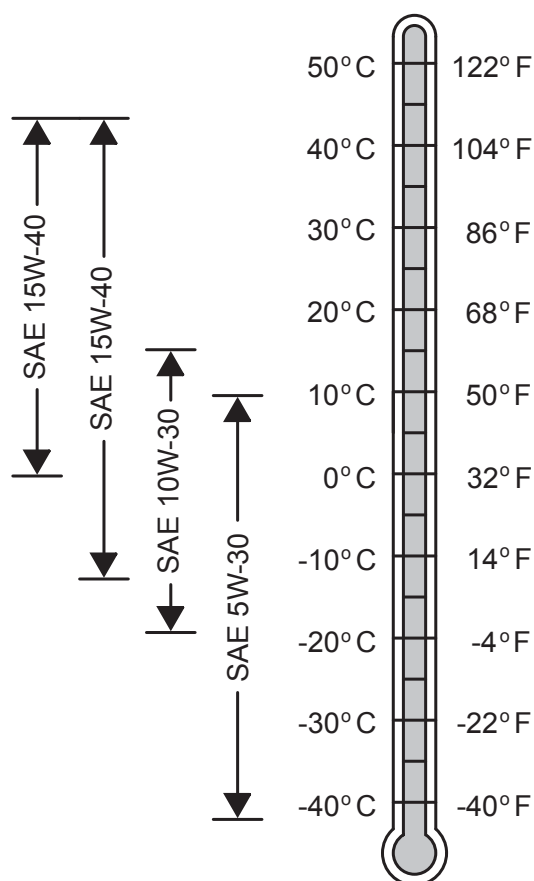
Le carburant grand froid ayant une faible valeur calorifique, son utilisation peut avoir un effet sur la puissance délivrée par le moteur et sur la consommation de carburant. Contrôlez le type de carburant utilisé avant de rechercher une panne ou de porter une réclamation sur la puissance du moteur.

Dans tous les cas, la qualité du carburant et sa teneur en soufre doivent être conformes aux réglementations en vigueur dans la zone dans laquelle le moteur est utilisé.

## VISCOSITÉ DE L'HUILE

Adaptez la viscosité de l'huile en fonction des températures extérieures prévues entre deux vidanges.

Suivez le schéma ci-dessous pour choisir la viscosité de l'huile:



Un réchauffeur d'air d'admission est disponible en option sur certains moteurs. Contactez votre revendeur agréé pour plus d'informations.

## Moteurs homologués

Le modèle de moteur peut être homologué conforme à différentes normes relatives aux émissions d'échappement. Cela signifie que tous les moteurs du même modèle fabriqués dans notre usine sont conformes à ces normes.

Cependant, pour que le moteur soit conforme aux normes pour lesquelles il est homologué, des exigences particulières pour la maintenance et l'entretien sont à suivre:

- Seules des pièces de rechange Nanni d'origine doivent être utilisées.
- Les intervalles de maintenance doivent être respectés.
- Le moteur ne doit pas être modifié, sauf avec des accessoires et des kits approuvés par Nanni Industries S.A.S. France.
- L'entretien du système d'injection doit toujours être effectué par un technicien agréé Nanni.
- Les systèmes d'admission d'air et d'échappement ne doivent pas être modifiés.
- Les plombs de sécurité ne peuvent être retirés que par un personnel agréé.
- Les instructions d'utilisation et d'entretien doivent être suivies.

La conformité du moteur aux normes pour lesquelles il est homologué sera annulée si une ou plusieurs de ces conditions ne sont pas respectées.

## Responsabilité environnementale

Nanni développe ses moteurs afin qu'ils aient une incidence minimum sur l'environnement et une durée de vie maximale. Cependant, cet objectif n'est réalisable que grâce à votre pleine collaboration.

Nos directives d'utilisation et d'entretien sont là pour vous guider au mieux afin de protéger le moteur et d'adopter un comportement responsable vis-à-vis de l'environnement.

Veillez à n'utiliser que les carburants et huiles préconisés dans ce manuel. L'utilisation d'un autre type de carburant ou d'huile peut provoquer d'importants dysfonctionnements : augmentation de la consommation, réduction de la durée de vie du moteur, rejets plus importants de gaz d'échappement, etc.

Lors de la vidange d'huile, du changement de filtre à huile ou de carburant, veillez à déposer les déchets dans un conteneur prévu à cet effet.

Ces fluides rejetés dans la nature causent des dégâts importants à l'ensemble de la faune et de la flore. Utilisez un kit absorbant en cas de rejet accidentel d'hydrocarbures dans l'eau.

## Garantie

Ce manuel est complété par un carnet de garantie. Nous vous recommandons de lire ce document attentivement.

Portez une attention particulière aux types et cycles d'utilisation applicables à votre moteur et aux limitations qui en découlent. Le non-respect des conditions de garantie entraînera l'annulation de la garantie limitée.

Pour que la garantie limitée soit valide, l'installation du moteur ainsi que toutes les opérations de maintenance doivent être réalisées par un atelier agréé Nanni.

**REMARQUE:** Le non-respect des intervalles de maintenance, un entretien incorrect ou l'utilisation de pièces détachées autres que celles d'origine Nanni entraînera l'annulation de la garantie.

Des modifications aux réglages du moteur, ainsi que toute modification technique (accessoires, pièces détachées, équipements supplémentaires, etc.) **SONT INTERDITES SANS AUTORISATION ÉCRITE DE NANNI INDUSTRIES S.A.S.**

Toute modification non-approuvée entraînera l'annulation de la garantie. Les dommages causés par une mauvaise utilisation du moteur et/ou du bateau ne sont également pas couverts par la garantie.

## Inspection de mise en service

L'inspection de mise en service conditionne la validité de la garantie limitée. De plus, cette inspection permet d'enregistrer le produit dans notre usine et d'y associer des informations importantes.

En enregistrant le produit, vous recevrez la meilleure garantie possible et Nanni sera en mesure de vous contacter en cas de mise à jour ou de rappel.

Les opérations à effectuer lors de la mise en service sont expliquées dans le carnet de garantie. Cette mise en service doit être signée par le vendeur et par le propriétaire du moteur.

Il est de la responsabilité du propriétaire du moteur de contrôler que l'inspection de mise en service a été correctement effectuée et signée par la personne l'ayant réalisée.

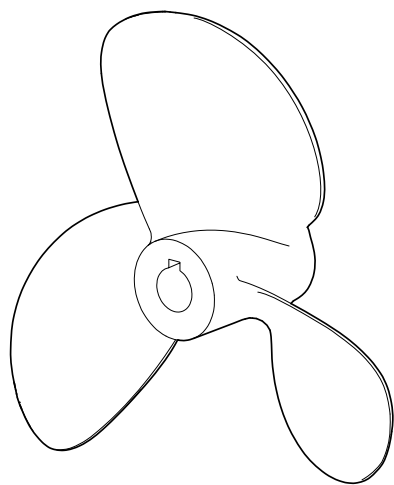
Les informations concernant le régime moteur doivent être prises en utilisant un compte-tours électronique. Le compte-tours du tableau de bord ne doit pas être utilisé dans ce but.





## A propos de l'hélice

L'hélice est un élément essentiel du système de propulsion. Elle convertit la puissance du moteur en poussée. Pour que cette poussée soit optimale, l'hélice doit être parfaitement adaptée aux caractéristiques du bateau, à celles du moteur et de la transmission.



Dans tous les cas, l'hélice doit être dimensionnée de façon à permettre au moteur d'atteindre son régime de rotation nominal en charge lorsque le bateau est chargé au maximum de ses capacités.

Un mauvais fonctionnement du moteur est souvent dû à une hélice inadaptée et / ou endommagée.

## Comportement du bateau

S'il s'agit de votre premier bateau ou si vous n'êtes pas habitué à le piloter, nous vous conseillons dans un premier temps de manoeuvrer à vitesse lente.

Dans tous les cas, évitez les manoeuvres violentes et les changements de vitesse trop brusques. Les passagers peuvent tomber ou passer par dessus bord.

N'oubliez pas que le comportement du bateau en navigation varie en fonction de la répartition des masses à bord (passagers, équipements, etc.). Une coque planante sera particulièrement affectée par une mauvaise répartition du poids.

L'état de la coque et de l'hélice sont également des facteurs déterminants. Une coque et/ou une hélice sale et/ou abîmée modifieront le comportement du bateau et auront un impact sur les performances du moteur.

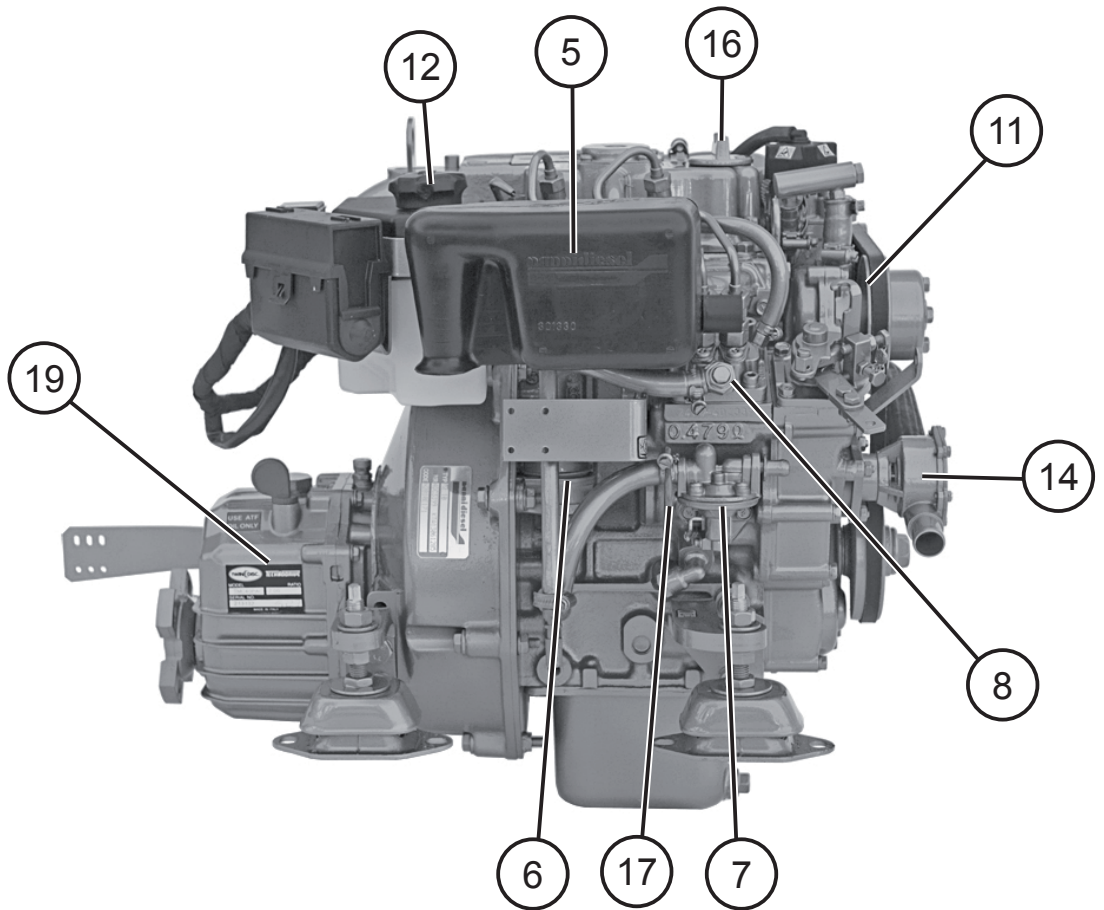
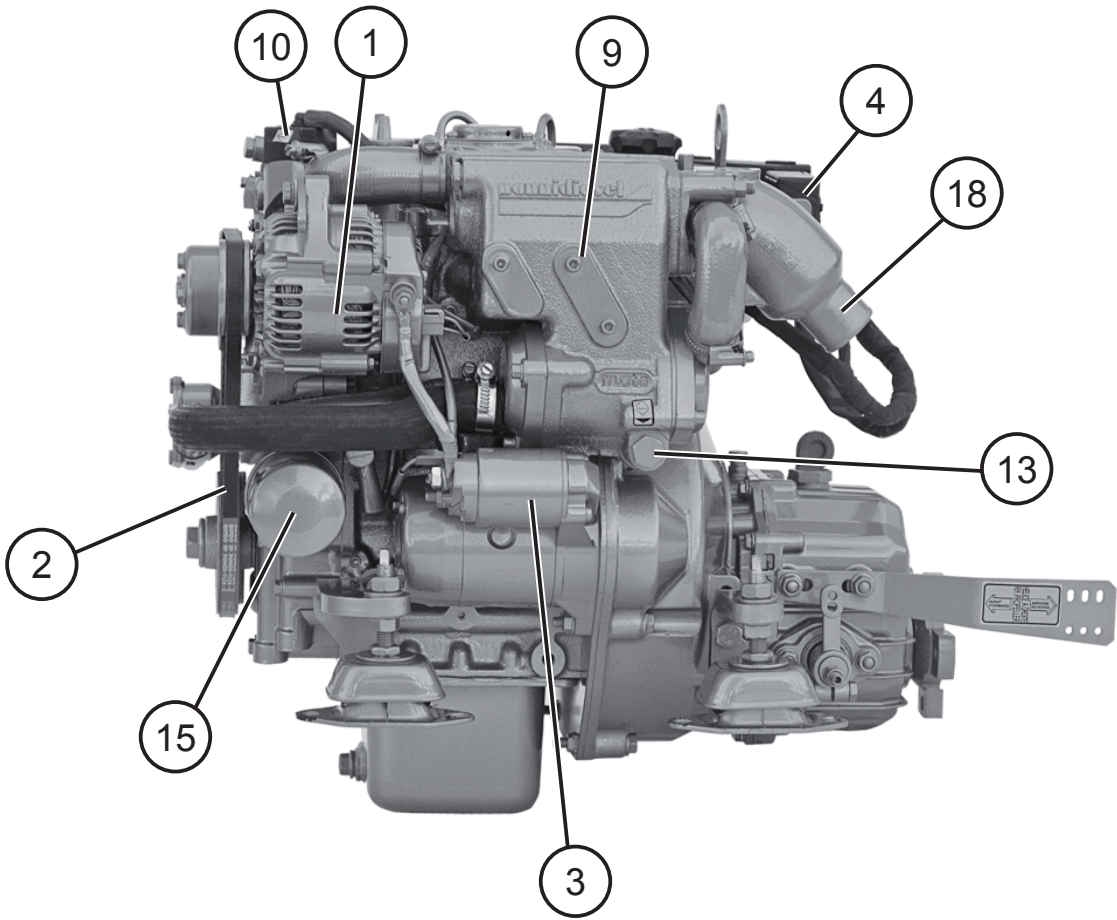


# Composants du moteur

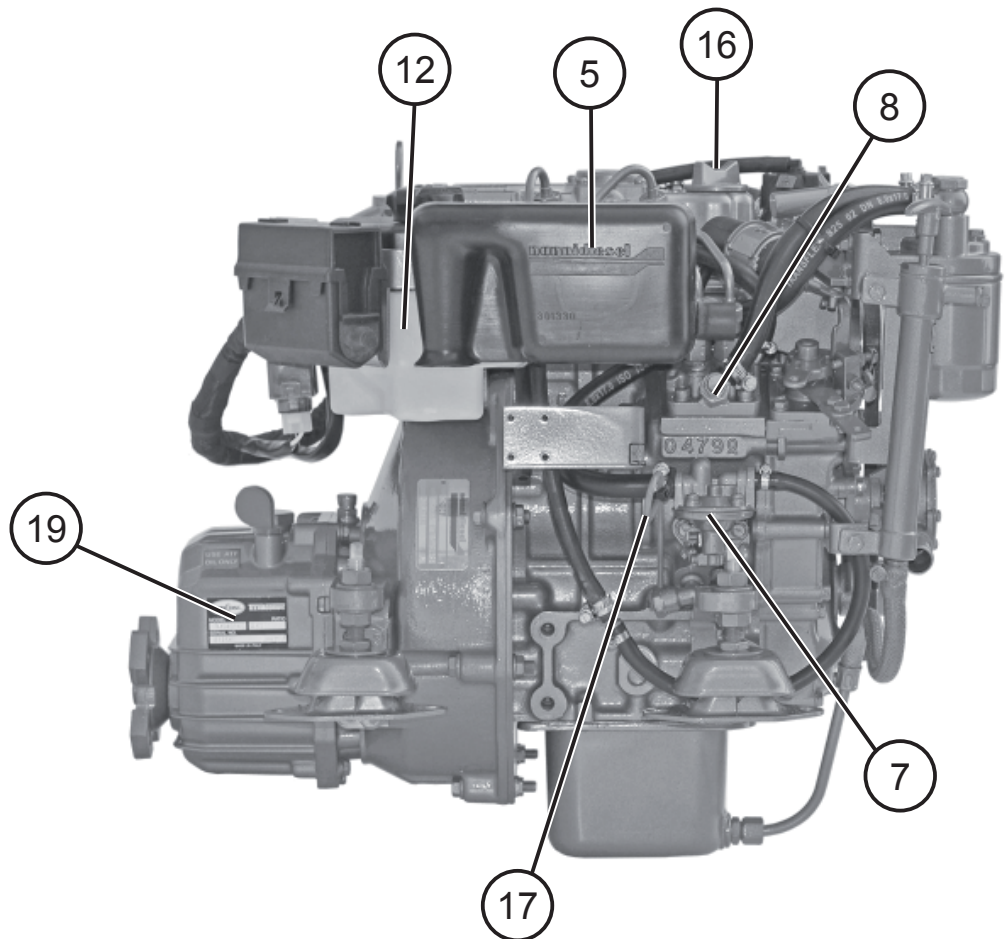
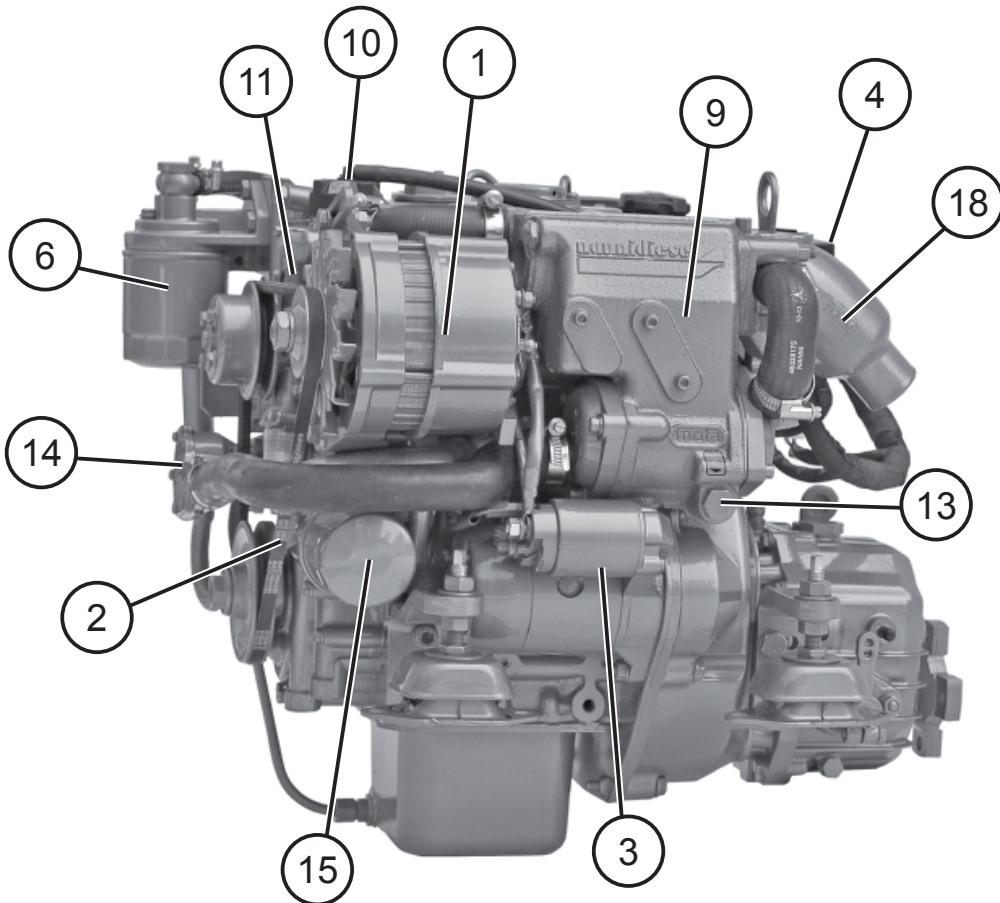
**REMARQUE:** Votre moteur peut être différent de celui représenté ici. Certains composants peuvent ne pas faire partie de la fourniture du moteur.

NUMÉRO	COMPOSANTS
1	Alternateur
2	Courroie de l'alternateur
3	Démarrreur
4	Boite à fusibles
5	Filtre à air
6	Filtre à carburant
7	Pompe d'alimentation de carburant
8	Pompe à injection
9	Échangeur de chaleur
10	Bouchon de remplissage de liquide de refroidissement
11	Pompe de liquide de refroidissement
12	Vase d'expansion
13	Bouchon de vidange de liquide de refroidissement
14	Pompe à eau brute
15	Filtre à huile
16	Bouchon de remplissage d'huile
17	Jauge d'huile
18	Coude d'échappement refroidi par eau
19	Transmission

# N2.10

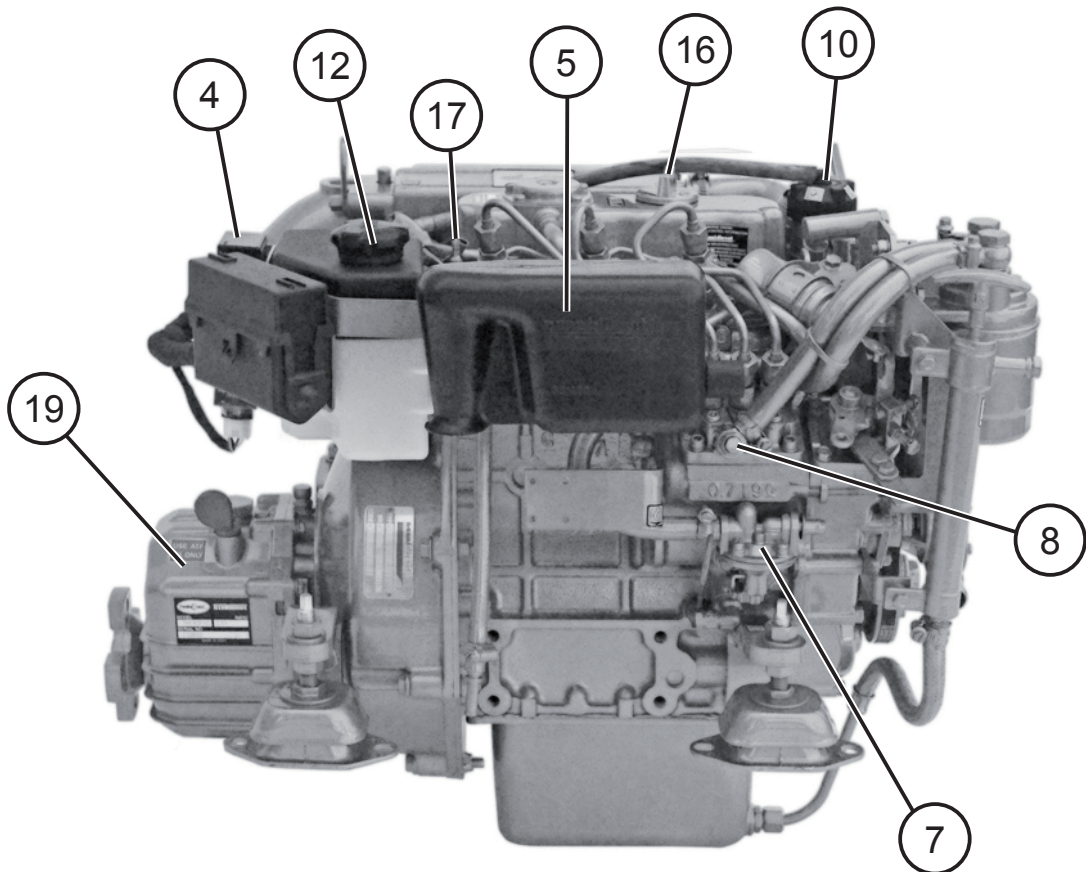
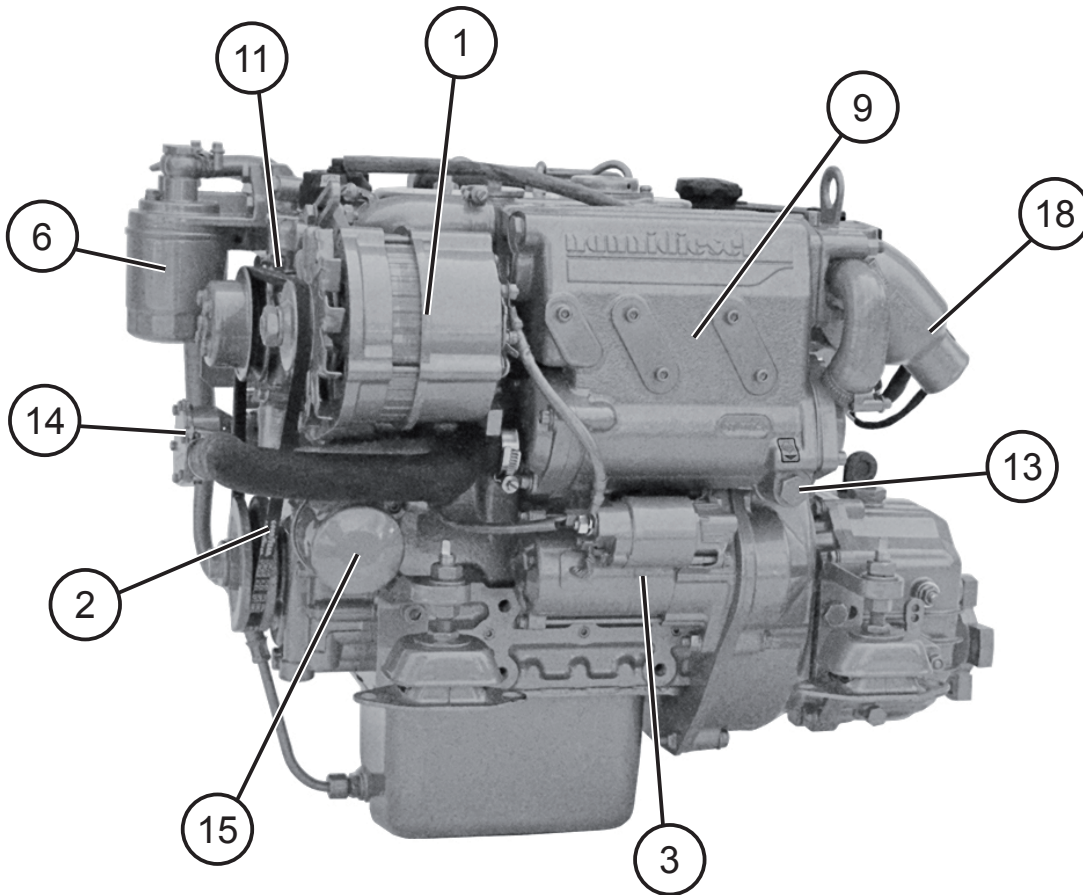


# N2.14





# N3.21



# 5 TABLEAU DE BORD

## ⚠ AVERTISSEMENT

Lisez les instructions concernant le démarrage et l'arrêt du moteur avant de le faire fonctionner.

Le tableau de bord vous fournit des indications importantes sur le moteur.

**REMARQUE:** Ce chapitre ne décrit que les instruments et tableaux standards. Contactez votre revendeur agréé si votre bateau est équipé d'instruments différents de ceux décrits dans ce chapitre ou si vous n'êtes pas sûr de leurs fonctions. Sur certains bateaux, les instruments peuvent être installés séparément sans les platines représentées ici.

Un tableau de bord sans clé de contact peut être utilisé en tant que tableau additionnel installé en position Fly Bridge. Un tableau principal équipé d'une clé de contact installé en timonerie permet d'empêcher le démarrage accidentel par le tableau additionnel. Pour démarrer le moteur en utilisant le tableau additionnel, la clé du tableau principal doit être en position "Contact".

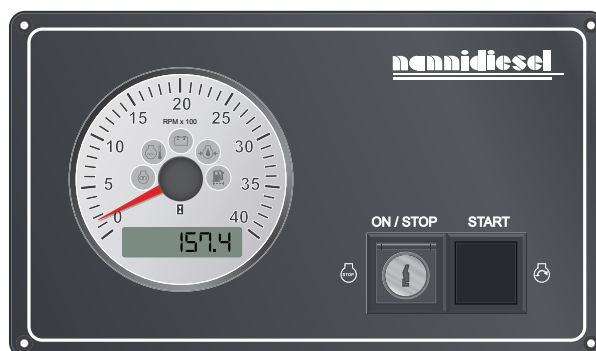
## Tableau standard

### TABLEAU ECO4

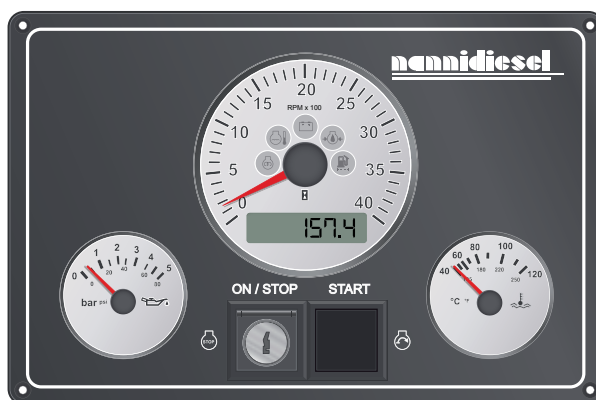


**REMARQUE:** Le tableau Eco4 n'est disponible qu'avec le moteur modèle N2.10.

### TABLEAU A4



### TABLEAU C4



# Instrumentation

## Compte-tours & voyants

Le compte-tours analogique indique le régime de rotation du moteur. Multipliez la valeur indiquée par 100 pour obtenir le régime du moteur en tr/min.

La fonction des voyants d'alerte intégrés au cadran est expliquée dans les pages suivantes.



## Horamètre & Voltmètre

L'écran en bas du cadran indique les heures de fonctionnement du moteur.

Lors de la mise sous tension du moteur (contact), il indique la tension aux bornes de la batterie de démarrage.

## Interrupteur de contact

L'interrupteur de contact permet de démarrer et d'arrêter le moteur.

L'interrupteur **ON/STOP** permet de mettre le système électrique sous et hors tension et d'arrêter le moteur.

Le bouton **START** permet de préchauffer le moteur et de le démarrer.

**REMARQUE:** Dans sa version standard, le moteur modèle N2.10 n'est pas équipé d'une fonction d'arrêt commandée électriquement. Une commande d'arrêt mécanique (tirette de stop) doit être installée pour pouvoir arrêter le moteur.



## Indicateur de pression d'huile moteur

**REMARQUE:** Cet indicateur n'indique pas le niveau d'huile dans le moteur.

Cet indicateur indique la pression d'huile en bar et en psi.

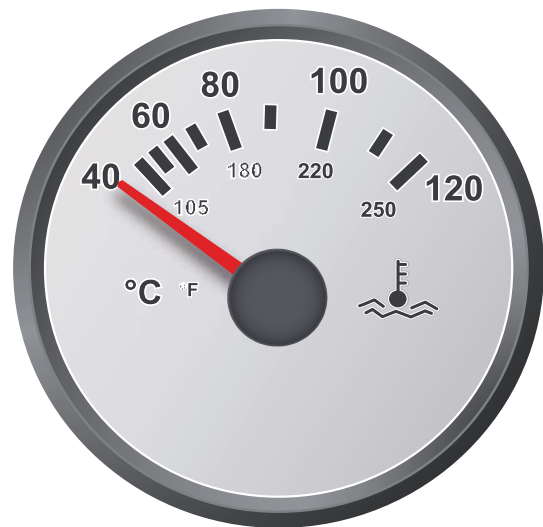
Si la pression dans le circuit de lubrification est trop basse, l'alarme sonore retentit et le voyant correspondant s'allume.



## Indicateur de température liquide de refroidissement

Indique la température du liquide de refroidissement en degrés Celsius et Fahrenheit.

Si la température du liquide de refroidissement est trop haute, l'alarme sonore retentit et le voyant correspondant s'allume.





## Voyants d'alerte

### TEMPÉRATURE DE LIQUIDE DE REFROIDISSEMENT



Ce voyant s'allume et l'alarme sonore retentit si la température de liquide de refroidissement est trop haute.

#### **⚠ DANGER**

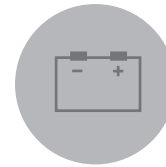
Ne jamais retirer un bouchon du circuit de refroidissement lorsque le moteur est chaud. De la vapeur et/ou du liquide chaud peuvent jaillir.

#### **⚠ ATTENTION**

\* Si cette alarme se déclenche lorsque le moteur est en fonctionnement, arrêtez le moteur, sauf en cas d'extrême urgence, et vérifiez le niveau de liquide de refroidissement, l'état de la courroie et du filtre à eau brute, et vérifiez que la vanne passe coque est ouverte.

\* Ne faites pas fonctionner le moteur si cette alarme se déclenche. Faites contrôler votre moteur par un réparateur agréé Nanni dès que possible si le problème persiste.

## CHARGE BATTERIE



Ce voyant s'allume lorsque le système électrique du moteur est mis sous tension.

Si ce voyant s'allume lorsque le moteur fonctionne, cela signifie que l'alternateur du moteur ne charge pas les batteries.

Un défaut de charge peut être dû à un défaut sur le système électrique ou à une courroie détendue.

#### **⚠ ATTENTION**

\* Si cette alarme se déclenche lorsque le moteur est en fonctionnement, arrêtez le moteur, sauf en cas d'extrême urgence, et vérifiez les composants de la courroie de l'alternateur. Vérifiez également les composants du système électrique (fusibles, batteries, câbles, etc).

\* Ne faites pas fonctionner le moteur si le problème persiste et faites contrôler votre moteur par un réparateur agréé Nanni dès que possible.



## PRÉCHAUFFAGE



Ce voyant s'allume lorsque les bougies préchauffent les chambres de combustion (si votre moteur en est équipé).

## PRESSION D'HUILE MOTEUR



Ce voyant s'allume et l'alarme sonore retentit si la pression dans le circuit de lubrification est trop basse.

### **⚠ ATTENTION**

\* Si cette alarme se déclenche lorsque le moteur est en fonctionnement, arrêtez le moteur, sauf en cas d'extrême urgence, et vérifiez le niveau d'huile ainsi que l'état du filtre à huile.

\* Une pression d'huile trop faible peut gravement endommager le moteur. Ne faites pas fonctionner le moteur si le problème persiste et faites contrôler votre moteur par un réparateur agréé Nanni dès que possible.

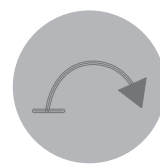
## PRÉSENCE D'EAU DANS LE FILTRE À CARBURANT



Ce voyant s'allume et l'alarme sonore retentit lorsqu'une trop grande quantité d'eau s'est accumulée dans le filtre à carburant (option non disponible sur certains moteurs).

Si cette alarme se déclenche, arrêtez le moteur, sauf en cas d'extrême urgence, et videz l'eau dans le filtre à carburant.

## VOYANT CONTACT



**REMARQUE:** Ce voyant n'est présent que sur le tableau de bord modèle Eco4.

Ce voyant indique que le système électrique du moteur est sous tension.



## Note

---

# 6 UTILISATION

## Avant de démarrer

### ⚠ AVERTISSEMENT

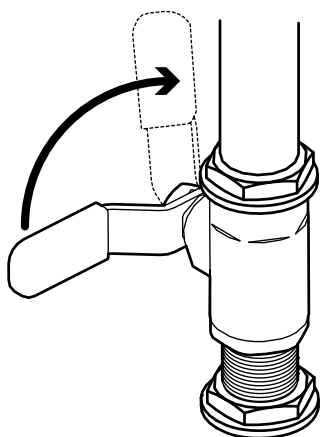
Remettez toutes les protections en place avant de démarrer le moteur.

### ⚠ ATTENTION

Ouvrez la vanne de prise d'eau brute (si équipée) avant de démarrer le moteur. Le rotor de pompe à eau brute sera endommagé s'il fonctionne à sec même pendant quelques secondes, pouvant entraîner une surchauffe du moteur.

Effectuez les opérations suivantes avant de démarrer le moteur :

**1.** Ouvrez la vanne passe coque (si équipée). Amorcez le système d'eau brute si nécessaire.



**2.** Faites fonctionner le ventilateur de cale (si équipé) pendant au moins 5 minutes. Sinon, ouvrez la cale.

**3.** Vérifiez le niveau de carburant.

**4.** Mettez le levier de commande au point mort.

**5.** Ouvrez la vanne d'alimentation de carburant, amorcez le système si nécessaire.

**6.** Vérifiez les niveaux d'huile du moteur et de la transmission, faites l'appoint si nécessaire.

**7.** Vérifiez le niveau de liquide de refroidissement, faites l'appoint si nécessaire.

**8.** Vérifiez les câbles de commande, graissez les connections si nécessaire.

**9.** Vérifiez qu'il n'y a pas de fuites de carburant, d'huile ou d'eau.

**10.** Vérifiez la courroie de l'alternateur.

**11.** Fermez le coupe-circuit principal (position Marche / On)



# Démarrage du moteur

## **DANGER**

\* L'hélice peut provoquer de graves blessures. Assurez-vous que personne ne se trouve dans l'eau près de l'hélice avant de démarrer.

\* N'utilisez jamais d'aérosol de démarrage ou d'équivalent. Ces produits sont hautement inflammables.

## **ATTENTION**

\* Faites toujours préchauffer le moteur. N'emballez jamais le moteur lorsqu'il est froid.

\* N'engagez pas le démarreur pendant plus de 10 secondes à la fois. Attendez 2 minutes entre chaque tentative de démarrage. Le non respect de ces consignes peut endommager le démarreur.

\* Si le moteur ne démarre pas après 3 tentatives, retirez la clé du tableau et vidangez l'eau dans le pot d'échappement. Le non respect de ces consignes peut mener à une pénétration d'eau dans les cylindres.

**REMARQUE:** Lors du premier démarrage, faites tourner le moteur à vide et au ralenti pendant quelques minutes et contrôlez le moteur.

# Démarrage à l'aide de batterie de secours

## **ATTENTION**

Assurez-vous d'utiliser des batteries ayant la même tension nominale que la tension du système électrique du moteur.

**1.** Connectez le câble de démarrage à la borne positive (+) de la batterie déchargée, puis à la borne positive (+) de la batterie de secours.

**2.** Connectez le câble de démarrage à la borne négative (-) de la batterie de secours. Connectez l'autre extrémité à un boulon sur la cloche du bloc moteur.

## **DANGER**

Dans le cas d'un moteur avec un système électrique bipolaire, connectez l'autre extrémité du câble à la borne négative (-) de la batterie de secours.

**3.** Démarrez le moteur en suivant la procédure standard.

**4.** Faites tourner le moteur au ralenti quelques minutes pour recharger les batteries.

**5.** Arrêtez le moteur et débranchez les câbles dans le sens inverse du sens de branchement.

## Tableau avec clé

1. Positionnez le levier de commande au point mort.
2. Poussez la commande d'arrêt manuelle/ tirette de stop (si équipé).
3. Insérez la clé dans l'interrupteur de contact **ON/STOP**.
4. Tournez la clé d'un quart de tour vers la droite. Tous les voyants s'allument et l'alarme sonore retentit. Au bout de quelques secondes, seuls les voyants de **PRESSION D'HUILE** et **CHARGE BATTERIE** restent allumés.
5. Appuyez sur le bouton **START** à mi-course pour commencer le préchauffage. Maintenez le bouton pendant 5 à 15 secondes en fonction de la température ambiante pour préchauffer le moteur.
6. Appuyez à fond pour démarrer le moteur. Une fois le moteur démarré, relâchez le bouton, tous les voyants s'éteignent.
7. Pour les moteurs équipés d'un coude refroidi par eau, vérifiez que l'eau s'écoule par la sortie d'échappement à la coque. Si l'eau ne s'écoule pas, arrêtez le moteur et vérifiez les composants du système d'eau brute.

## Tableau sans clé

1. Tournez la clé de contact du tableau principal (si équipé) d'un quart de tours vers la droite.
2. Positionnez le levier de commande au point mort.
3. Poussez la commande d'arrêt manuelle/tirette de stop (si équipé).
4. Appuyez sur le bouton **ON/STOP**. Tous les voyants s'allument et l'alarme sonore retentit. Au bout de quelques secondes, seuls les voyants de **PRESSION D'HUILE** et **CHARGE BATTERIE** restent allumés.
5. Appuyez sur le bouton **START** à mi-course pour commencer le préchauffage. Maintenez le bouton pendant 5 à 15 secondes en fonction de la température ambiante pour préchauffer le moteur.
6. Appuyez à fond pour démarrer le moteur. Une fois le moteur démarré, relâchez le bouton, tous les voyants s'éteignent.
7. Pour les moteurs équipés d'un coude refroidi par eau, vérifiez que l'eau s'écoule par la sortie d'échappement à la coque. Si l'eau ne s'écoule pas, arrêtez le moteur et vérifiez les composants du système d'eau brute.

# En fonctionnement

## ⚠ **ATTENTION**

N'appuyez jamais sur le bouton **START** lorsque le moteur fonctionne.

Vérifiez les instruments et les voyants après avoir démarré le moteur, et régulièrement lors de la navigation.

## Régime de croisière

Le fonctionnement du moteur à plein régime durant de trop longue période n'est pas économique et peut s'avérer inconfortable.

Un régime moteur conseillé pour régler votre vitesse de croisière est indiqué dans le chapitre **SPÉCIFICATIONS**.

**REMARQUE:** Adaptez votre vitesse de croisière en fonction des conditions de navigations et de charge du bateau.

Notez qu'un fonctionnement du moteur à faible régime durant de trop longues périodes peut entraîner une augmentation de la consommation d'huile. Des dépôts peuvent également se former dans le système d'injection si le moteur n'atteint pas sa température nominale régulièrement. Faites fonctionner le moteur à pleine charge régulièrement afin de brûler d'éventuels dépôts.

# Manoeuvres

## ⚠ **AVERTISSEMENT**

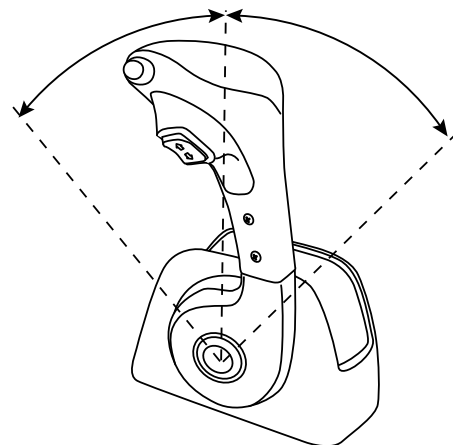
Les inversions de sens de marche effectuées à une vitesse trop élevée peuvent endommager le moteur et la transmission et être dangereuses pour les passagers.

## ⚠ **ATTENTION**

Sur un bateau bimoteur, les deux moteurs doivent être démarrés lors des manoeuvres en marche arrière.

Effectuez les opérations suivantes pour inverser le sens de marche :

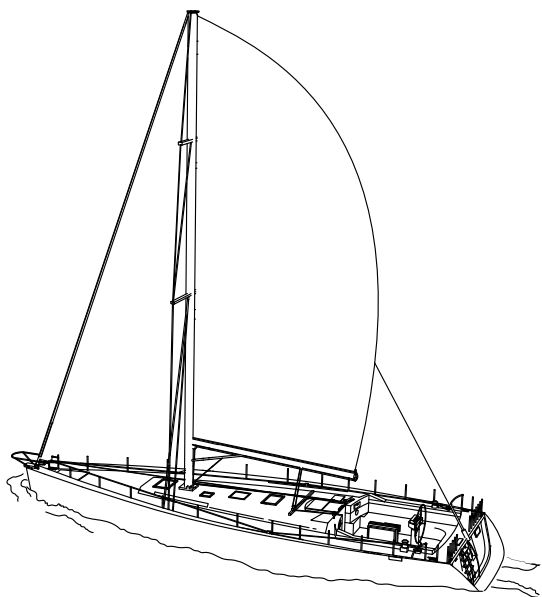
1. Réduisez le régime du moteur jusqu'au ralenti et attendez que le bateau perde un maximum de sa vitesse.



2. Positionnez le levier de commande au point mort et attendez quelques secondes.
3. Déplacez ensuite le levier afin d'inverser le sens de marche.



## Navigation sous voile moteur arrêté



Si le moteur est équipé d'une transmission par Sail Drive **MODÈLE SP60**, lors de la navigation sous voile moteur arrêté :

*Si les pales de l'hélice sont repliables:*

- Passez la marche arrière. Les pales de l'hélice se referment lorsque le bateau avance. La résistance hydrodynamique créée par les pales est minimisée.

*Si les pales de l'hélice ne sont pas repliables:*

- Passez la marche arrière. L'hélice ne tourne pas et crée une résistance hydrodynamique.
- Ramenez le levier en position neutre, l'hélice tourne et crée moins de résistance qu'en marche arrière.

### ⚠ **ATTENTION**

\* La navigation sous voile moteur arrêté et levier en position neutre ne doit pas excéder 6 à 7 heures d'affilé. L'hélice peut entraîner la rotation de l'arbre et endommager la transmission. Faites fonctionner le moteur 15 minutes toutes les 6 heures d'utilisation pour lubrifier la transmission.

\* Quelles que soient le type d'hélice et de transmission, ne naviguez jamais sous voile moteur arrêté avec le levier en marche avant.

\* Si le bateau est capable d'atteindre une vitesse supérieure à 8 noeuds lors de la navigation sous voile, fermez la vanne passe coque. La pression de l'eau peut forcer le passage à travers le circuit d'eau brute et remplir le système d'échappement. N'oubliez pas d'ouvrir la vanne à nouveau avant de redémarrer le moteur.

# Arrêt du moteur

## ⚠ **ATTENTION**

N'utilisez jamais le coupe circuit pour arrêter le moteur. Cela peut endommager le système électrique.

Avant d'arrêter le moteur, faites-le fonctionner quelques minutes au ralenti levier en position neutre, particulièrement s'il a fonctionné à plein régime et pleine charge.

1. Démarrez le ventilateur de cale (si équipé) ou ouvrez la cale.
2. *Si le bateau est équipé d'une commande d'arrêt mécanique:* tirez et maintenez la commande jusqu'à ce que le moteur s'arrête. Poussez la commande d'arrêt. Tournez la clé du tableau de bord dans le sens inverse des aiguilles d'une montre.
3. *Si le bateau est équipé d'une commande d'arrêt électrique:* Tournez la clé du tableau de bord dans le sens inverse des aiguilles d'une montre. Le moteur s'arrête et tous les voyants s'éteignent. Pour un tableau sans clé, appuyez sur le bouton **ON/STOP** et relâchez-le. Le moteur s'arrête. Tournez la clé du tableau de bord principal (si équipé) dans le sens inverse des aiguilles d'une montre. Tous les voyants s'éteignent.

## ⚠ **ATTENTION**

Même une fois arrêté, des éléments du moteur et tous les fluides restent chauds et sous pression pendant plusieurs minutes. Limitez autant que possible les interventions sur le moteur tant qu'il est encore chaud.

Une fois que le moteur s'est arrêté:

1. Ouvrez le coupe circuit principal (position OFF).
2. Fermez la vanne passe coque (si équipé) et la vanne de carburant.
3. Contrôlez l'état du compartiment moteur afin de déceler d'éventuelles fuites.

## ⚠ **ATTENTION**

- \* Si le bateau est remorqué, arrêtez le moteur et fermez la vanne passe coque.
  - \* Dans le cas d'un bateau bimoteur, si un seul moteur est utilisé pour naviguer, fermez la vanne passe coque du moteur à l'arrêt.
- N'oubliez pas d'ouvrir la vanne avant de redémarrer.

## Au mouillage

Lorsque le bateau reste au mouillage ou à l'arrêt au port pendant une longue période, de la végétation et des salissures peuvent se former sur la coque, la quille, le gouvernail, l'embase, l'hélice, etc. Leur présence aura une influence considérable sur les performances du bateau et sur celles du moteur lors de la prochaine utilisation.

De la végétation, des salissures ou de la boue peuvent également obstruer le circuit d'eau brute, réduisant l'efficacité du système de refroidissement.

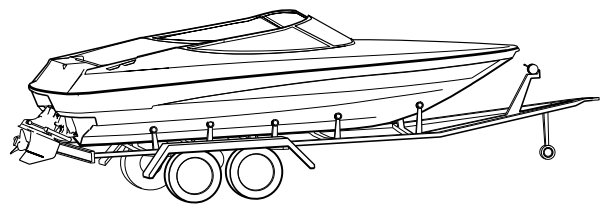
Contrôlez l'état de la coque et du circuit d'eau brute avant chaque utilisation du bateau. Nettoyez-les si nécessaire. Si le bateau est sorti de l'eau chaque année, nettoyez la coque et passez une couche de produit limitant la formation de salissures sur la coque. Veillez à ne jamais peindre les anodes.

Lorsque le bateau est au mouillage ou au port, l'eau peut également remplir le système d'échappement du moteur via la sortie d'échappement à la coque. Il est donc nécessaire de vidanger régulièrement le pot d'échappement lorsque le bateau est au mouillage ou à quai pendant de longue période.

## Stockage

Si le bateau reste dans l'eau sans être utilisé pendant quelques semaines, le moteur doit être contrôlé et démarré quelques minutes tous les 10 jours.

Si le bateau ne doit pas être utilisé pendant plus de 2 mois, une liste d'opérations doit être réalisée pour protéger le moteur et la transmission. Référez-vous au chapitre **STOCKAGE LONGUE DURÉE**.



Pour éviter les dommages dus au gel, les systèmes de refroidissement (eau brute et liquide de refroidissement) doivent être vidangés quand il y a un risque de gel. Reportez-vous aux chapitres correspondants dans la section **MAINTENANCE** et au chapitre **STOCKAGE LONGUE DURÉE**.

**CES OPÉRATIONS DOIVENT ÊTRE RÉALISÉES DANS UN ATELIER AGRÉÉ NANNI.**



**⚠ AVERTISSEMENT**

\* Autant que possible, effectuez les opérations de maintenance moteur arrêté, après avoir retiré la clé du tableau de bord et coupé l'alimentation électrique.

\* Lisez les instructions de sécurité et tous les chapitres concernant la maintenance du moteur avant de commencer toute intervention. Soyez sûr de comprendre les instructions avant d'intervenir.

Ce manuel ne décrit que les opérations de maintenance préventive à effectuer par le propriétaire / utilisateur du moteur. L'entretien régulier du moteur est essentiel afin d'obtenir une fiabilité et une longévité optimales.

Durant la période d'application de la garantie limitée, il est impératif que toutes les interventions soient effectuées dans un atelier agréé Nanni. De plus, ces interventions doivent être enregistrées auprès du service après-vente Nanni.

Cependant, certaines opérations, en particulier celles à effectuer à chaque utilisation du moteur, ne peuvent être effectuées que par l'utilisateur du moteur. D'autres opérations relativement simples sont expliquées dans les pages

suivantes afin de vous permettre d'intervenir en cas d'urgence.

Nous vous recommandons de faire contrôler vos interventions par un technicien agréé Nanni.

Les réparations complexes réalisées hors du réseau Nanni ainsi que les modifications des réglages du moteur sont interdites pour des raisons de sécurité.

Les interventions de réparation effectuées de façon inapproprié sont dangereuses pour la personne intervenant sur le moteur et pour les passagers. Les interventions sur le réglage des soupapes, du système d'injection sont particulièrement sensibles.

**REMARQUE:** Les intervalles de maintenance et les instructions relatives à l'entretien de la transmission sont indiqués dans la documentation correspondante. Contactez un revendeur agréé Nanni en cas de questions relatives à la maintenance de la transmission.

L'horamètre indique les heures de fonctionnement du moteur.

# Programme d'entretien

**REMARQUE:** Une intervention journalière doit également être réalisée après 100 heures de fonctionnement ou tous les ans, et ainsi de suite. Certains composants peuvent ne pas faire partie du moteur.

Les interventions marquées par un ► doivent être réalisées dans un atelier agréé Nanni.

\* Indique que l'opération doit être réalisée après 20 heures de fonctionnement ou 45 jours après la mise en service.

## **AVANT CHAQUE UTILISATION DU MOTEUR**

- Contrôle du niveau d'huile moteur et de transmission. Ajout si nécessaire\*
- Contrôle du niveau et de l'état du liquide de refroidissement. Faire l'appoint si nécessaire \*
- Contrôle du filtre à eau brute, nettoyer si nécessaire \*
- Vidange de l'eau dans le préfiltre à carburant \*
- Contrôle de l'état de la batterie \*
- Contrôle des voyants du tableau de bord \*
- Contrôle et ajustement de l'étanchéité générale \*
- Contrôle de l'état du presse étoupe \*

## **TOUTES LES 100 HEURES D'UTILISATION / AU MOINS UNE FOIS PAR AN**

- Nettoyage du filtre à air. Remplacer si nécessaire
- Remplacement du filtre à carburant \*
- Contrôle de l'état et de la tension des courroies. Remplacer si nécessaire\*
- Contrôle des anodes. Remplacer si nécessaire \*
- Contrôle et serrage des connexions électriques, des câbles, des colliers et des vis \*
- Vidange et nettoyage du réservoir de carburant
- Contrôle du levier et des câbles de commande \*

## **TOUTES LES 200 HEURES D'UTILISATION / AU MOINS UNE FOIS PAR AN**

- Changement de l'huile moteur et de la transmission \*
- Changement des filtres à huile \*
- Changement des filtres à carburant \*
- Contrôle du rotor de pompe à eau brute. Remplacer si nécessaire
- Contrôle des suspensions moteurs. Régler si nécessaire \*
- ▶ Nettoyage de la Wastegate du Turbo
- ▶ Nettoyage du moteur et retouche de peinture si nécessaire

## **TOUTES LES 400 HEURES D'UTILISATION / AU MOINS UNE FOIS TOUS LES DEUX ANS**

- ▶ Remplacement du thermostat de l'échangeur de chaleur
- ▶ Remplacement du bouchon d'échangeur de chaleur
- ▶ Vidange et changement de liquide de refroidissement. Nettoyer le circuit de liquide de refroidissement
- ▶ Contrôle et nettoyage du faisceau d'échangeur. Remplacement du joint
- ▶ Contrôle et nettoyage du faisceau de refroidisseur d'air. Remplacement du joint
- ▶ Contrôle et nettoyage du faisceau de refroidisseur d'huile de transmission
- ▶ Contrôle des injecteurs. Remplacement si nécessaire
- ▶ Ajustement du jeu aux soupapes à froid
- ▶ Contrôle et nettoyage du Turbo

## Contrôle générale

### ⚠ **ATTENTION**

Ne laissez pas s'accumuler les dépôts d'huile, de carburant ou de graisse autour du moteur. Ceux-ci peuvent accentuer le risque d'incendie dans le compartiment moteur.

Prenez l'habitude de contrôler régulièrement l'état du moteur et de son compartiment avant et après chaque utilisation : contrôlez l'étanchéité du circuit de carburant et d'huile, le serrage des colliers et des boulons, l'état des courroies, des durites et des différents câbles électriques, l'usure des anodes (si équipé), le niveau d'électrolyte des batteries.

## Câbles de commande

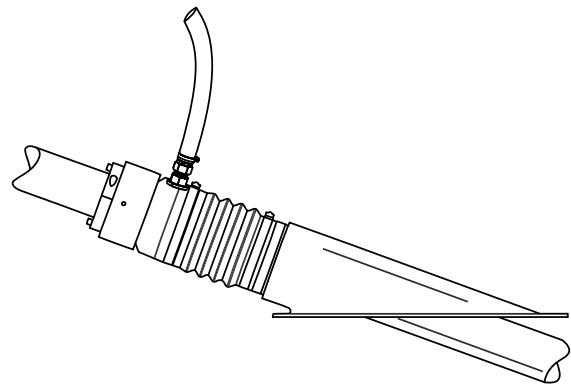
Si le régime de rotation du moteur et/ou la commande d'inversion de marche sont contrôlés par des câbles mécaniques, contrôlez leur état avant chaque utilisation.

Ajustez la tension des câbles si nécessaire. Si le moindre défaut apparaît (rouille, fissure), ils doivent être remplacés.

## Presse étoupe

### ⚠ **DANGER**

Un presse étoupe lubrifié par eau prélevée sur le système d'eau brute du moteur ne doit jamais être installé sur un voilier ou si le coude d'échappement du moteur se trouve sous la ligne de flottaison. Utilisez une prise d'eau séparée ou un presse étoupe à graisse sur tous les voiliers ou si le coude d'échappement se trouve sous la flottaison.



Si le bateau est équipé d'un presse étoupe à tresses, vérifiez l'étanchéité du système. Ce système n'est pas parfaitement étanche, il est tout à fait normal qu'il y ait une légère entrée d'eau. Un bon fonctionnement se caractérise par une entrée d'eau au goutte à goutte. Si l'eau entre en filet, signe d'un débit trop important, contactez rapidement un atelier agréé Nanni.

Dans tous les cas, assurez-vous que le presse étoupe soit suffisamment lubrifié.



## Systeme d'échappement

Contrôlez l'état de tous les composants du système d'échappement (flexibles, colliers, coude d'échappement, collecteur, etc.). Vérifiez qu'il n'y a pas de fissures, de fuites ou de traces de corrosion. Resserrez ou remplacez les composants si nécessaire.

Vérifiez également qu'il n'y a pas de résidus de carbone ou de suie. Leur présence peut indiquer une fuite au niveau du système d'échappement.

Si le moindre défaut apparaît sur un composant du système d'échappement, remplacez-le car il y a risque de fuite de gaz d'échappement et un risque de pénétration d'eau dans le moteur et le bateau.

## Admission d'air

### **⚠ AVERTISSEMENT**

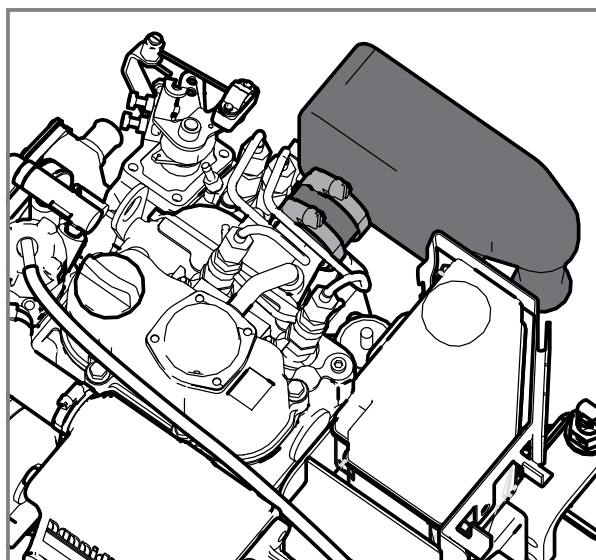
Réalisez ces opérations moteur arrêté et froid. Aucune impureté ne doit pénétrer dans le système d'admission d'air du moteur.

Le filtre à air réduit le bruit produit par le système d'admission d'air et empêche la pénétration de trop grosses particules dans le collecteur d'admission d'air.

La fiabilité et les performances du moteur dépendent en partie de la quantité et de la température de l'air d'admission.

Pour contrôler le filtre à air :

1. Déposez les colliers et le filtre.
2. Nettoyez l'intérieur du filtre avec de l'air sec comprimé.
3. Remplacez le filtre s'il est endommagé.
4. Installez le filtre et les colliers. Assurez-vous que les colliers sont suffisamment serrés, sans toutefois abîmer le filtre.



# Circuit de carburant

## **DANGER**

\* Arrêtez le moteur et laissez-le refroidir avant de faire le plein ou avant d'intervenir sur le circuit de carburant.

## **AVERTISSEMENT**

\* Le carburant est inflammable et peut être dangereux. Le carburant déversé sur une surface chaude ou à proximité d'une flamme peut s'enflammer.

\* Ne marchez pas sur les tuyaux d'injection. Assurez-vous qu'ils ne sont pas endommagés.

## **ATTENTION**

Une propreté absolue est nécessaire lors d'une intervention sur le circuit de carburant. Aucune impureté ne doit entrer dans le système d'injection. Veillez à ne pas renverser de carburant sur les flexibles.

**REMARQUE :** Les travaux sur le système d'injection doivent être effectués par un technicien agréé Nanni.

Vérifiez régulièrement l'état des composants du système de carburant (tuyaux, filtres, colliers, etc.) Changez-les si un défaut apparaît.

# Fonctionnement du circuit de carburant

Le carburant est aspiré du réservoir par la pompe d'alimentation puis est injecté dans la chambre de combustion par la pompe à injection. Un filtre à gasoil est placé entre la pompe d'alimentation et la pompe à injection.

La pompe à injection délivre une plus grande quantité de carburant que nécessaire pour la combustion. Le carburant qui n'est pas brûlé est ré-injecté dans le réservoir via un circuit de retour.

## **ATTENTION**

La pompe à injection est un élément extrêmement précis. La moindre présence d'eau dans le circuit de carburant peut être la cause de panne importante.

Un préfiltre à carburant séparateur d'eau doit être installé entre le réservoir et le filtre à carburant du moteur. Le préfiltre doit être installé le plus proche possible du filtre à carburant du moteur. Il ne doit jamais être monté sur le moteur, les vibrations altérant le processus de séparation de l'eau et du gasoil.

Si le réservoir se situe plus bas que la pompe à injection du moteur, une pompe d'alimentation électrique doit être installée entre la pompe d'alimentation du moteur et le préfiltre.

## Type de carburant

N'utilisez que des carburants respectant les normes indiquées dans le chapitre **SPÉCIFICATIONS**. L'utilisation d'un carburant de mauvaise qualité provoquera des problèmes de démarrage et un fort dégagement de fumée.

Avant de démarrer le moteur, assurez-vous que le niveau de carburant est au dessus du niveau mini. Si le niveau de carburant est trop bas, ajoutez du carburant sans dépasser le niveau maxi.

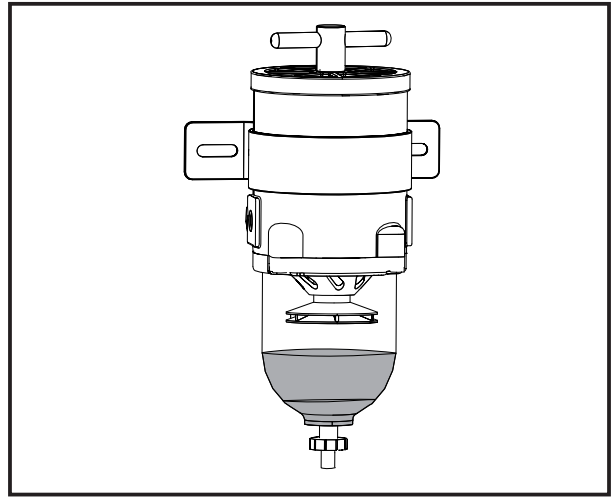
Utilisez un filtre pour filtrer le carburant lors du remplissage du réservoir. La présence d'impuretés dans le carburant peut provoquer des dysfonctionnements du système d'injection.

Si le bateau n'est pas utilisé pendant une longue période, remplissez le réservoir jusqu'au niveau maximum.

## Préfiltre à carburant

Le préfiltre à carburant est un équipement optionnel qui ne fait pas partie de la fourniture standard du moteur. Le modèle de préfiltre pouvant varier, ces instructions sont données à titre d'exemple.

**REMARQUE:** Vidangez l'eau dans le préfiltre avant de démarrer le moteur.

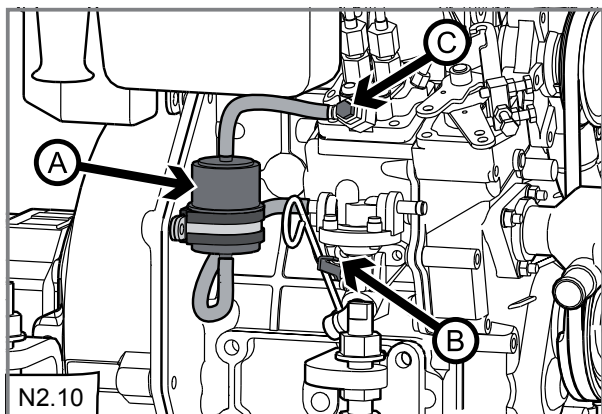


1. Fermez la vanne d'alimentation au niveau du réservoir carburant.
2. Placez un récipient sous le préfiltre. Vidangez l'eau dans le préfiltre en desserrant le bouchon sous la cuve.
3. Serrez le bouchon une fois l'eau vidangée.
4. Contrôlez l'élément filtrant, remplacez-le si nécessaire.
5. Ouvrez la vanne d'alimentation au niveau de réservoir.
6. Si l'élément filtrant a été changé, purgez le circuit. Démarrez le moteur et vérifiez l'absence de fuite.

## Remplacement du filtre à carburant

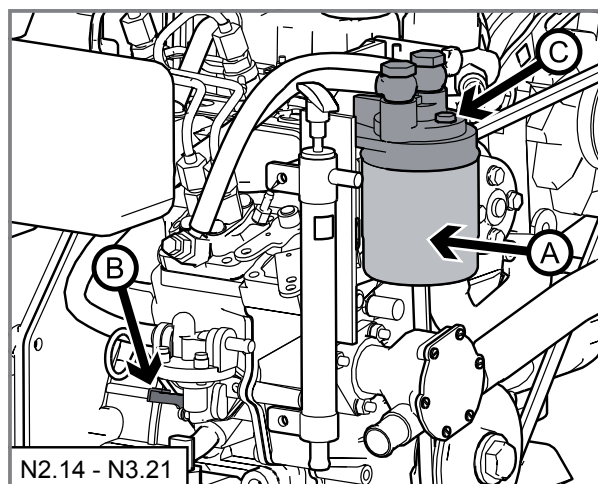
**REMARQUE:** Ne remplissez pas le nouveau filtre avec du carburant lors du remontage.

### MOTEUR MODÈLE N2.10 :



1. Fermez la vanne d'alimentation de carburant et nettoyez le support de filtre.
2. Pour éviter de faire couler du carburant sur le moteur, pincez les flexibles reliés au filtre.
3. Déconnectez les flexibles. Nettoyez-les.
4. Déposez le filtre **A**. Placez un sac en plastique autour du filtre pour ne pas faire couler de carburant sur le moteur.
5. Remplacez le filtre en respectant le sens de montage indiqué par les flèches. Reconnectez les flexibles.
6. Retirez les pinces des flexibles.
7. Ouvrez la vanne d'alimentation et purgez le circuit.

### MOTEUR MODÈLE N2.14 & N3.21:



1. Fermez la vanne d'alimentation de carburant et nettoyez le support de filtre.
2. Placez un sac en plastique autour du filtre pour ne pas faire couler de carburant sur le moteur.
3. Déposez le filtre à carburant **A**. Utilisez une clé à filtre si nécessaire.
4. Vérifiez et nettoyez la surface de contact du support de filtre. Appliquez un film de carburant sur le joint.
5. Vissez le nouveau filtre à la main jusqu'à ce que le joint touche la surface de contact. Vissez un demi-tour supplémentaire.
6. Ouvrez la vanne d'alimentation et purgez le circuit.

## Purge du circuit de carburant

Il est nécessaire de purger le circuit de carburant :

- Après une intervention sur le circuit de carburant.
- Lorsque le réservoir a été vidé.
- Lorsque le moteur n'a pas démarré depuis longtemps.

Pour purger le circuit carburant **S'IL N'EST PAS ÉQUIPÉ** d'une pompe d'alimentation électrique :

1. Remplissez totalement le réservoir de carburant. Ouvrez la vanne d'alimentation.
2. Desserrez la vis de purge **C**. Placez des chiffons autour de la vis.
3. Pompez le carburant en utilisant le levier **B** jusqu'à ce que du carburant sans bulle s'écoule de la vis.

**REMARQUE:** Si le levier est trop dur à actionner, faites tourner le vilebrequin du moteur d'une fraction de tour.

4. Continuez à pomper et en même temps resserrez la vis de purge.
5. Actionnez le levier quelques fois supplémentaires pour amorcer le circuit.

Pour purger le circuit carburant **S'IL EST ÉQUIPÉ** d'une pompe d'alimentation électrique :

1. Remplissez totalement le réservoir de carburant. Ouvrez la vanne d'alimentation.
2. Desserrez la vis de purge **C**. Placez des chiffons autour de la vis.
3. Démarrez le moteur 5 à 10 secondes pour permettre à la pompe électrique d'aspirer le carburant jusqu'à la pompe à injection.
4. Pompez le carburant en utilisant le levier **B** jusqu'à ce que du carburant sans bulle s'écoule de la vis.
5. Continuez à pomper et en même temps resserrez la vis de purge.
6. Actionnez le levier quelques fois supplémentaires pour amorcer le circuit.

### **ATTENTION**

Évitez de vider tout le carburant dans le filtre.



# Circuit de lubrification

## ⚠ **DANGER**

Arrêtez le moteur, retirez la clé et coupez l'alimentation électrique avant d'intervenir. L'huile chaude et les surfaces chaudes peuvent brûler.

## ⚠ **ATTENTION**

\* Si une trop grande quantité d'huile a été ajoutée, ne démarrez pas le moteur et retirez la quantité d'huile en excès.

\* Respectez le type d'huile préconisé pour la transmission.

**REMARQUE:** Lorsque le moteur est neuf ou remis à neuf, l'huile et le filtre doivent être changés après 20 heures de fonctionnement. Utilisez une huile de qualité préconisée dans le chapitre **SPÉCIFICATIONS**. Les recours en garantie seront rejetés si une huile inadéquate a été utilisée.

La viscosité doit être adaptée en fonction des conditions climatiques (voir chapitre **PRÉSENTATION**).

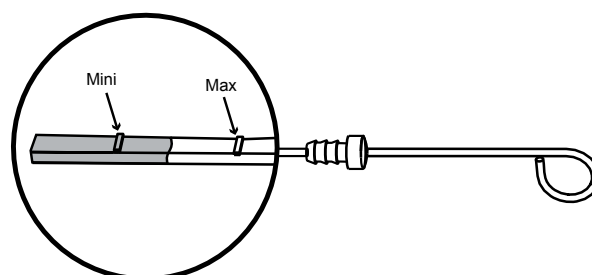
## Niveau d'huile - Ajout

Contrôlez le niveau d'huile du moteur et de la transmission avant chaque utilisation.

Le niveau d'huile doit se trouver dans la plage indiquée sur la jauge d'huile, entre les encoches indiquant le niveau mini et le niveau maxi.

Pour vérifier le niveau d'huile:

1. Retirez la jauge et essuyez-la.
2. Insérez la jauge et retirez-la.
3. Contrôlez le niveau d'huile.



Si le niveau est trop bas, retirez le bouchon de remplissage et rajoutez de l'huile lentement. Attendez quelques minutes puis vérifiez le niveau.

## ⚠ **ATTENTION**

Ne dépassez jamais le niveau maxi indiqué sur la jauge. Ne démarrez pas le moteur si le niveau d'huile se trouve en dessous du niveau mini ou au dessus du niveau maxi.

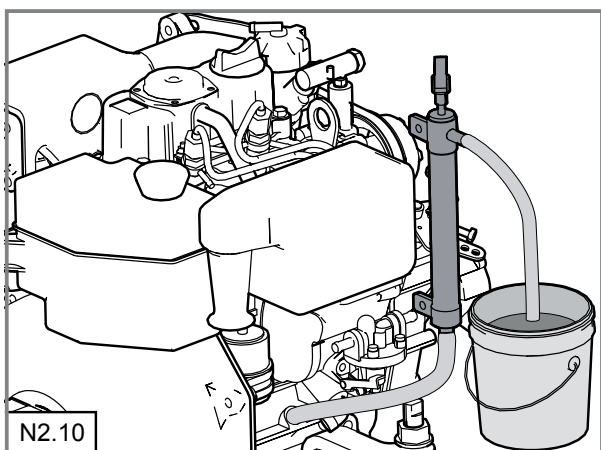
**REMARQUE:** Vidangez toute l'huile lors de la vidange. Ne jamais mélanger des huiles n'ayant pas les mêmes caractéristiques.



## Vidange de l'huile moteur

1. Démarrez le moteur et faites-le tourner quelques minutes afin de fluidifier l'huile.
2. Arrêtez le moteur et retirez la clé du tableau de bord.
3. Connectez le tuyau d'évacuation à la pompe et placez un récipient sous le tuyau d'évacuation.

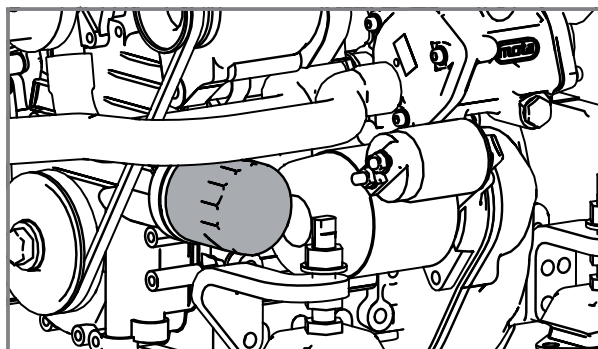
**REMARQUE:** Sur le N2.10, retirez la jauge d'huile et connectez la pompe de vidange à l'orifice de la jauge d'huile.



4. Pompez jusqu'à aspirer toute l'huile dans le carter. Retirez le tuyau d'évacuation et bloquez la pompe.
5. Pour le N2.10, retirez la pompe de l'orifice de jauge d'huile et remettez la jauge en place.

## Changement du filtre à huile

Changez le filtre à huile lors de chaque vidange.



1. Déposez le filtre à l'aide d'une clé à filtre en tournant dans le sens anti-horaire. Déposez le joint.
2. Nettoyez la surface de contact afin d'empêcher des impuretés de pénétrer dans le moteur.
3. Appliquez une fine couche d'huile sur le joint. Remettez le nouveau filtre avec le nouveau joint en place en le serrant à la main. Quand le filtre touche la surface de contact, serrez d'un demi-tour.
4. Remplissez le carter d'huile jusqu'au niveau spécifié. Contrôlez l'étanchéité et le niveau d'huile.
5. Démarrez le moteur et faites-le tourner au ralenti quelques minutes. Vérifiez que l'alarme de pression d'huile ne s'allume pas.
6. Arrêtez le moteur, vérifiez le niveau d'huile. Faites l'appoint si nécessaire.



# Système de refroidissement

## Présentation

Le système de refroidissement permet de maintenir le moteur à une température de fonctionnement optimale. Sur certains moteurs, le système de refroidissement refroidit également le carburant, l'huile ou l'air d'admission. Le système de refroidissement est composé de 2 circuits :

- Le **CIRCUIT DE LIQUIDE DE REFROIDISSEMENT** fermé, dans lequel circule du liquide de refroidissement sous pression qui permet de refroidir le moteur.
- Le **CIRCUIT D'EAU BRUTE** qui refroidit le liquide de refroidissement. En version standard, les moteurs Nanni sont équipés d'un échangeur de chaleur dans lequel circule de l'eau brute qui refroidit le liquide de refroidissement par échange de chaleur. Un système de refroidissement par la coque (Keel Cooling) peut également être utilisé.

Afin de maintenir le moteur à une température de fonctionnement optimale, un thermostat régule la température du liquide de refroidissement.

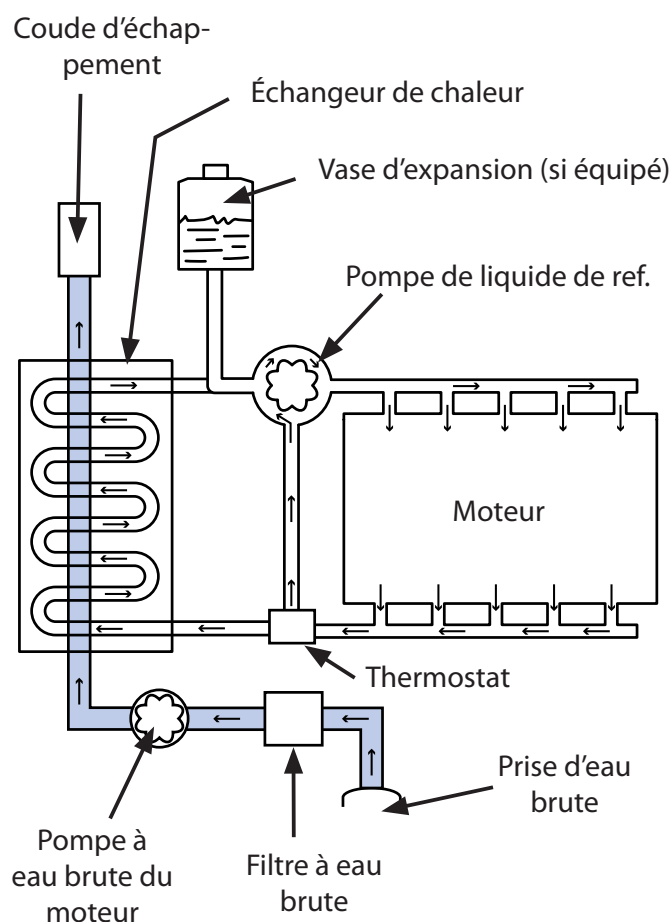
### ⚠ ATTENTION

\* Les moteurs avec échangeur de chaleur ne sont pas adaptés à un système de refroidissement par Keel Cooling.

\* Un fonctionnement du moteur sans liquide de refroidissement ou sans eau brute, même pendant quelques secondes, entraînera une surchauffe du moteur pouvant aboutir à une panne totale.

## Principe de fonctionnement

Principe de fonctionnement d'un moteur avec échangeur de chaleur:



## Liquide de refroidissement

### **ATTENTION**

\* Utilisez un liquide de refroidissement composé à 50% d'antigel avec un additif anticorrosion et 50% d'eau pure. Ce mélange permet de protéger le moteur contre le gel et la corrosion interne.

\* Ce mélange doit être utilisé toute l'année, même s'il n'y a pas de risque de gel.

\* N'utilisez jamais seulement de l'eau pour remplir complètement le circuit de refroidissement.

### **EAU PURE**

Utilisez de l'eau douce, de l'eau distillée ou de l'eau du robinet. L'eau minéral contient généralement des minéraux et du sel, qui peuvent oxyder les métaux et accélérer le phénomène de corrosion.

### **ANTIGEL**

N'utilisez jamais d'antigel de mauvaise qualité. Les principaux composants de l'antigel peuvent accélérer le phénomène de corrosion et la formation de rouille. De plus, les antigel de mauvaise qualité ne protègent pas suffisamment contre la corrosion. Leur effet devenant moins efficace une fois dilué dans l'eau.

Choisissez un additif qui n'aura pas d'effets négatifs sur le système de refroidissement. Ne mélangez jamais des additifs différents, cela peut provoquer des réactions chimiques et donc des dysfonctionnements.

### **CHAUFFE-EAU**

Un chauffe-eau peut être connecté au circuit de liquide de refroidissement du moteur.

Si le chauffe-eau est installé plus haut que le moteur, un vase d'expansion additionnel doit être installé au dessus du chauffe-eau.

La capacité totale de liquide de refroidissement devra être adaptée en fonction du modèle de chauffe-eau.

### **EXPANSION DU LIQUIDE DE REFROIDISSEMENT**

En se réchauffant, le liquide de refroidissement se dilate et occupe un volume plus important qu'à froid.

Un vase d'expansion monté sur le moteur permet de compenser cette expansion.

### **ATTENTION**

Le vase d'expansion monté sur le moteur ne doit jamais être déplacé, sauf autorisation préalable de Nanni Industries S.A.S. France.

## Niveau de liquide de refroidissement

### **⚠ DANGER**

Ne retirez jamais un des bouchons du circuit de refroidissement lorsque le moteur est en fonctionnement ou chaud. De la vapeur ou du liquide chaud peuvent jaillir.

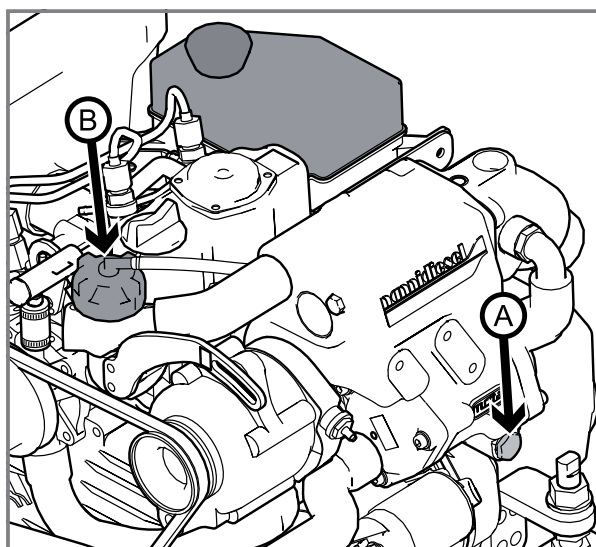
Vérifiez toujours le niveau de liquide de refroidissement avant de démarrer le moteur.

1. Arrêtez le moteur, retirez la clé du tableau de bord.
2. Tournez le bouchon de remplissage de liquide de refroidissement lentement jusqu'à sa première butée pour laisser la pression s'échapper puis retirez-le.
3. Le niveau de liquide doit se trouver entre le bord inférieur de l'orifice de remplissage et l'ergot de niveau.
4. Si nécessaire, faites l'appoint avec de l'eau pure seulement.
5. Remettez le bouchon en place.
6. Vérifiez le niveau de liquide dans le vase d'expansion (si équipé). Il doit se trouver entre le niveau Mini et Maxi indiqué sur le vase. Ajoutez de l'eau pure si nécessaire.

**REMARQUE:** Le niveau Mini et Maxi indiqué sur le vase d'expansion n'indique pas le niveau de liquide de refroidissement.

## Vidange du liquide de refroidissement

1. Arrêtez le moteur, retirez la clé du tableau de bord.
2. Placez un récipient sous le bouchon de vidange de l'échangeur **A** pour récupérer le liquide.
3. Retirez les bouchons **A** et **B**.
4. Vidangez tout le circuit (vase d'expansion, flexibles, etc.).
5. Rincez l'intérieur de l'échangeur en insérant un flexible dans l'orifice de remplissage **B**. Nettoyez jusqu'à ce que l'eau s'écoulant de l'orifice de vidange **A** soit propre.
6. Remettez en place le bouchon de vidange **A** et faites le plein de liquide de refroidissement.

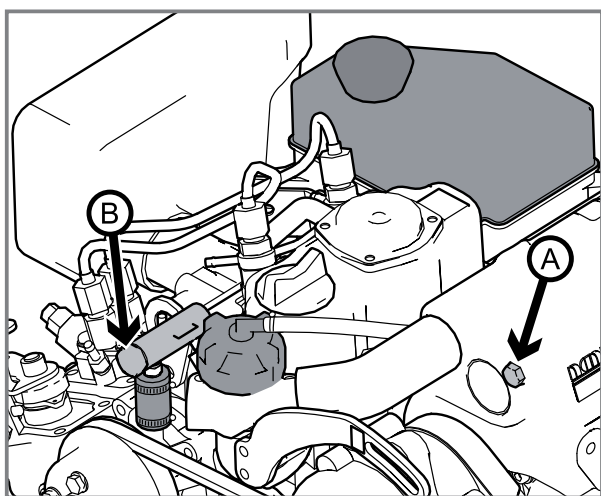


## Remplissage de liquide de refroidissement

Préparez le mélange d'antigel et d'eau dans un récipient propre avant de remplir l'échangeur. Aucune impureté ne doit pénétrer dans le circuit. Remplissez lentement pour ne pas introduire d'air dans le circuit.

La quantité de liquide de refroidissement nécessaire pour remplir le système de refroidissement est indiquée dans le chapitre **SPÉCIFICATIONS**. La quantité de liquide devra être adaptée si un chauffe-eau est connecté au moteur ou dans le cas d'un système de refroidissement par Keel Cooling.

Pour remplir le circuit :



1. Déposez les bouchons d'évent **A** et **B**.
2. Déposez le bouchon de remplissage de l'échangeur et remplissez l'échangeur.

3. Remettez les bouchons d'évent en place lorsque le liquide s'écoule des orifices.

4. Continuez à remplir jusqu'au niveau spécifié.

5. Remettez le bouchon de remplissage en place et ajoutez du liquide dans le vase d'expansion si nécessaire.

6. Démarrez le moteur et faites le tourner au ralenti quelques minutes.

7. Arrêtez le moteur. Attendez quelques minutes et vérifiez le niveau de liquide. Faites l'appoint si nécessaire.



## Circuit d'eau brute

### **DANGER**

Lorsque le bateau est dans l'eau, de l'eau peut s'infiltrer via tous les composants situés sous la ligne de flottaison. Fermez la vanne passe coque (si équipé) ou empêchez la pénétration d'eau dans le bateau par tous les moyens possibles avant d'intervenir sur le circuit d'eau brute.

Le circuit d'eau brute permet de refroidir le liquide de refroidissement et la sortie d'échappement du moteur.

L'eau brute est aspirée par la pompe du moteur puis passe dans l'échangeur de chaleur. L'eau brute est ensuite évacuée via le coude d'échappement, où elle est mélangée avec les gaz d'échappement.

Les moteurs conçus pour un système de refroidissement par Keel Cooling ne sont généralement pas équipés de circuit d'eau brute (pompe, échangeur, vanne passe coque, etc.). Le liquide de refroidissement est refroidi en passant dans des tubes incorporés à la coque.

**REMARQUE:** S'il existe un risque de gel, le circuit d'eau brute doit être vidangé.

## Anti-siphon

### **DANGER**

Fermez la vanne passe coque avant d'intervenir sur le circuit d'eau brute.

**REMARQUE:** L'utilisation d'un anti-siphon est obligatoire si le coude d'échappement se situe plus bas que la ligne de flottaison à pleine charge ou à moins de 200 mm au dessus de celle-ci. L'installation d'un anti-siphon est obligatoire sur tous les voiliers et s'il existe le moindre risque de pénétration d'eau dans le moteur.

L'anti-siphon empêche l'entrée d'eau brute dans les cylindres par le système échappement.

Pour fonctionner correctement, l'anti-siphon doit être nettoyé 2 fois par saison et changé dès qu'un défaut ou une fuite apparaît.

Inspectez-le régulièrement et nettoyez-le en suivant les instructions fournies par le fabricant.

## Rotor de pompe à eau brute

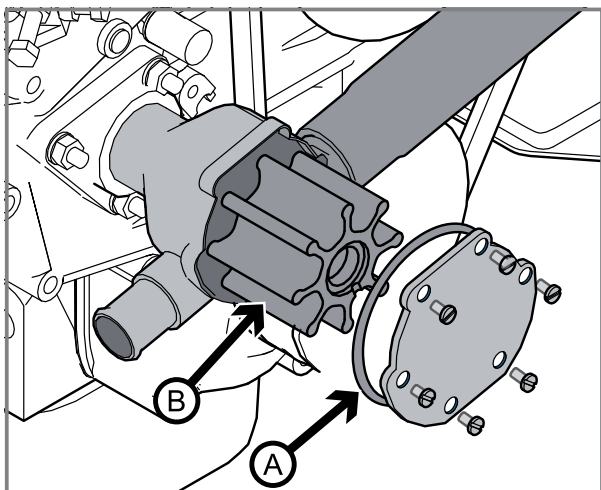
### ⚠ ATTENTION

Si le moteur a fonctionné sans alimentation d'eau brute, vérifiez le rotor de pompe. Remplacez-le si nécessaire.

Le rotor de pompe à eau brute est un composant essentiel du moteur. Il doit être remplacé régulièrement ainsi que le joint. Un rotor usé peut s'effriter et endommager le système de refroidissement. Ayez toujours un rotor de secours à bord.

**REMARQUE:** La durée de vie du rotor de pompe à eau brute dépend des conditions d'utilisation.

Pour extraire le rotor:



**1.** Arrêtez le moteur, retirez la clé du tableau de bord et fermez la vanne passe-coque.

**2.** Retirez le couvercle de la pompe.

**3.** Déposez le joint **A**.

**4.** Marquez la position du rotor **B** dans la pompe afin de le réinstaller dans la même position s'il n'est pas nécessaire de le changer.

**5.** Retirez le rotor avec précaution à l'aide d'un extracteur.

**6.** Contrôlez l'état du rotor. Vérifiez qu'il ne soit pas endommagé ou que des ailettes ne soient pas cassées ou manquantes. Remplacez-le si le moindre défaut apparaît et vidangez le circuit d'eau brute.

**7.** Inspectez le couvercle et le joint d'étanchéité. Remplacez-les s'ils sont endommagés ou corrodés.

**8.** Lubrifiez l'intérieur de la pompe et du couvercle avec de la graisse hydrofuge pour caoutchouc.

**9.** Remontez le rotor. Si vous réinstallez l'ancien rotor, positionnez-le dans la même position que lors du démontage. Faites tourner le rotor dans le sens de rotation du moteur. Lubrifiez-le avec de la graisse hydrofuge pour caoutchouc.

**10.** Installez le nouveau joint et le couvercle sur le corps de pompe.

**11.** Ouvrez la vanne passe coque, vérifiez l'étanchéité. Si nécessaire, amorcez le circuit d'eau brute en ajoutant de l'eau dans le filtre à eau brute.

**12.** Démarrez le moteur et vérifiez l'étanchéité.



## Nettoyage du filtre à eau brute

Un filtre à eau brute doit être installé entre la vanne passe coque et la pompe à eau brute du moteur.

Cet élément ne faisant pas partie de la fourniture standard du moteur, le modèle de filtre peut varier en fonction du bateau. Ces instructions sont donc données à titre d'exemple.

Contrôlez l'état du filtre à eau brute plus régulièrement qu'indiqué dans le tableau de maintenance si le bateau navigue dans des eaux sales ou chargées en boues.

Pour nettoyer le filtre:

1. Arrêtez le moteur, retirez la clé du tableau de bord et fermez la vanne passe-coque.
2. Contrôlez l'état du filtre. Si des dépôts se sont formés, démontez le couvercle et retirez le joint.
3. Retirez toutes les impuretés. Rincez le filtre à l'eau douce, contrôlez l'état du joint.
4. Remontez tous les composants, ouvrez la vanne passe coque. Démarrez le moteur et vérifiez l'étanchéité.

**REMARQUE:** Quand le bateau est hors de l'eau, vérifiez que le circuit d'eau brute n'est pas obstrué par de la boue ou des algues.

## Vidange du circuit d'eau brute

### AVERTISSEMENT

Autant que possible, réalisez ces opérations lorsque le bateau est hors de l'eau. Si le bateau ne peut pas être sorti de l'eau, fermez la vanne passe coque et empêchez l'eau de s'infiltrer.

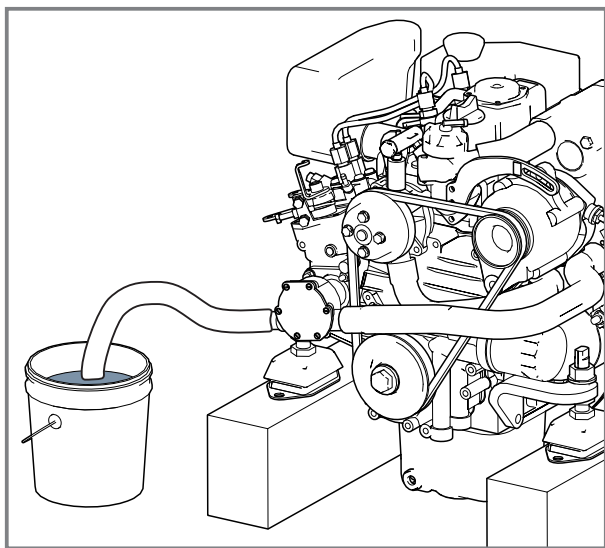
1. Arrêtez le moteur, retirez la clé du tableau de bord et fermez la vanne passe-coque.
2. Retirez le couvercle de la pompe à eau brute.
3. Démontez le couvercle du filtre à eau brute et retirez le joint.
4. Si un anti-siphon est installé, vidangez-le en suivant les instructions du fabricant.
5. Vidangez le système de refroidissement d'huile de la transmission (si équipé).
6. Vidangez le pot d'échappement et tous les composants du système d'échappement.
7. Remontez tous les composants. Ouvrez la vanne passe coque et contrôlez l'étanchéité. Si nécessaire, amorcez le circuit d'eau brute en ajoutant de l'eau dans le filtre à eau brute.



## Circuit d'eau brute - nettoyage et protection contre la corrosion

Le circuit d'eau brute doit être vidangé et nettoyé à l'eau douce pour éviter l'accumulation de dépôts et de cristaux de sel dans le circuit. Il doit également être protégé contre la corrosion et le gel lorsque le moteur n'est pas utilisé pendant une longue période.

1. Arrêtez le moteur et fermez la vanne passe-coque.
2. Démontez le flexible coté sortie du filtre à eau brute.
3. Placez le flexible dans un réservoir rempli d'eau douce. Le réservoir doit être assez grand, la pompe ne devant jamais fonctionner sans eau.



4. Assurez-vous que personne ne se trouve à proximité du moteur, de l'hélice ou de la sortie d'échappement. Positionnez la manette en position neutre et démarrez le moteur.

5. Faites tourner le moteur quelques minutes au ralenti, rajoutez de l'eau douce dans le réservoir si nécessaire.

6. Arrêtez le moteur.

7. Remplissez le réservoir avec du liquide de refroidissement (50% eau, 50% antigel et additif anticorrosion)

8. Démarrez le moteur et faites le tourner au ralenti. Ajoutez du liquide de refroidissement dans le réservoir pour remplir le circuit d'eau brute avec du liquide de refroidissement.

9. Arrêtez le moteur avant que le réservoir soit vide.

10. Rebranchez les flexibles.

11. Vidangez le liquide de refroidissement avant la prochaine utilisation du moteur.

### ⚠ AVERTISSEMENT

Contrôlez l'étanchéité générale avant de redémarrer le moteur.

### ⚠ ATTENTION

Vidangez toute l'eau brute et le liquide de refroidissement si le moteur n'est pas utilisé pendant une longue période. .

# Système électrique

## **DANGER**

Arrêtez le moteur et ouvrez le coupe circuit principal (position OFF) pour couper le courant avant d'intervenir sur le système électrique. Isolez les accessoires montés sur le moteur de l'alimentation de quai.

## **ATTENTION**

Le coupe circuit doit toujours être fermé (position ON) lorsque le moteur fonctionne. Ne déconnectez jamais les câbles des batteries ou de l'alternateur lorsque le moteur fonctionne.

## Câbles et connecteurs

Contrôlez régulièrement l'état des câbles et des connecteurs.

Tous les câbles doivent être fixés le plus haut possible dans la cale, à l'écart de toute projection d'eau. Remplacez-les si le moindre défaut apparaît.

Serrez les cosses et lubrifiez-les avec de la graisse appropriée.

## Fusibles

Le système électrique du moteur est protégé des surcharges par des fusibles.

Si le système électrique du moteur ou le tableau de bord ne fonctionne pas ou que le moteur ne démarre pas, un fusible s'est peut être déclenché.

Recherchez la cause avant de ré-initialiser le fusible. Ayez toujours des fusibles de secours à bord. Remplacez un fusible qui a fondu par un fusible de même calibre.

## **ATTENTION**

Si le fusible de remplacement déclenche, la cause peut être un problème électrique. Ne démarrez pas le moteur, sauf en cas d'urgence, et contactez un atelier agréé Nanni.

## Bateau à coque métallique

Les moteurs installés dans des bateaux à coques métalliques sont généralement équipés d'un système électrique bipolaire. Ce système permet d'isoler le circuit électrique du moteur de la masse du bateau.

Dans ce cas, des précautions particulières sont à prendre. Contactez votre revendeur agréé Nanni pour plus d'informations.

# Batterie

## **DANGER**

\* Ne touchez jamais l'électrolyte contenue dans les batteries. Ce liquide est composé d'acide sulfurique qui peut trouer les vêtements et brûler la peau. En cas de contact, rincez immédiatement et abondamment à l'eau claire et consultez un médecin.

\* Déconnectez les câbles des batteries avant de réaliser des travaux de soudure sur une coque métallique.

Lisez toujours les recommandations du fabricant avant d'utiliser la batterie.

La batterie doit être propre et sèche. L'oxydation ou le dépôt d'impuretés sur la batterie et sur ses bornes peut entraîner des courts-circuits, les chutes de tension et de décharge prématurée, notamment en climat humide. Utilisez une brosse métallique pour nettoyer les bornes de la batterie.

Pour **DÉBRANCHER** les câbles, déconnectez toujours **D'ABORD** le câble relié à la borne **NÉGATIVE (-)**, puis celui relié à la borne **POSITIVE (+)**.

Pour **BRANCHER** les câbles, connectez d'abord le câble du **POSITIF (+)** sur la borne **POSITIVE (+)** de la batterie, puis connectez le circuit **NÉGATIF (-)**.

Utilisez de l'eau distillée pour compléter le niveau d'électrolyte. Suivez en priorité les instructions du fabricant pour mettre à niveau l'électrolyte. Dans le cas d'une batterie type sans entretien (niveau d'électrolyte ne peut pas être ajusté), n'utilisez pas et ne rechargez pas la batterie si le niveau d'électrolyte se situe en dessous du niveau mini.

Lorsque vous complétez le niveau d'électrolyte, dévissez les bouchons en les laissant dans les trous.

## **DANGER**

Le compartiment de la batterie doit être correctement ventilé. Lors de la charge, une batterie produit de l'hydrogène extrêmement explosif.

Si la batterie est remplacée, utilisez une batterie ayant des caractéristiques similaires à la précédente.

Pour recharger simultanément deux batteries indépendantes avec un seul alternateur, l'utilisation d'un répartiteur de charge est nécessaire. Contactez votre revendeur agréé pour plus d'informations.

## **STOCKAGE DES BATTERIES**

Lorsque le moteur n'est pas utilisé, ajustez le niveau d'électrolyte de la batterie et stockez-la dans un endroit sec. Rechargez la batterie aussi souvent que possible afin de prolonger sa durée de vie.

## Courroie d'alternateur

### **⚠ DANGER**

Arrêtez le moteur et retirez la clé du tableau avant d'intervenir sur la courroie d'alternateur.

Ayez toujours une courroie de secours à bord du bateau.

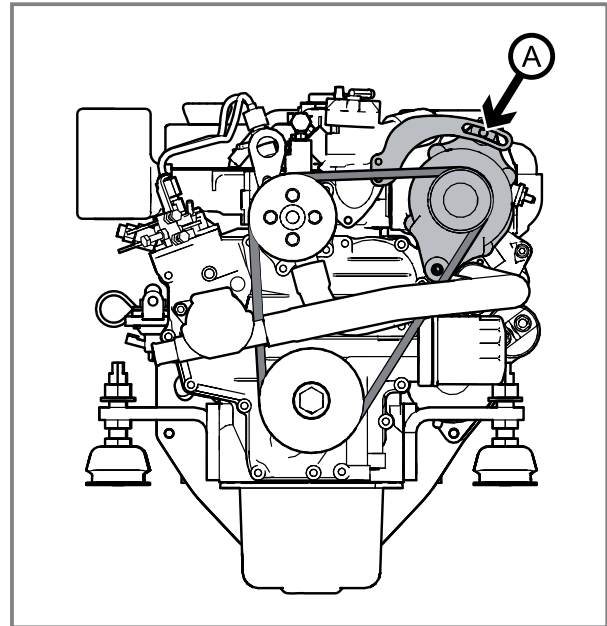
La courroie d'alternateur entraîne la pompe de liquide de refroidissement et l'alternateur.

Une courroie détendue ou endommagée peut être la cause d'un refroidissement insuffisant ou d'un défaut de charge de l'alternateur. Une courroie trop tendue pouvant endommager les roulements de pompe et l'alternateur.

Inspectez visuellement la courroie: vérifiez qu'elle ne soit pas excessivement usée et que l'armature ne soit pas effilochée. Remplacez-la si le moindre défaut apparaît. Vérifiez également que la courroie s'insère correctement dans les gorges des poulies.

Contrôlez la tension de la courroie: elle doit pouvoir bouger de 8 à 10 mm en appuyant dessus entre deux poulies lorsque la courroie est chaude.

Pour ajuster la tension de la courroie:



1. Arrêtez le moteur et retirez la clé du tableau.
2. Desserrez la vis de fixation de l'alternateur **A** et déplacez l'alternateur pour ajuster la tension de la courroie.
3. Serrez le boulon de fixation de l'alternateur.
4. Contrôlez la tension de la courroie après quelques heures d'utilisation.



# Protection contre la corrosion

Le moteur ainsi que tous les éléments métalliques dans le bateau qui sont exposés à l'eau ou à l'humidité peuvent être endommagés par la corrosion.

Il existe deux principaux types de corrosion: la corrosion galvanique et la corrosion électrolytique. Elles sont toutes deux le résultat d'un courant électrique circulant dans une solution électrolytique telle que l'eau.

## Corrosion galvanique

La corrosion galvanique est due à une réaction électrochimique : lorsque des métaux différents sont immergés dans l'eau ou exposés à l'humidité, un courant électrique se crée entre eux. Ce courant va corroder le métal plus anodique.

Plusieurs facteurs, cumulés ou non, aggravent ces effets :

- Une concentration élevée de minéraux et/ou de sel dans l'eau.
- Une eau chaude (> 25°C).
- La navigation régulière à grande vitesse ou dans une zone avec un fort courant.
- Une différence importante entre la surface cathodique et la surface anodique.

Des anodes en magnésium ou en zinc sont utilisées pour protéger le bateau et le moteur contre la corrosion galvanique. Ces anodes se détérioreront à la place des autres composants en métal.

Durant la première année d'utilisation, contrôlez la détérioration des anodes tous les 3 mois. Durant les périodes prolongées au mouillage ou au port à côté d'autres bateaux, contrôlez l'usure des anodes plus fréquemment.

En fonction des conditions d'utilisation et des propriétés de l'eau, il peut être nécessaire de vérifier et/ou remplacer les anodes plus fréquemment. L'utilisation d'une protection supplémentaire contre la corrosion pouvant être nécessaire dans certains cas.

### **ATTENTION**

Les anodes ne doivent jamais être peintes ou endommagées. Elles doivent être changées dès qu'elles sont corrodées de plus de 50%.

## Corrosion électrolytique

La corrosion électrolytique est provoquée par des courants de fuite qui circulent à travers les éléments métalliques exposés à l'eau. Les courants de fuite sont dus à des défauts sur les systèmes électriques des bateaux et les systèmes d'alimentation de quai.

Les conséquences de la corrosion électrolytique sont identiques à celles de la corrosion galvanique. En revanche, les mesures de protection contre la corrosion galvanique ne sont que partiellement efficaces contre la corrosion électrolytique.

Pour protéger le moteur contre la corrosion électrolytique, les recommandations suivantes doivent être suivies:

- Les câbles électriques ne doivent jamais être exposés à l'eau ou à l'humidité. Ils doivent être à l'écart de toute contrainte mécanique, de frottement, etc.
- Si le bateau est raccordé à une prise de quai, la masse de sécurité doit être à la terre, jamais à la masse du bateau. L'alimentation à quai doit toujours avoir un disjoncteur de défaut de masse.
- Les équipements d'alimentation de quai doivent être conçus pour un usage marin.

- Tous les équipements à bord équipés d'une borne de masse, le moteur ainsi que les anodes doivent être connectés à la masse commune du bateau.

### **DANGER**

Dans le cas d'un moteur équipé d'un système électrique bipolaire, le pôle négatif de la batterie ne doit jamais être connecté à la masse du bateau.

### **ATTENTION**

Le Sail Drive modèle SP60 est isolé électriquement du moteur. Ne raccordez jamais le Sail Drive SP60 à la masse commune du bateau, à un objet métallique ou un équipement électrique.

- Un interrupteur principal doit être connecté au circuit positif (+) de la batterie. Cet interrupteur doit être ouvert (OFF) quand le bateau n'est pas utilisé pour couper l'alimentation électrique.

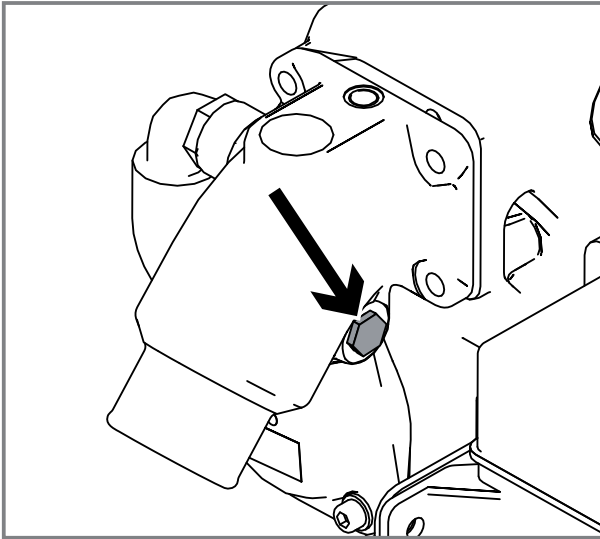
### **ATTENTION**

Si le bateau est équipé d'un système de protection contre la corrosion alimenté par une batterie, veillez à ne pas couper son alimentation.



## Anode du moteur

Le moteur est équipé d'une anode de zinc qui le protège contre les effets de la corrosion galvanique.



La périodicité de la maintenance de l'anode donnée dans le programme d'entretien est une recommandation. En fonction des conditions d'utilisation et des propriétés de l'eau dans laquelle le bateau navigue, il peut être nécessaire de vérifier et/ou remplacer l'anode plus fréquemment.

Pour déposer l'anode :

### **⚠ AVERTISSEMENT**

Réalisez ces opérations moteur arrêté et froid.

1. Retirez la clé du tableau de bord.
2. Fermez la vanne passe coque.
3. Vidangez le système d'eau brute.

4. Déposez le bouchon, le joint puis l'anode.

5. Enlevez les dépôts de la surface de l'anode avant de déterminer son niveau d'érosion. Ne pas utiliser une brosse en acier pouvant laisser des dépôts qui sont de nature à accélérer la corrosion.

6. Si l'anode est usée à plus de 50%, remplacez-la ainsi que le joint.

La longueur d'une anode neuve est de 16 mm.

### **⚠ ATTENTION**

Vissez le bouchon sur l'anode fermement et n'oubliez pas de ré-ouvrir la vanne passe-coque.





# Stockage longue durée

Un ensemble d'opérations permet de protéger le moteur et la transmission lorsque le bateau n'est pas utilisé pendant une longue période.

Reportez-vous au chapitre correspondant dans la section **MAINTENANCE** pour effectuer certaines de ces opérations. Nous vous recommandons cependant de faire réaliser toutes ces opérations par un atelier agréé Nanni.

**REMARQUE:** Il peut être nécessaire d'adapter certaines opérations en fonction des conditions climatiques. Contactez un atelier agréé Nanni pour plus d'informations.

Pour un stockage prolongé supérieur à 12 mois avant ou après une première utilisation, un ensemble de mesures particulières sont à prévoir. Ces opérations doivent absolument être réalisées par un atelier agréé Nanni.

\* Si le moteur est exposé au gel, vidangez le liquide de refroidissement et le circuit d'eau brute. Indiquez que le moteur ne contient pas de liquide de refroidissement.

# Procédure de stockage

Effectuez les opérations d'entretien périodique avant la procédure de stockage.

1. Vidangez et changez l'huile du moteur et de la transmission.
2. Changez le filtre à huile moteur.
3. Remplacez le préfiltre et le filtre à carburant.
4. Démarrez le moteur et laissez-le tourner quelques minutes pour lui faire atteindre sa température de fonctionnement.
5. Arrêtez le moteur et sortez le bateau de l'eau.
6. Vidangez, nettoyez et protégez tous les composants du système d'eau brute.
7. Déposez le rotor de pompe à eau brute (si équipé). Conservez-le dans un endroit frais et sec. Indiquez que le rotor a été déposé.
8. Contrôlez le niveau de liquide de refroidissement. Faites l'appoint si nécessaire.
9. Vidangez l'eau et les impuretés dans le réservoir de carburant.
10. Remplissez complètement le réservoir de carburant.
11. Déposez le filtre à air. Bouchez l'admission d'air et les ouvertures avec des chiffons propres.

**12.** Nettoyez le moteur. Retouchez les zones endommagées avec de la peinture Nanni d'origine.

**⚠ ATTENTION**

Ne dirigez pas un jet d'eau haute pression vers les joints, tuyaux, rondelles, etc.

**13.** Nettoyez la coque, la cale, la transmission et l'hélice.

**14.** Contrôlez les câbles de commande. Utilisez de la graisse et antirouille pour les protéger.

**15.** Débrancher les câbles de batterie. Ajustez le niveau d'électrolyte si nécessaire. Chargez la batterie. Rangez la batterie dans un endroit sec.

**16.** Relâchez la tension des courroies.

**17.** Pulvérisez un produit hydrofuge sur le moteur.

**18.** Déposez l'hélice et contrôlez l'état de tous les composants du système de propulsion.

## Remise en marche du moteur

**1.** Nettoyez le moteur et contrôlez l'état général.

**2.** Changez l'huile du moteur et de la transmission.

**3.** Changez les filtres à huile.

**4.** Vidangez le liquide de refroidissement dans le système d'eau brute.

**5.** Contrôlez l'état du rotor. Remplacez-le si nécessaire. Installez le rotor dans la pompe.

**6.** Retirez les chiffons de l'admission d'air et de toutes les ouvertures. Installez le filtre à air.

**7.** Remettez tous les bouchons en place.

**8.** Contrôlez l'état des flexibles et des colliers.

**9.** Contrôlez le niveau et l'état du liquide de refroidissement. Faites l'appoint si nécessaire.

**10.** Connectez les batteries chargées.

**11.** Contrôlez les anodes.

**12.** Installez l'hélice.

**13.** Contrôlez le fonctionnement des câbles de commande.

**14.** Vérifiez les courroies. Ajustez la tension.

**15.** Purgez le circuit de carburant.

Une fois le bateau dans l'eau :

**16.** Ouvrez la vanne passe-coque et amorcez le circuit d'eau brute.

**17.** Démarrez le moteur. Vérifiez l'étanchéité et le bon fonctionnement.



Si le moteur ne fonctionne pas correctement, utilisez le tableau suivant pour identifier la cause. Si la cause du problème ne peut pas être trouvée, contactez un atelier agréé Nanni.

**REMARQUE:** Certains composants peuvent ne pas faire partie du moteur. Cette liste n'est pas exhaustive et est seulement une assistance en cas d'urgence. Les numéros renvoient aux causes possibles indiquées sur la page suivante.

	CAUSES PROBABLE
Le moteur ne démarre pas	1, 2, 3, 4, 5, 6, 7, 8, 9, 10, 11, 13
Le moteur démarre mais s'arrête soudainement	1, 2, 3, 4, 5
Le moteur est difficile à démarrer	1, 2, 3, 4, 5, 6, 8, 9
Le démarreur ne tourne pas ou tourne lentement	8, 9
Le démarreur tourne mais le moteur ne démarre pas	1, 2, 3, 4, 5, 6, 7
Le moteur n'atteint pas sa vitesse nominale à plein régime	2, 3, 4, 5, 6, 7, 12, 14, 15, 16, 17, 26, 28
Le moteur tourne irrégulièrement	1, 2, 3, 4, 5, 6, 7, 14, 15, 16, 17, 18, 19, 20, 24, 28
Le moteur vibre beaucoup	16, 27
Fumée d'échappement noire	4, 5, 14, 15, 16, 19, 20, 28
Fumée d'échappement blanche	4, 5, 23, 25
Consommation de carburant excessive	4, 7, 14, 15, 16, 19, 20, 22, 28
Le moteur surchauffe / température du liquide de refroidissement trop élevée	14, 15, 16, 18, 19, 20, 21, 22, 28
Le levier de commande est difficile à manipuler	12, 14, 15, 16, 17, 26
Pas de changement de sens de marche	9, 11, 12, 16, 17, 26
Le voyant défaut de charge s'allume	8, 9, 11, 18

\* Contactez un atelier agréé Nanni.

1. Manque de carburant
2. Air dans le circuit de carburant
3. Filtre à carburant encrassé ou bouché
4. Carburant non-conforme
5. Carburant contaminé ou trop vieux
6. Jeu aux soupapes incorrect \*
7. Faible compression \*
8. Batterie insuffisamment chargée / Batterie défectueuse
9. Câbles électriques défectueux / Connexions défectueuses
10. Démarreur ou interrupteur de démarrage défectueux \*
11. Fusible déclenché / interrupteur principal ouvert
12. Transmission endommagée \*
13. Le levier de commande pas en position neutre / Stop mécanique tiré
14. Bateau anormalement chargé
15. Coque, hélice et/ou transmission sales et/ou endommagées
16. Hélice incorrecte ou défectueuse \*
17. Mauvais fonctionnement du levier de commande et/ou des câbles de commande
18. Courroie endommagée ou détendue
19. Liquide de refroidissement incorrect, niveau de liquide trop bas, fuite de liquide de refroidissement
20. Le système de refroidissement ne fonctionne pas correctement \*
21. Le thermostat est défectueux \*
22. Vanne passe-coque et/ou filtre à eau brute bouché
23. L'huile de lubrification brûle, consommation d'huile excessive \*
24. Niveau d'huile moteur trop bas
25. Niveau d'huile moteur trop haut
26. Niveau d'huile de la transmission trop bas
27. Support moteur défectueux \*
28. Alimentation en air insuffisante \*



## 9

## SPÉCIFICATIONS

MODÈLE	N2.10	N2.14	N3.21
CARACTÉRISTIQUES DU MOTEUR			
Type	4 temps, Diesel		
Puissance maxi (kW-hp)*	7.36 - 10	10.3 - 14	15.4 - 21
Nombre de cylindres - Arrangement	2 en ligne	2 en ligne	3 en ligne
Cylindrée (cm <sup>3</sup> )	479	479	719
Alésage - Course (mm)	67 - 68		
Admission d'air	Naturel		
Taux de compression	23.5:1		
Régime moteur au ralenti - point neutre (tr/min)*	1050	1050	1050
Régime nominal moteur @ Puissance maxi (tr/min)*	3000	3600	3600
Régime maxi à pleins gaz (tr/min)*	3220	3820	3820
Régime de croisière recommandé (tr/min)	2400 ~ 2700	2880 ~ 3240	2880 ~ 3240
Poids sans transmission (kg)	78	83	97
Jeu des soupapes (moteur froid) - admission (mm)	0,145 ~ 0,185		
Jeu des soupapes (moteur froid) - échappement (mm)	0,145 ~ 0,185		
Sens de rotation, vue volant	Anti horaire		

MODÈLE	N2.10	N2.14	N3.21
<b>SYSTÈME ÉLECTRIQUE</b>			
Capacité recommandée batterie démarrage (Ah)	35 ~ 50		
Démarrateur (kW)	0.8		1.0
Alternateur standard (V-A)	12 - 40	12 - 70	12 - 70
<b>SYSTÈME D'INJECTION CARBURANT</b>			
Système d'injection	Indirecte (E-TVCS)		
Calage de l'injection avant PMH (°)	21		
Pression d'injection (bar)	137.3		
Consommation spécifique de carburant (g/kWh) à pleins gaz	265	285	285
Type de carburant	EN 590 / ASTM D975 No.2-D Ne jamais utiliser de carburant ayant un taux de soufre supérieur à 1 %		
<b>SYSTÈME DE LUBRIFICATION</b>			
Qualité de l'huile	API CF mini		
Viscosité (climat tempéré)	SAE 15W40		
Capacité huile moteur - moteur à plat avec filtre (litres)	2.1	2.1	3.3
Pression minimum au régime nominal (bar)	3.5	3.5	3.5
<b>SYSTÈME DE REFROIDISSEMENT</b>			
Capacité liquide de refroidissement - moteur à plat (litres)	2.7	2.7	4
Débit de pompe liquide de refroidissement @ régime nominal (l/min)	23	28.8	35.5
Débit de pompe à eau brute @ régime nominal (l/min)	15	18	18









**NANNI INDUSTRIES SAS**

11, Avenue Mariotte-Zone Industrielle

33260 La Teste France

Tel: + 33 (0)5 56 22 30 60

Fax: +33 (0)5 56 22 30 79

Email: [contact@nannidiesel.com](mailto:contact@nannidiesel.com)

**[www.nannidiesel.com](http://www.nannidiesel.com)**

P/N 970316080  
082013.IndA

# Nanni-Schiffsmotor

## Betriebsanleitung

Motoren

**N2.10**

**N2.14**

**N3.21**



## **English**

You can download a copy of this manual in English on [nannidiesel.com](http://nannidiesel.com).

## **Français**

Vous pouvez télécharger ce manuel en Français sur notre site Web à l'adresse [www.nannidiesel.com](http://www.nannidiesel.com).

## **Italiano**

Scarica una copia del manuale in lingua Italiano sul [nannidiesel.com](http://nannidiesel.com).

## **Deutsch**

Eine Kopie dieses Handbuchs auf Deutsch finden Sie jederzeit auf [nannidiesel.com](http://nannidiesel.com).

# 1

# INHALTSVERZEICHNIS

<b>Vorwort</b> .....	<b>1</b>	<b>Wartung</b> .....	<b>32</b>
Über dieses Handbuch .....	2	Wartungsplan .....	33
<b>Sicherheit</b> .....	<b>3</b>	Allgemeine Inspektion.....	35
Notfallausrüstung .....	3	Kraftstoffanlage .....	37
Warnzeichen und Signalwörter.....	3	Schmieranlage .....	41
Sicherheitszeichen .....	4	Kühlsystem .....	43
Sicherheitsmaßnahmen.....	5	Seewassersystem.....	47
<b>Übersicht</b> .....	<b>9</b>	Elektrische Anlage .....	51
Über den Motor .....	9	Batterie .....	52
Garantie .....	13	Korrosionsschutz .....	54
Propellerauswahl .....	13	Einwintern .....	57
Verhalten des Boots.....	14	<b>Fehlersuche</b> .....	<b>59</b>
Hauptbestandteile des Motors ...	15	<b>Technische Daten</b> .....	<b>61</b>
<b>Instrumententafel</b> .....	<b>19</b>		
Standardtafel.....	19		
Instrumente .....	20		
<b>Motorbetrieb</b> .....	<b>25</b>		
Vor dem Motorstart .....	25		
Motor starten .....	26		
Bei laufendem Motor.....	28		
Motor stoppen .....	30		

Wir bedanken uns an dieser Stelle für Ihren Kauf und das unserem Hause entgegengebrachte Vertrauen.

Für die Wartung und Instandhaltung Ihres Produkts steht Ihnen ab sofort ein Nanni-Vertragshändler zur Verfügung. Auf unserer Website finden Sie unser Händlerverzeichnis:

***[www.nannidiesel.com](http://www.nannidiesel.com)***

Nanni-Motoren sind das Ergebnis langjähriger Erfahrung in der Entwicklung von Schiffsmotoren und Boots-ausrüstung für den Einsatz auf hoher See. Ihr Motor ist ein aus besten Werkstoffen in zuverlässigen Verfahren gebautes Präzisionsaggregat.

Bevor Sie den Motor in Betrieb nehmen, überzeugen Sie sich bitte anhand des Typenschildes am Motor davon, dass sich das vorliegende Handbuch auf Ihr Motormodell bezieht. Im Zweifelsfall wenden Sie sich bitte an den Nanni-Vertragshändler.

Der richtige Einbau des Motors in Ihr Boot ist maßgeblich für die sichere Schiffsführung und den Schutz der Umwelt. Der Einbau soll darum von einer autorisierten Nanni-Werkstatt nach Einbauvorschrift vorgenommen werden.

# Über dieses Handbuch

Die vorliegende Betriebsanleitung enthält wichtige Informationen, Tipps, Ratschläge und Warnhinweise. Wir bitten Sie, sich mit dem Inhalt ausführlich auseinanderzusetzen, bevor Sie den Motor in Gebrauch nehmen.

Zu Ihrer eigenen Sicherheit und zugunsten eines langen Motorlebens beachten Sie die Anleitungen und Warnhinweise in diesem Handbuch und in allen mit dem Boot gegebenen Unterlagen gewissenhaft. Sie dienen dazu, Schäden am Motor, an anderen Sachen und Unfälle zu verhüten, bei denen Sie oder andere Personen zu Schaden kommen können.

Beachten Sie, dass dieses Handbuch grundsätzlich mit dem Boot geführt werden soll. Auf diese Art ist es dem jeweiligen Bootsführer zur Hand, wenn Sie das Boot zum Beispiel verleihen oder verkaufen. Diese Symbole dienen Ihnen in diesem Dokument zur Orientierung:

→ Zeigt an, dass der Text auf der nächsten Seite fortgesetzt wird.

■ Bezeichnet das Ende eines Abschnitts.

# Inhalt und Fortschreibungen

Allen Informationen und Angaben in diesem Handbuch sind die zum Zeitpunkt der Veröffentlichung verfügbaren technischen Daten zugrunde gelegt. Diesbezügliche Änderungen, Aktualisierungen und Nachträge behalten wir uns vor.

Die enthaltenen Abbildungen dienen der allgemeinen Veranschaulichung und können im Einzelnen von den tatsächlichen Gegebenheiten des Motors abweichen. Nicht alle Abschnitte dieses Handbuchs beziehen sich auf jeden Motor. Im gegebenen Fall wird im Text auf das zugehörige Motormodell hingewiesen.

Für den Fall, dass bestimmte Details in dieser Betriebsanleitung nicht gezeigt oder behandelt sind, oder wenn Sie Fragen zur Bedienung haben, steht Ihnen der Nanni-Vertragshändler jederzeit zur Verfügung. Wenden Sie sich gern auch in Fragen der richtigen Pflege und Instandhaltung an den Händler.





Dieses Kapitel betrifft Ihre Sicherheit – bitte aufmerksam lesen. Die meisten Unfälle gehen darauf zurück, dass grundlegende Sicherheitsregeln außer Acht gelassen werden. Vergegenwärtigen Sie sich die im Umgang mit dem Motor möglichen Risiken und Gefahren, und treffen Sie die notwendigen Vorkehrungen zu Ihrem Schutz, zum Schutz anderer und zum Schutz der Ausrüstung. Wichtig ist ebenso die Lektüre aller mit dem Boot gelieferten Unterlagen und Information, bevor Sie den Motor in Betrieb setzen.

Aus Sicherheitsgründen sollten Sie streng darauf achten, dass das Boot und die gesamte Ausrüstung jederzeit in einem laut dem zugehörigen Handbuch vorschriftsmäßigen Wartungszustand sind. Sämtliche vorgeschriebene und erforderliche Sicherheitsausrüstung muss griffbereit an Bord und einsatztauglich sein.

## Notfallausrüstung

Eine Notfallausrüstung ist von jedem Nanni-Vertragshändler beziehbar. Der Inhalt der Notfallausrüstung für den Motor ermöglicht die Durchführung einfacher Reparaturen im Pannenfall. Es sollen immer eine vollständige Notfallausrüstung und die für Reparaturen benötigten Werkzeuge an Bord sein.

## Warnzeichen und Signalwörter

Das Handbuch nennt allgemeine zu beachtende Sicherheitsmaßnahmen. Die zugehörigen Gefahren sind wie folgt gekennzeichnet:

### **GEFAHR**

Bezeichnet eine Gefährdungssituation, die tödliche oder schwere Verletzungen nach sich zieht, wenn sie nicht gemieden wird.

### **WARNUNG**

Bezeichnet eine Gefährdungssituation, die tödliche oder schwere Verletzungen nach sich ziehen kann, wenn sie nicht gemieden wird.

### **VORSICHT**

Bezeichnet eine Gefährdungssituation, die leichte oder mittelschwere Verletzungen oder Sachschäden nach sich ziehen kann, wenn sie nicht gemieden wird.

**HINWEIS:** Weist auf hilfreiche Informationen für die Praxis oder auf wichtige Informationen zum Schutz von Sachen hin.



# Sicherheitszeichen

Direkt am Motor sind verschiedene Schilder angebracht, die Sie bei Arbeiten am Motor auf den Einbauort bestimmter Bauteile und hiervon ausgehende mögliche Gefährdungen aufmerksam machen.

Diese Schilder müssen immer sichtbar und lesbar gehalten werden und sind bei Bedarf zu ersetzen.



Bei der Arbeit am oder im Umgang mit dem Motor sind wichtige Informationen und Anleitungen zu beachten.



Warnung vor gefährlicher elektrischer Spannung.



Warnung vor feuergefährlichen Stoffen.



Warnung vor heißen Oberflächen und Verbrennungsgefahr.



Warnung vor Überdruck (unter Druck stehenden Flüssigkeiten).



Feuer, offenes Licht und Rauchen verboten, Funkenbildung vermeiden.



Warnung vor drehenden Teilen (Einzugsgefahr).



Kennzeichnung von Entlüftungsöffnung.



Kennzeichnung der Stelle zur Kühlmittelkontrolle.



Kennzeichnung der Stelle zur Motorölstandkontrolle.



Kennzeichnung der Kühlmittelablauföffnung.



Kennzeichnung der Ölablauföffnung



# Sicherheitsmaßnahmen

## Abgas

Die Abgase enthalten Kohlenmonoxid. Kohlenmonoxid ist ein farb- und geruchloses, extrem gefährliches Gas, das zu Bewusstlosigkeit und zum Tod durch Vergiftung führen kann. Erste Anzeichen einer Kohlenmonoxidvergiftung sind:

- Schwindelgefühl
- Übelkeit
- Kopfschmerz
- Schläfenpochen
- Erbrechen
- Müdigkeit und Einschlafen
- Muskelverspannungen

Wenn Sie oder andere Personen eines dieser Symptome in der Nähe des Motors verspüren, verlassen Sie den Arbeitsbereich des Motors, und atmen Sie frische Luft. Wenn die Symptome anhalten, holen Sie ärztlichen Rat ein und lassen den Motor überprüfen.

Achten Sie darauf, dass das vom Motor produzierte Abgas normal ausgestoßen wird. Kontrollieren Sie regelmäßig, dass der Abgastrakt dicht und der Abgaskrümmen in einwandfreiem Zustand ist.

## Verbrennungen und Verbrühungen

Halten Sie sich von heißen Teilen des Motors fern! Der Motor wird im Betrieb sehr heiß: Abgasanlage, Turboverdichter (wenn vorhanden), Anlasser, Ölwanne und das Öl und Kühlmittel in den Schläuchen und Leitungen sind heiß genug, dass Sie sich Verbrennungen zuziehen können.

Auch unter Druck austretende Flüssigkeiten können schwere Verletzungen herbeiführen. Machen Sie einen Kreislauf immer vollkommen drucklos, bevor Sie die Verschlusskappe ausbauen. Öffnen Sie den Öl- oder Kühlmittelkreislauf (die Verschlusskappen) nie bei laufendem oder heißem Motor. Starten oder betreiben Sie den Motor auch nie ohne Öleinfüll- und Kühlmittelverschluss. Es besteht Gefahr, dass heißes Öl oder Kühlmittel ausspritzt.

Nach dem Kontakt mit solchen Flüssigkeiten ziehen Sie bitte sofort einen Arzt hinzu. Wenn der Motor überhitzt, stellen Sie den Motor ab, trennen den Motor und lassen den Motor abkühlen, bevor Sie der Ursache nachgehen.

## Feuer

Rauchen Sie nicht in der Nähe des Motors, und halten Sie den Motor von Zündquellen (offenen Flammen und Funken) und sämtlichen brennbaren Dämpfen und Flüssigkeiten fern. Lassen Sie den Motor nicht ohne Luftfilter laufen.

Betreiben Sie den Motor nicht in einem Bereich, in dem brennbare oder explosionsfähige Stoffe gelagert oder Gase vorhanden sind. Achten Sie darauf, dass der Motorraum keine brennbaren Flüssigkeiten enthält.

Nehmen Sie danebengegangene Flüssigkeiten, auch Tropfmengen, sofort auf, da sie den Ausbruch eines Feuers begünstigen können. Der Motorraum soll stets sauber und zugänglich sein. Kraftstoff ist brennbar. Schadhafte Leitungen bedeuten Brandgefahr.

## **Explosion**

Durch Kraftstoffdämpfe herbeigeführte Explosionen bedeuten schwere Verletzungsgefahr! Beachten Sie beim Betanken die Sicherheitsvorschriften.

Öffnen und lüften Sie nach dem Betanken den Einbauraum des Motors. Bevor Sie den eventuell vorhandenen Lüfter einschalten, gehen Sie sicher, dass keine Kraftstoffdämpfe vorhanden sind und kein Kraftstoff leckt. Lassen Sie den Lüfter vor dem Motorstart 5 Minuten laufen.

Kraftstoffdämpfe sind brennbar und explosionsfähig. Im Umgang mit Kraftstoff und bei der Lagerung von Kraftstoff ist Vorsicht geboten. Lagern Sie Kraftstoff an einem gut belüfteten Ort fern von Zündquellen (Funken und offenen Flammen) und für Kinder unzugänglich.

Stellen Sie zum Befüllen mit Kraftstoff oder Schmierstoff den Motor

ab. Rauchen Sie nicht in der Nähe des Motors, und halten Sie beim Befüllen mit Kraftstoff oder Schmierstoff Zündquellen (offene Flammen) fern. Schützen Sie Ihre Hände bei der Lecksuche mit Handschuhen.

Modifizieren und manipulieren Sie die Kraftstoffanlage nicht. Bevor Sie an Teilen der Anlage arbeiten, sperren Sie die Kraftstoffversorgung ab. Ein funktionstüchtiger Feuerlöscher muss außerdem immer zur Hand sein.

## **Gefährliche Spannung / Stromschlag**

Die Gefahr eines tödlichen Stromschlags besteht grundsätzlich immer, sobald Strom fließt. Gefährliche Spannungen können schwere Verletzungen verursachen und tödlich sein. Betreiben Sie den Motor nur mit den vorgesehenen Schutzvorrichtungen und Schutzgehäusen.

Trennen Sie vor Arbeiten an der Ausrüstung alle Spannungsquellen an den zugehörigen Hauptschaltern. Die Installation muss die Erdung von Motor, Transferschalter und zugehörigen Einrichtungen und die normgerechte und vorschriftsmäßige Ausführung der elektrischen Schaltkreise vorsehen.

Berühren Sie nie elektrische Kabel oder Einrichtungen, wenn Sie im Wasser oder auf nassem Boden stehen. Hier ist die Stromschlaggefahr erhöht. Die geführte Spannung kann tödlich sein. Durch Kurzschlüsse können Personen und Sachen zu Schaden kommen. Legen Sie vor

Arbeiten an der Ausrüstung sämtlichen Schmuck ab.

Gefährliche Rück- und Fremdspannungen können schwere Verletzungen verursachen und tödlich sein. Der Anschluss zwischen Motor und Bordnetz darf nur über zugelassene Betriebsmittel hergestellt werden. Überlassen Sie Arbeiten an der Elektrik grundsätzlich einem ausgebildeten Elektriker.

Auch Arbeiten an andstromversorgungseinrichtungen dürfen nur von Elektrikern mit Arbeitsbefugnis für Hochspannungsanlagen durchgeführt werden.

Bei Booten mit Metallrumpf kommen insbesondere dem Schutz vor Stromschlag und dem Schutz vor galvanischer und elektrolytischer Korrosion besondere Aufmerksamkeit zu.

## **Batteriesäure**

Die Säure in Batterien kann schwere und tödliche Verletzungen verursachen!

Schützen Sie sich bei der Arbeit an den Batterien mit Arbeitshandschuhen und Schutzbrille. Die Schwefelsäure der Batterien ist hochkorrosiv.

Bei der Handhabung von Batterien kann Säure austreten. Wenn Säure auf die Haut gelangt, spülen Sie die betroffene Stelle gründlich mit sauberem Wasser und ziehen einen Arzt hinzu.

## **Batterieexplosion**

Eine explodierende Batterie kann schwere und tödliche Verletzungen verursachen! Sorgen Sie dafür, dass der Batterieraum gut belüftet ist.

Rauchen Sie nicht in der Nähe der Batterien, und halten Sie Batterien fern von Zündquellen (offenen Flammen oder Funken). Die Batterien erzeugen Wasserstoff, der von einem elektrischen Bogen oder einer Flamme gezündet und zur Explosion gebracht werden kann.

Schalten Sie zur Arbeit an den Batterien alle elektrischen Geräte in der Umgebung aus.

Sorgen Sie für die gute Belüftung des Batterieraums. Achten Sie darauf, dass Sie nicht mit Metallwerkzeugen mit den Batteriepolen in Berührung kommen. Dabei können Funken gebildet werden, und es besteht wiederum Explosionsgefahr. Legen Sie zur Arbeit an den Batterien Ringe, Armbänder, Halsketten usw. ab.

## **Drehende Teile**

Drehende Teile können außerordentlich gefährlich werden und schwere und tödliche Verletzungen verursachen! Arbeiten Sie nie am laufenden Motor. Wenn der Motor zur Durchführung der Arbeit zwangsläufig arbeiten muss, bleiben Sie von heißen und rotierenden Teilen fern.

Es besteht Gefahr, dass weite Kleidung, langes Haar oder anderes erfasst und eingezogen wird. Die

möglichen Folgen sind schwere Verletzungen und erhebliche Sachschäden.

Legen Sie zur Durchführung von Arbeiten am Motor sämtlichen Schmuck, also Armbänder, Halsketten, Ringe und dergleichen, ab. Kontrollieren Sie, dass die Schrauben und Muttern richtig angezogen und die Schutzvorrichtungen an Ort und Stelle sind. Prüfen Sie beispielsweise die Lichtmaschinenriemenspannung nicht bei laufendem Motor.

## **Unkontrollierter Motorstart**

Wenn der Motor unkontrolliert gestartet wird, sind schwere und tödliche Verletzungen die möglichen Folgen!

Trennen Sie vor Arbeiten am Motor die Batterie. Gehen Sie, bevor Sie den Motor starten, sicher, dass niemand am Motor zugange ist. Ein drehender Propeller kann schwere und tödliche Verletzungen herbeiführen. Kontrollieren Sie vor dem Motorstart, dass alle Schutzvorrichtungen vorhanden sind.

## **Chemikalien**

Die Betriebsstoffe des Motors sind gesundheitsgefährlich. Lesen Sie die Gebrauchshinweise auf der Verpackung dieser Produkte gründlich, und achten Sie grundsätzlich auf gute Belüftung.

Entsorgen Sie Öl, Kraftstoff, Kühlmittel, Filter und Batterien bitte umweltgerecht und vorschriftsmäßig.

Fassen Sie Leitungen zum Aufspüren eventueller Lecks nicht mit bloßen Händen an.

## **Wassereintritt**

Das Eindringen von Wasser in den Motor muss unter allen Umständen verhindert werden. Wasser im Motor führt zu einem Motortotalschaden, der nicht unter die Garantie fällt.

Der Wassereintritt in den Motor ist theoretisch über den Abgastrakt möglich.

Der richtige Einbau des Motors in Ihr Boot ist maßgeblich für die sichere Schiffsführung und den Schutz der Umwelt. Er ist auch der erste und beste Schutz vor einem Wasserschaden am Motor.

Ein weiterer wesentlicher Faktor ist der sachgerechte Einsatz und Betrieb des Motors. Dieser und alle notwendigen Maßnahmen, das Motorinnere vor Wassereintritt zu schützen, ist Sache des Bedieners bzw. Eigentümers.

Nach einer Kenterung oder wenn der Motor auf andere Art mit Wasser vollgelaufen ist, starten Sie – außer im äußersten Notfall – den Motor nicht, sondern rufen bitte einen Nanni-Vertragshändler.



## Über den Motor

### Motorkennzeichnung

Sowohl Motor als auch Getriebe tragen ein Typenschild mit mehreren Kennungen.

Diese Schilder sollen zugänglich und in gutem Zustand gehalten werden. Notieren Sie sich die Seriennummern und Bezeichnungen von Motor und Getriebe, und verwahren Sie diese gut. Die Angaben werden immer bei der Bestellung von Wartungs- und Ersatzteilen benötigt.

Das Motortypenschild:



- **TYP** gibt die Handelsbezeichnung des Motors an.
- **NR** gibt die Motorseriennummer an.
- **CODE** nennt technische Daten des Motors.

## Einfahren

Den Motor während der ersten 50 Betriebsstunden zurückhalten.

Den kalten Motor nicht hochdrehen. Den Motor höchstens kurzzeitig voll belasten. Auch über längere Zeiten konstante Motordrehzahlen sollten während der Einfahrzeit vermieden werden.

Während der Einfahrzeit den Öl- und Kühlmittelstand eng beobachten. Der Ölverbrauch kann während der Einfahrzeit erhöht sein.

## Motoreinbau

Der Einbau soll von einer autorisierten Nanni-Werkstatt nach Einbauvorschrift vorgenommen werden. Der richtige Einbau des Motors ist maßgeblich für die sichere Schiffsführung und den Schutz der Umwelt.

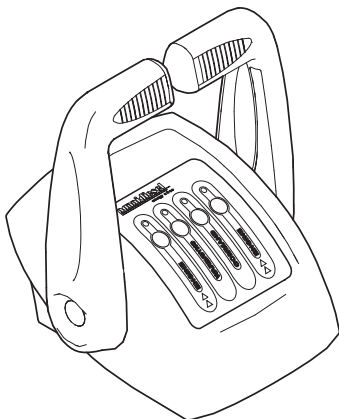
Er gewährleistet gleichsam die lange Nutzungsdauer des Motors unter normalen Einsatzbedingungen.

Motorschäden, die auf den nicht fachgerechten Einbau zurückgehen, sind von der Garantie ausgeschlossen.



## Fernbedienung

Die Fernbedienung ist eine nicht im Standardumfang des Motors enthaltene Sonderausrüstung. Die am Boot montierte Fernbedienung kann anders als hier gezeigt ausgeführt sein.



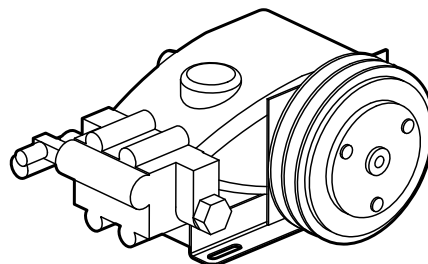
Bei den meisten Booten ist der Steuerhebel ein Einhandhebel, mit dem Gas (Motordrehzahl) und Schaltung (Voraus-/Rückwärtsfahrt) gleichzeitig bedient werden. Es gibt aber auch Boote, bei denen die Getriebschaltung separat ausgeführt ist.

Möglich ist auch ein Neutralsicherheitsschalter, der den Motorstart nur zulässt, wenn der Hebel in Neutral steht.

Wenden Sie sich mit Fragen zur Fernbedienung an den Bootsbauer oder Ihren Nanni-Händler.

## Nebenabtrieb

Einige Motoren können mit einem Nebenabtrieb ausgestattet werden. Ein solches System ermöglicht die Kraftabnahme für Nebenaggregate wie Bilgepumpe, Wasseraufbereiter usw.



**HINWEIS:** Mittels Nebenabtrieb vom Motor abgezweigte Antriebskraft steht entsprechend nicht für den Propellerantrieb zur Verfügung. Der Einsatz eines Nebenabtriebs sollte daher generell mit der Entwicklungsabteilung der Nanni Industries S.A.S France abgeklärt werden. Ihr Nanni-Händler informiert Sie gern.

## Schleppventil

Ein Schleppventil oder Trollingventil reduziert die Drehgeschwindigkeit des Propellers bei Motorleerlaufdrehzahl unter die normale Propellerdrehzahl. Die Bootsgeschwindigkeit kann dadurch um 30 % bis 70 % herabgesetzt werden.

### **⚠ VORSICHT**

Die Schleppeinrichtung darf nie zum Manövrieren eingesetzt werden. Ebenso nicht bei Motordrehzahlen über 1 200 min<sup>-1</sup>.

## Tiefe Temperaturen

Nanni-Motoren arbeiten auch bei Kälte sehr zuverlässig.

Es sind allerdings bestimmte Punkte zu beachten, damit der Motor auch unter diesen Bedingungen gutes Startverhalten und Betriebsverhalten zeigt. Wenden Sie sich zur Beratung über empfohlene Maßnahmen und Kaltstarthilfen an den Nanni-Händler.

Winterkraftstoffe dienen bei Temperaturen unter 5 °C dem Schutz der Einspritzanlage. Sie eignen sich wegen ihres niedrigeren Trübungs- und Fließpunkts bestens für den Einsatz bei kalter Witterung.

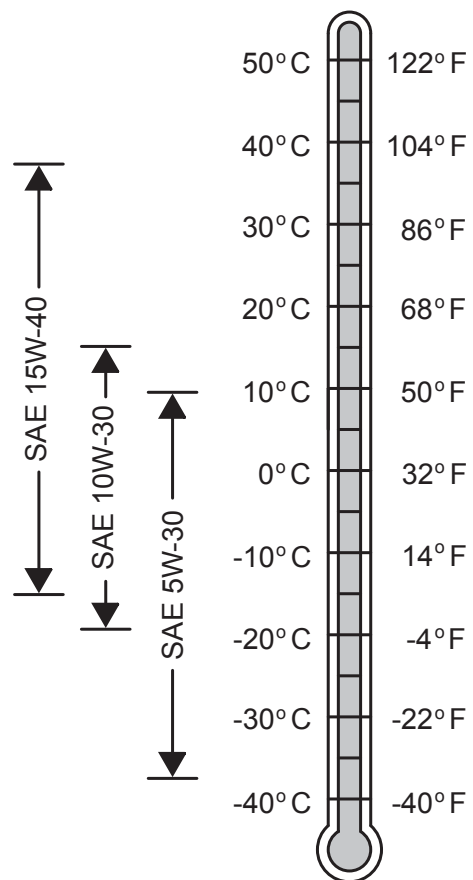
Zu beachten ist allerdings, dass Winterkraftstoff aufgrund des geringeren Energieinhalts (Brennwerts) zu einer gewissen Leistungsreduzierung und zu höherem Kraftstoffverbrauch führen kann. Wenn der Motor also bei Kälte weniger Leistung entwickelt, sollte zuerst die Kraftstoffqualität überprüft werden.

Im Übrigen müssen Zusammensetzung und Schwefelgehalt des Kraftstoffs in jedem Fall alle am Einsatzort des Motors geltenden Emissionsvorschriften erfüllen.

## Ölviskosität

Die Viskosität des Motoröls soll der Jahreszeit, d. h. den zwischen zwei Ölwechseln zu erwartenden Temperaturen, angemessen gewählt werden.

Das Diagramm liefert Ihnen Anhaltspunkte für die richtige Ölviskosität:



Einige Motoren werden mit einer wahlweisen Ansaugluftvorwärmung angeboten, die den Motorstart bei kalten Temperaturen unterstützt. Ihr Nanni-Händler informiert Sie gern.

## Motorbauartzulassung

Die Motorbauart kann emissions-zertifiziert sein. Das bedeutet, dass Nanni garantiert, dass alle nach demselben Typ gebauten Motoren von den zuständigen Stellen gemäß den einschlägigen Abgasnormen geprüft und zugelassen sind. Dass der Motor allerdings diese Normen dauerhaft erfüllt, ist mit bestimmten Auflagen bezüglich der Wartung und Instandhaltung verbunden:

- Es dürfen nur Nanni-Ersatzteile verwendet werden.
- Die Wartungsintervalle müssen eingehalten werden.
- Die Motor darf außer mit von der Nanni Industries S.A.S. France genehmigten Zubehör- und Zusatzeinrichtungen nicht verändert werden.
- Die Wartung der Kraftstoffanlage muss grundsätzlich von einer Nanni-Vertragswerkstatt vorgenommen werden.
- Es dürfen keine Veränderungen am Lufteinlasstrakt und der Abgasanlage vorgenommen werden.
- Siegel und Plomben dürfen nur von Befugten gebrochen werden.
- Die Betriebsanleitungen in den zugehörigen Handbüchern müssen vom Anwender beachtet werden.

Bei Nichteinhaltung einer oder mehrerer dieser Bedingungen steht es nicht mehr in der Verantwortung von Nanni, dass die Motordaten mit der Zulassung übereinstimmen.

## Umweltverantwortung

Nanni entwickelt Motoren unter dem Aspekt der größtmöglichen Umweltverträglichkeit. Dieses Ziel ist jedoch nur mit Ihrer vollen Unterstützung erreichbar.

Unsere Betriebs- und Wartungsanleitungen sind so gehalten, dass sie dem Schutz des Motors dienen und zu umweltbewusstem Handeln anregen.

Zum Beispiel durch den Einsatz der empfohlenen Kraftstoffe und Öle. Andere Kraftstoffe und Öle können sich gravierend zuungunsten des Motorverhaltens, des Kraftstoffverbrauchs, der Nutzungsdauer des Motors und der Abgaswerte auswirken.

Geben Sie Altöl und gebrauchte Öl- und Kraftstofffilter bitte an den entsprechenden Sammelstellen zur fachgerechten Entsorgung ab.

Diese Stoffe schaden Flora und Fauna, wenn sie unkontrolliert freigesetzt werden. Es sind spezielle Notfallsets erhältlich, mit denen versehentlich ins Wasser freigesetzte Öl- und Kraftstoffmengen aufgenommen werden können.



## Garantie

Dieses Handbuch wird ergänzt durch ein Garantieinformationsheft. Bitte lesen Sie diese Informationen aufmerksam.

Wir weisen besonders auch auf die Pflichten des Anwenders und die Beschränkungen hin. Die Einhaltung der Garantiebedingungen ist Voraussetzung für die Garantie.

Die Gültigkeit der Garantie ist außerdem an den vorschriftsmäßigen Einbau und die reguläre Wartung des Motors durch eine Nanni-Vertragsvertretung gebunden.

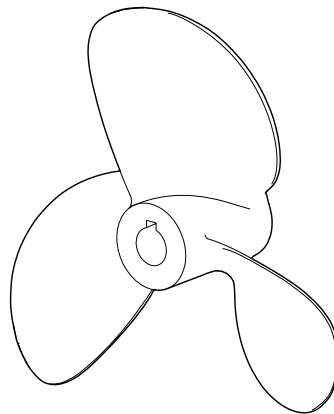
**HINWEIS:** Zu späte oder falsche Wartung sowie der Einsatz anderer als original Nanni-Ersatzteile haben zur Folge, dass Nanni nicht mehr für die Übereinstimmung des Motors mit der Bauartzulassung eintritt, und setzt außerdem die Garantie außer Kraft.

Änderungen an den Motoreinstellungen sowie andere technische Änderungen (Zubehör, Ersatzteile, Zusatzausrüstung usw.) OHNE DAS SCHRIFTLICHE EINVERSTÄNDNIS DER NANNI INDUSTRIES S.A.S SIND UNTERSAGT.

Jede Veränderung führt zum Ausschluss der Garantie. Auch sind Schäden, die auf die Nichtbeachtung der Betriebsanleitung oder unsachgemäßen Einsatz des Motors zurückgehen, von der Garantie ausgeschlossen. ■

## Propellerauswahl

Der Propeller ist eine kritische Komponente des Antriebs. Er setzt die Motorkraft in Schub um. Damit der Wirkungsgrad möglichst hoch ist, muss der Propeller perfekt auf das Boot und dessen Einsatzzweck abgestimmt sein.



Die Auswahl des richtigen – oder falschen – Propellers wirkt sich wesentlich auf das Leistungsverhalten des Motors aus. Der falsche Propeller kann sogar einen Motorschaden verursachen. Die Motordrehzahl ist von der Propellergröße und der Bootsbeladung abhängig. Wenn der Motor bezogen auf die idealen Motorzustände unter zu hohen oder zu niedrigen Drehzahlen arbeitet, schadet das dem Motor.

Der Propeller sollte immer so bemessen sein, dass der Motor bei maximaler Bootsbeladung seine Nenn Drehzahl erreicht. Eine unbefriedigende Leistungsausbeute des Motors ist häufig auf einen falsch ausgelegten oder beschädigten Propeller zurückzuführen. ■

# Verhalten des Boots

Wenn dies Ihr erstes Boot ist oder Sie mit dem Boot noch nicht vertraut sind, üben Sie als Erstes unbedingt mit langsamer Geschwindigkeit Manöver, bis Sie wissen, wie sich das Boot verhält und auf das Steuer reagiert.

Vermeiden Sie abrupte Manöver und plötzliche Geschwindigkeitsänderungen. Es besteht Gefahr, dass Personen stürzen oder über Bord gehen.

Die Gewichtsverteilung im Boot (Passagiere, mitgeführte Ausrüstung usw.) spielt ebenso eine Rolle für das Verhalten des Boots im Wasser. Bei einer Lastverschiebung kann sich also das Verhalten des Boots, gerade bei gleitenden Rumpfformen, schnell ändern.

Auch der Zustand von Rumpf und Propeller zählt erheblich. Ein verschmutzter oder beschädigter Rumpf wird das Verhalten des Boots und damit auch des Motors beeinflussen. Hierdurch entstehende Kavitation kann zur starken Erosion der Oberflächen von Propeller, Antrieb usw. führen.



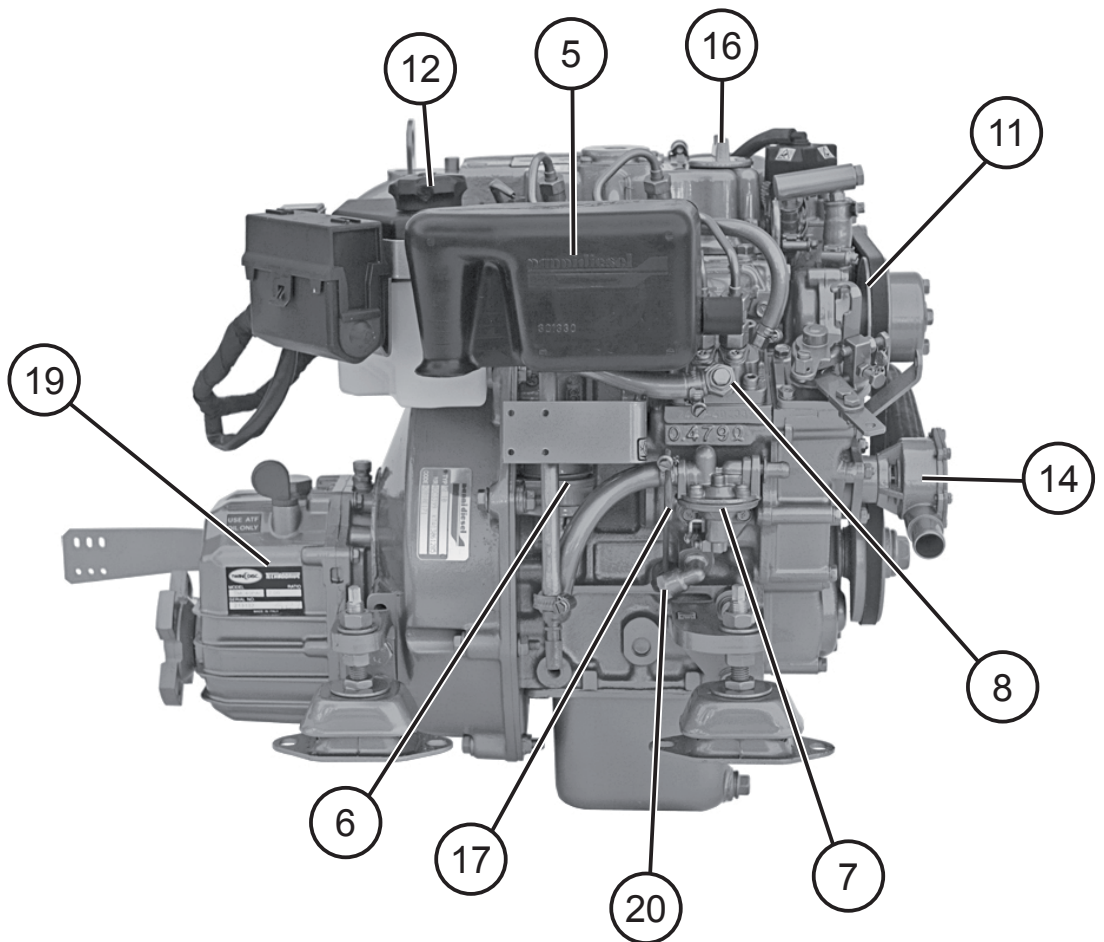
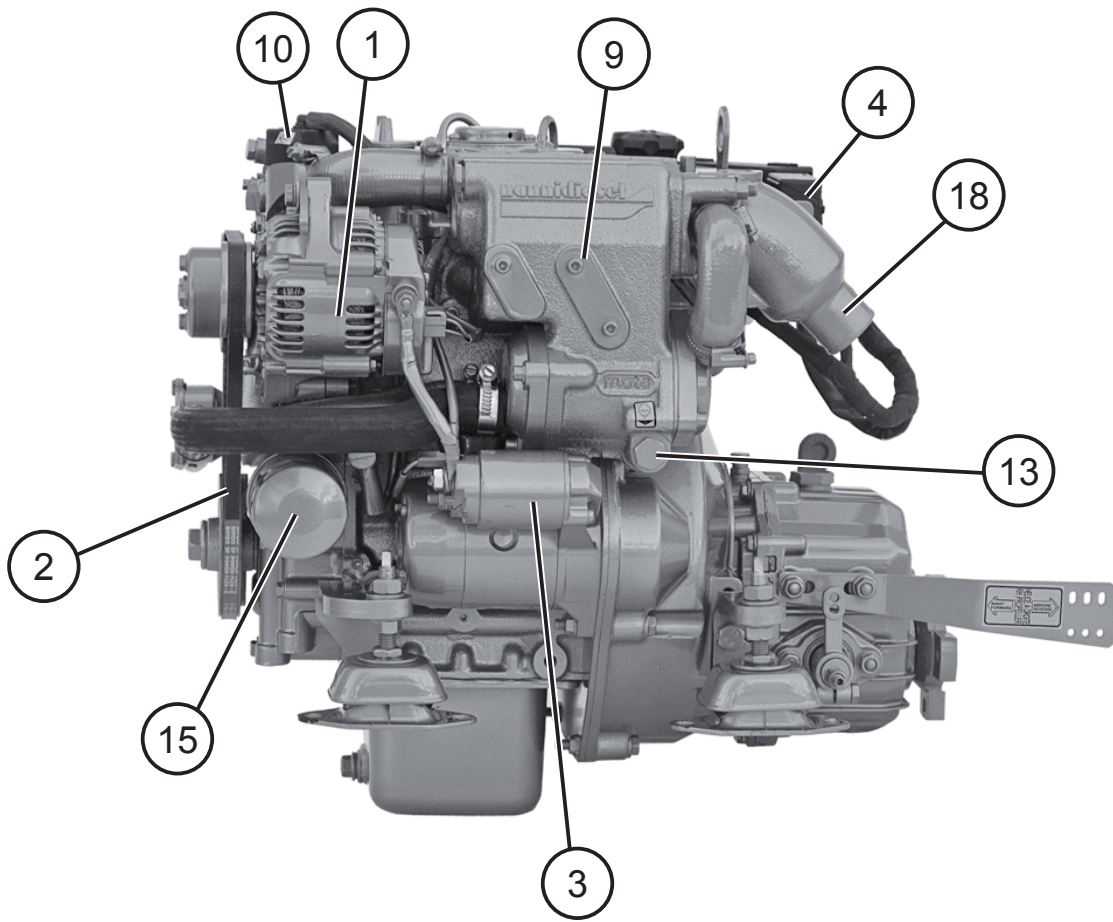
# Hauptbestandteile des Motors

**HINWEIS:** Der tatsächliche Motor kann von der Beschreibung abweichen. Bestimmte Bauteile sind am bestellten Motor eventuell nicht vorhanden.

<b>NUMMER</b>	<b>BAUTEILE</b>
<b>1</b>	Lichtmaschine
<b>2</b>	Lichtmaschinenriemen
<b>3</b>	Anlasser
<b>4</b>	Sicherungskasten
<b>5</b>	Luftfilter
<b>6</b>	Kraftstofffilter
<b>7</b>	Kraftstoffförderpumpe
<b>8</b>	Kraftstoffeinspritzpumpe
<b>9</b>	Wärmetauscher
<b>10</b>	Kühlmitteleinfüllstopfen
<b>11</b>	Kühlmittelpumpe
<b>12</b>	Ausgleichsbehälter
<b>13</b>	Wärmetauscher-Ablassschraube
<b>14</b>	Seewasserpumpe
<b>15</b>	Ölfilter
<b>16</b>	Öleinfüllöffnung
<b>17</b>	Ölmessstab
<b>18</b>	Wassergekühlter Abgaskrümmmer
<b>19</b>	Getriebe
<b>20</b>	Kühlmittelablaufstopfen

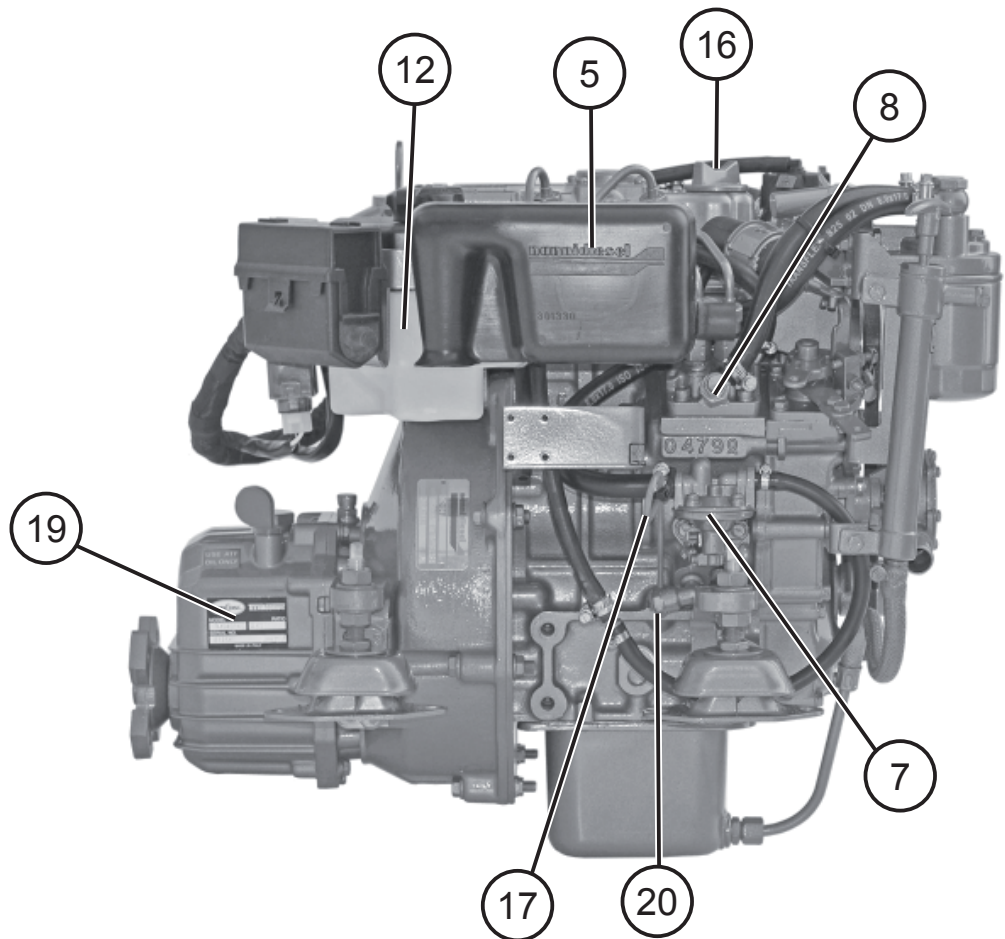
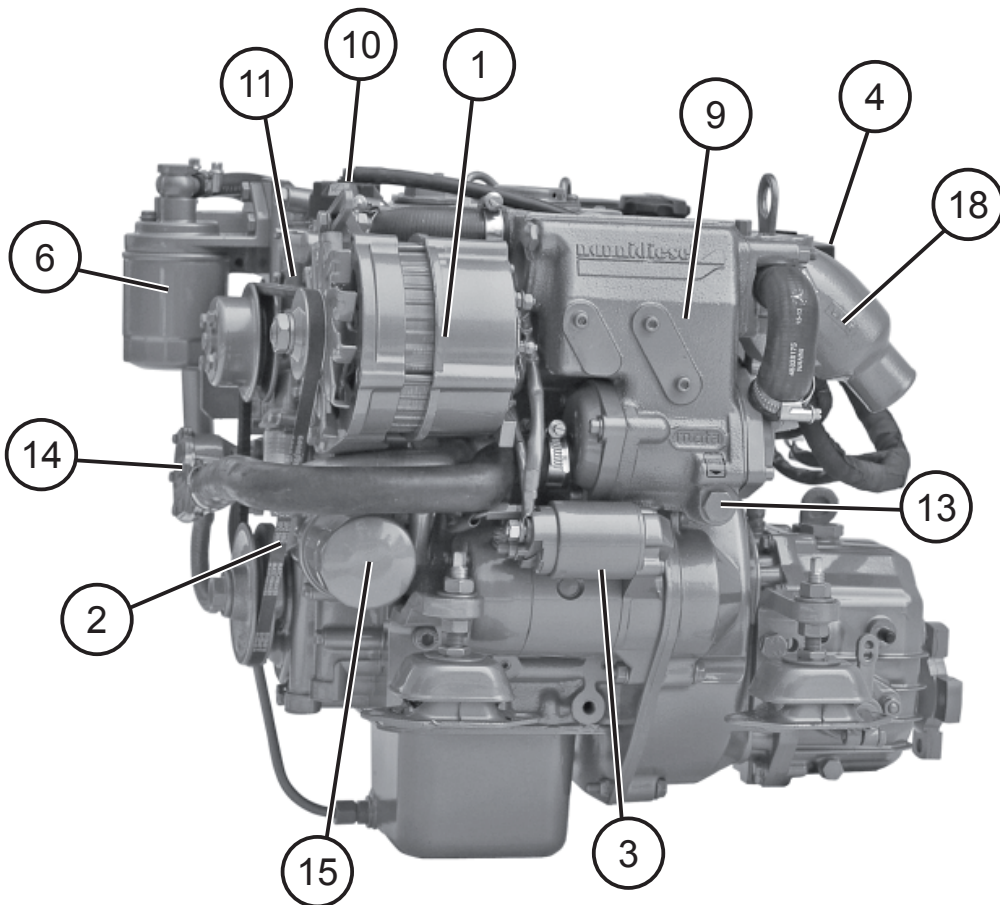


# N2.10

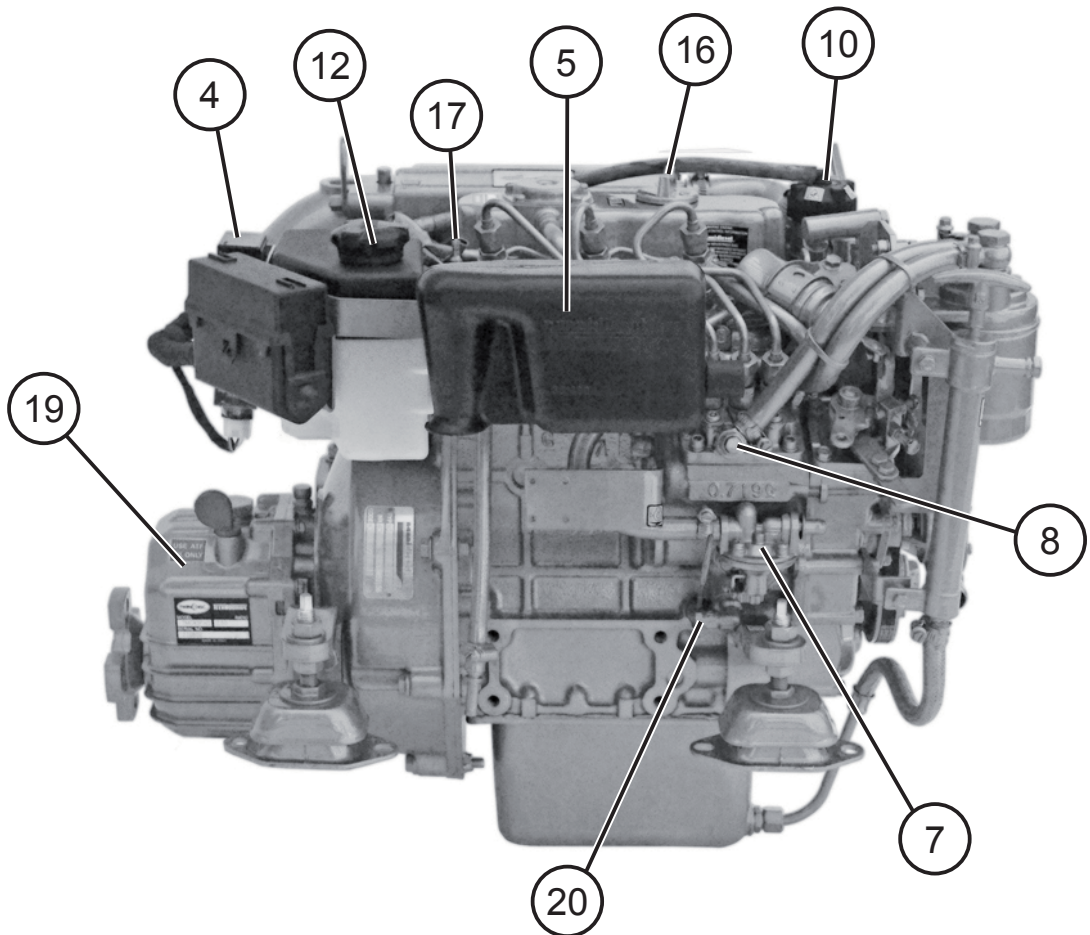
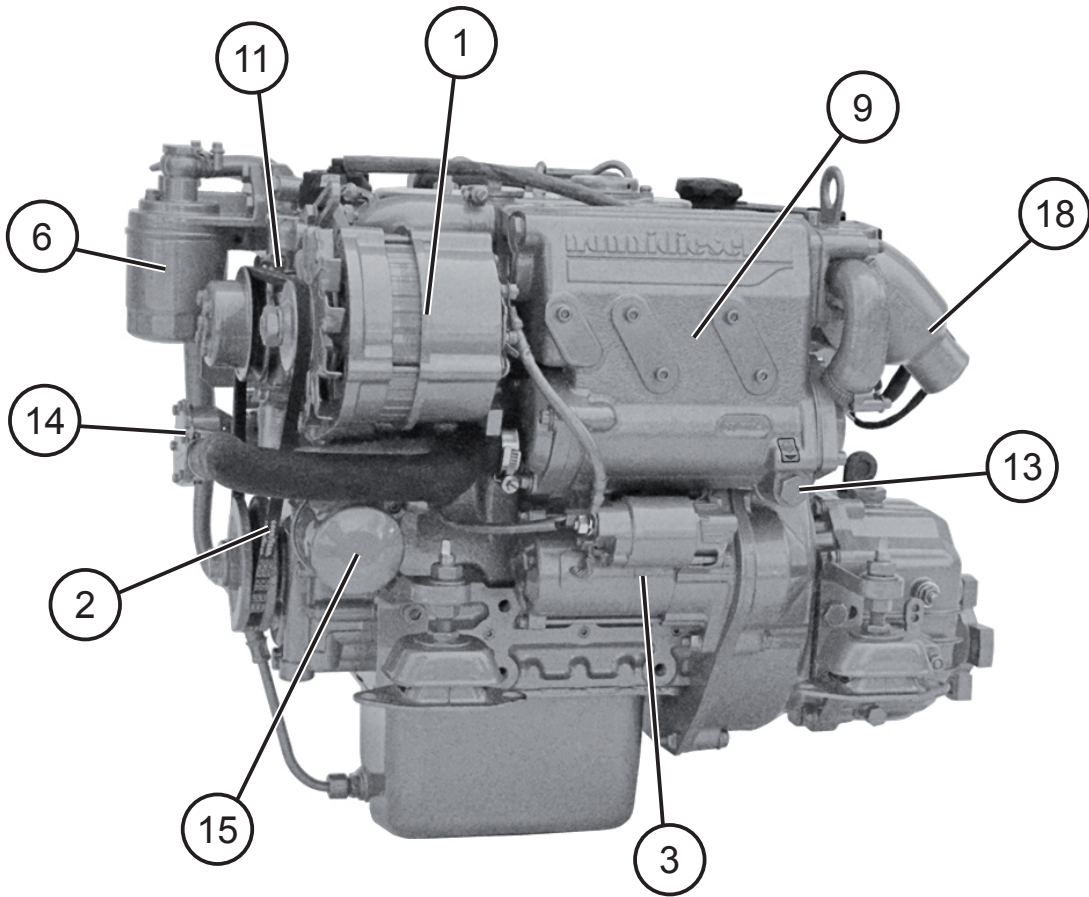




# N2.14



# N3.21



# 5 INSTRUMENTENTAFEL

## ⚠️ WARNUNG

Vor der Inbetriebnahme des Motors die Anweisungen zum Motorstart und Motorstopp lesen.

Die Instrumententafel informiert über wichtige Zustände des Motors.

**HINWEIS:** In diesem Kapitel werden nur Instrumente und Anzeigen behandelt, die zur Standardausstattung von Nanni-Motoren gehören. Wenden Sie sich an Ihren Händler, wenn im Boot hier nicht behandelte Instrumente verbaut sind oder Sie sich der Funktion nicht sicher sind. Je nach Boot können die Instrumente direkt und ohne die hier gezeigte Tafel in das Armaturenbrett integriert sein.

Bei manchen Booten ist eine Tafel ohne Schlüssel als zusätzliche Instrumententafel an einem zweiten Steuerstand vorhanden. Die Haupttafel mit Schlüsselschalter befindet sich dann für gewöhnlich im Steuerhaus und verhindert den unbefugten Start vom zweiten Stand aus. Damit der Motor vom zweiten Steuerstand aus gestartet werden kann, muss der Schlüssel an der Haupttafel auf **ZÜNDUNG** stehen

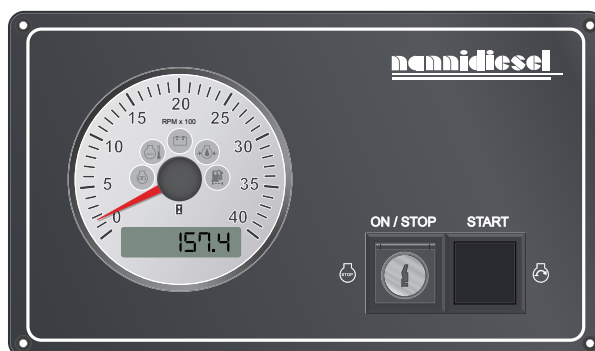
## Standardtafel

### ECO4 TAFEL

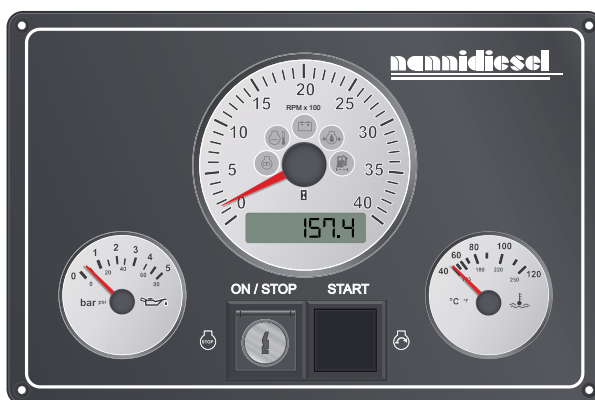


**HINWEIS:** Die Eco4 Panel ist nur mit dem Motormodell N2.10 verfügbar.

### A4 TAFEL



### C4 TAFEL



# Instrumente

## Drehzahlmesser und Warnleuchten

Der analoge Drehzahlmesser zeigt die Motordrehzahl an. Der angezeigte Wert mal 100 entspricht den Umdrehungen des Motors pro Minute.

Die Funktion der Warnleuchten ist auf den folgenden Seiten erläutert.



## Betriebsstundenzähler und Spannungsmesser

Die Anzeige unten im Zifferblatt gibt die Betriebszeit des Motors in Stunden an.

Wenn Bordspannung anliegt, wird hier die Spannung an den Batteriepolen angezeigt.

# Anlasserschalter

Mit dem Anlasserschalter starten und stoppen Sie den Motor.

Der mit **ON / STOP** bezeichnete Schalter schaltet die Spannung ein und stoppt den Motor.

Die mit **START** bezeichnete Taste glüht den Motor vor und betätigt den Anlasser.

**HINWEIS:** Standardmäßig wird das Motormodell N2.10 nicht mit einem elektrischen Stopp-Funktion passen. Ein mechanischer Anschlag Kontrolle muss installiert werden, um den Motor zu stoppen.





## Motoröldruckanzeige

**HINWEIS:** Diese Anzeige zeigt nicht den Motorölstand an. Es wird der Öldruck in bar und psi angezeigt.

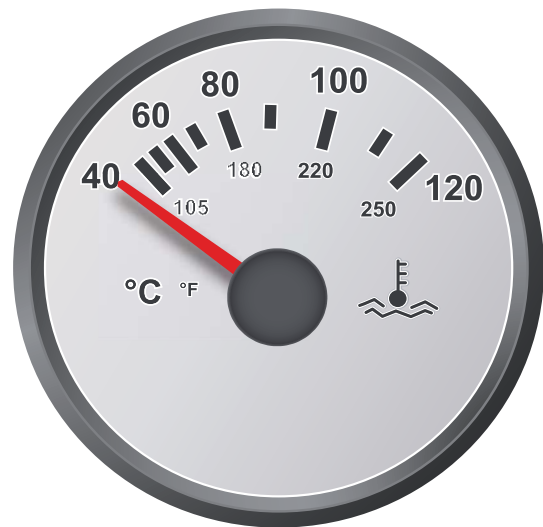
Bei zu niedrigem Öldruck im Schmierkreislauf wird akustische Warnung gegeben, und die entsprechende Warnleuchte schaltet sich ein.



## Kühlmitteltemperaturanzeige

Die Kühlmitteltemperatur wird in Grad Celsius und in Grad Fahrenheit angezeigt.

Bei zu hoher Kühlmitteltemperatur wird akustische Warnung gegeben, und die entsprechende Warnleuchte schaltet sich ein.



## Warnleuchten

### KÜHLMITTELTEMPERATUR



Diese Warnleuchte geht an, wenn die Kühlmitteltemperatur zu hoch ist. Gleichzeitig hören Sie einen Warnton.

#### **⚠ GEFAHR**

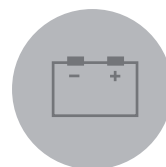
Den Kühlmittelfüllverschluss und die Stopfen des Kühlkreislaufs nie bei warmem Motor öffnen. Es kann Dampf oder heiße Flüssigkeit austreten.

#### **⚠ VORSICHT**

\* Wenn diese Warnung bei laufendem Motor gegeben wird, – außer im Notfall – den Motor stoppen, den Kühlmittelstand, den Zustand des Riemens und des Seewasserfilters prüfen und kontrollieren, dass das Seeventil offen ist.

\* Der Betrieb des Motors mit überhöhter Kühlmitteltemperatur kann zu einem schweren Motorschaden führen. Den Motor nicht betreiben, wenn das Problem bestehen bleibt, sondern möglichst umgehend eine Nanni-Werkstatt verständigen.

## BATTERIELADEZUSTAND



Diese Warnleuchte leuchtet beim Einschalten der Spannung auf.

Wenn sich die Leuchte bei laufendem Motor einschaltet, lädt die Lichtmaschine des Motors nicht.

Ursache kann ein Fehler in der elektrischen Anlage oder ein lockerer Lichtmaschinenriemen sein.

#### **⚠ VORSICHT**

\* Wenn diese Warnung bei laufendem Motor gegeben wird, – außer im Notfall – den Motor stoppen und die Bestandteile des Riemenantriebs prüfen. Außerdem die Teile der elektrischen Anlage (Sicherungen, Batterie usw.) überprüfen.

\* Den Motor nicht betreiben, wenn das Problem bestehen bleibt, sondern möglichst umgehend eine Nanni-Werkstatt verständigen.



## VORGLÜHEN



Diese Leuchte ist eingeschaltet solange die Glühkerzen (wenn vorhanden) arbeiten.

## MOTORÖLDRUCK



Diese Warnleuchte geht an, wenn der Motoröldruck zu niedrig ist. Gleichzeitig hören Sie einen Warn- ton.

### **⚠ VORSICHT**

\* Wenn diese Warnung bei laufendem Motor gegeben wird, – außer im Notfall – den Motor stoppen und den Motorölstand und den Zustand des Ölfilters prüfen.

\* Der Betrieb des Motors mit zu niedrigem Öldruck kann zu einem schweren Motorschaden führen. Den Motor nicht betreiben, wenn das Problem bestehen bleibt, sondern möglichst umgehend eine Nanni-Werkstatt verständigen.

## WASSER IM KRAFTSTOFFFIL- TER



Diese Warnleuchte geht an, wenn der Kraftstofffilter des Motors zu viel Wasser führt (trifft nicht auf alle Motoren zu). Gleichzeitig hören Sie einen Warnton.

Wenn diese Warnung gegeben wird, den Motor stoppen und das Wasser aus dem Kraftstofffilter entleeren.





## Note

---

# 6 MOTORBETRIEB

## Vor dem Motorstart

### ⚠ **WARNUNG**

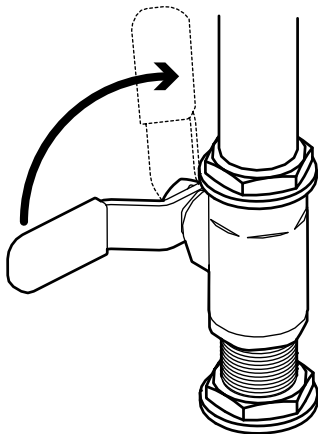
Vor dem Motorstart alle ausgebauten Schutzabdeckungen zurückbauen.

### ⚠ **VORSICHT**

Vor dem Motorstart das Seeventil (wenn vorhanden) öffnen. Wenn die Seewasserpumpe trocken läuft, reichen schon wenige Sekunden aus, um das Flügelrad zu beschädigen, außerdem überhitzt der Motor.

Vor dem Motorstart alle diese Punkte durchführen:

**1.** Das Seeventil (wenn vorhanden) öffnen. Das Seewassersystem bei Bedarf vorfluten.



**2.** Den Motorraumlüfter (wenn vorhanden) für mindestens fünf Minuten einschalten. Andernfalls die Luke öffnen.

**3.** Den Kraftstoffvorrat kontrollieren.

**4.** Den Steuerhebel neutral stellen.

**5.** Den Kraftstoffhahn öffnen, die Anlage bei Bedarf vorfluten.

**6.** Den Motoröl- und Getriebeölstand kontrollieren und bei Bedarf das empfohlene Öl nachfüllen.

**7.** Den Kühlmittelstand kontrollieren und bei Bedarf auffüllen.

**8.** Die Steuerzüge kontrollieren und bei Bedarf die Verbindungen fetten.

**9.** Kontrollieren, dass nirgendwo Kraftstoff, Öl, Kühlmittel oder Wasser leckt.

**10.** Den Lichtmaschinenriemen kontrollieren.

**11.** Die Hauptschalter einschalten.



# Motor starten

## **⚠ GEFAHR**

\* Der drehende Propeller ist eine Gefahrenquelle. Vor dem Motorstart sichergehen, dass sich im Wasser in der Nähe des Propellers keine Personen aufhalten.

\* Auf keinen Fall Starthilfespray oder dergleichen verwenden. Diese Produkte sind hochentzündlich.

## **⚠ VORSICHT**

\* Den Motor immer vorglühen. Den kalten Motor nicht hochdrehen.

\* Den Anlasser nicht länger als 10 Sekunden am Stück betätigen. Wenn der Motor nicht anspringt, vor dem nächsten Versuch 2 Minuten warten. Andernfalls kann der Anlassermotor Schaden nehmen.

\* Wenn der Motor nach 3 Versuchen nicht startet, den Schlüssel abziehen und den Wassersammler entleeren. Andernfalls besteht die Möglichkeit, dass Wasser in die Zylinder dringt.

**HINWEIS:** Beim ersten Motorstart den Motor mehrere Minuten im Leerlauf laufen lassen und beobachten, ob Undichtigkeiten oder Auffälligkeiten festzustellen sind.

# Motorstart mit Fremdstartbatterien

## **⚠ VORSICHT**

Die Spenderbatterien müssen dieselbe Bemessungsspannung wie die Startbatterien des Motors haben.

1. Das Überbrückungskabel mit dem Pluspol (+) der entladenen Batterie, dann mit dem Pluspol (+) der Fremdstartbatterie verbinden.

2. Das Überbrückungskabel mit dem Minuspol (–) der Fremdstartbatterie verbinden. Dann das andere Ende des Kabels an eine Schraube an der Kupplung des Motorblocks klemmen.

## **⚠ GEFAHR**

Bei einem Motor mit zweipoliger elektrischer Anlage das andere Ende des Überbrückungskabel mit dem Minuspol (–) der Fremdstartbatterie verbinden.

3. Den Motor normal starten.

4. Den Motor einige Minuten im Leerlauf laufen lassen, damit die Batterie geladen wird.

5. Den Motor stoppen und die Kabel in exakt umgekehrter Reihenfolge trennen.

## Tafel mit Schlüssel

1. Den Steuerhebel neutral stellen.
2. Den Schlüssel in den **ON / STOP**-Anlasserschalter stecken.
3. Den Schlüssel eine viertel Drehung nach rechts drehen. Alle Warnleuchten werden eingeschaltet, und es wird ein akustisches Signal gegeben. Nach wenigen Sekunden gehen die Leuchten bis auf die **MOTORÖL-DRUCKWARNLEUCHE** und die **BATTERIELADEKONTROLLLEUCHE** aus.
4. Die **START**-Taste halb eindrücken, um den Motor vorzuglühen. Die Taste, je nach Außentemperatur, 5 bis 15 Sekunden halten.
5. Die Taste ganz eindrücken, um den Motor zu starten. Die Taste freigeben, sobald der Motor startet. Jetzt gehen alle Leuchten aus.
6. Bei einem Motor mit wassergekühltem Abgaskrümmen prüfen, dass Wasser aus dem Abgasaustritt am Rumpf läuft. Wenn kein Wasser kommt, den Motor abstellen und das Seewassersystem prüfen.

## Tafel ohne Schlüssel

1. Mit dem Schlüssel an der Haupttafel (wenn vorhanden) die Zündung einschalten.
2. Den Steuerhebel neutral stellen.
3. Die **ON / STOP**-Taste drücken. Alle Warnleuchten werden eingeschaltet, und es wird ein akustisches Signal gegeben. Nach wenigen Sekunden gehen die Leuchten bis auf die **MOTORÖL-DRUCKWARNLEUCHE** und die **BATTERIELADEKONTROLLLEUCHE** aus.
4. Die **START**-Taste halb eindrücken, um den Motor vorzuglühen. Die Taste, je nach Außentemperatur, 5 bis 15 Sekunden halten.
5. Die Taste ganz eindrücken, um den Motor zu starten. Die Taste freigeben, sobald der Motor startet. Jetzt gehen alle Leuchten aus.
6. Bei einem Motor mit wassergekühltem Abgaskrümmen prüfen, dass Seewasser aus dem Abgasaustritt am Rumpf läuft. Wenn kein Wasser kommt, den Motor abstellen und das Seewassersystem prüfen.

# Bei laufendem Motor

## ⚠ **VORSICHT**

Bei laufendem Motor nie die **START**-Taste drücken.

Die Instrumente und Warnleuchten nach dem Motorstart beobachten und während der Fahrt im Auge behalten.

## Marschgeschwindigkeit

Die empfohlene Motordrehzahl zur Ermittlung der optimalen Marschgeschwindigkeit ist im Kapitel **TECHNISCHE DATEN** angegeben.

**HINWEIS:** Die Marschgeschwindigkeit wird von der Beladung des Boots und weiteren Faktoren beeinflusst.

Der Motordauerbetrieb mit Vollgas ist nicht zu empfehlen, da er sowohl unkomfortabel als auch unwirtschaftlich ist. Der Motorbetrieb mit anhaltend niedrigen Drehzahlen wiederum kann unter anderem dem Ölverbrauch steigen lassen.

In der Einspritzanlage kommt es zudem zu Ablagerungen, wenn der Motor regelmäßig unter seiner normalen Betriebstemperatur bleibt. Der Motor soll darum immer wieder auch Vollgas gefahren werden, damit eventuelle Ablagerungen in der Kraftstoffanlage abgebrannt werden.

# Manövrieren

## ⚠ **WARNUNG**

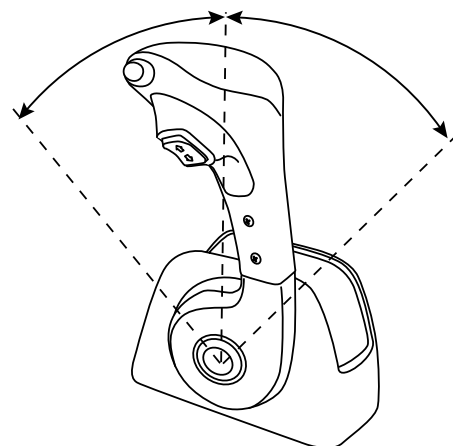
Schaltvorgänge bei hoher Geschwindigkeit schaden dem Motor und dem Getriebe und können Passagiere in Gefahr bringen.

## ⚠ **VORSICHT**

Bei einem Boot mit zwei Motoren sollen zum Reversieren beide Motoren gestartet werden, weil dann das Risiko geringer ist, dass Wasser in den stehenden Motor gedrängt wird.

Zum Umschalten der Fahrtrichtung zwischen vorwärts und rückwärts:

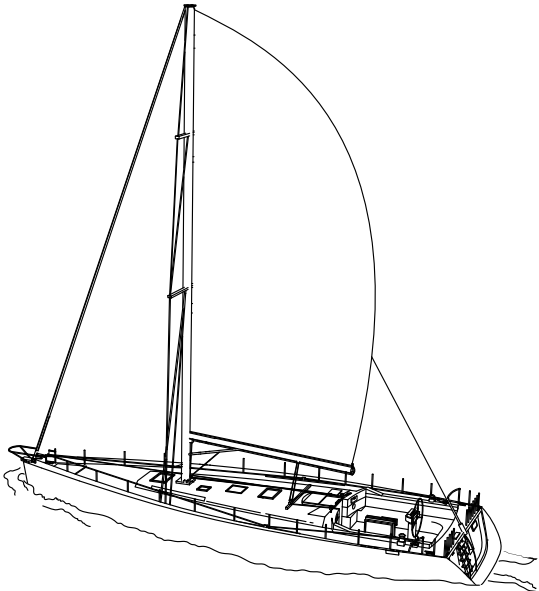
1. Die Motordrehzahl auf Leerlaufdrehzahl zurücknehmen und das Boot, wenn möglich, einen Großteil an Fahrt verlieren lassen.



2. Den Steuerhebel neutral stellen und einige Sekunden warten.
3. Den Steuerhebel achtern bewegen. Die Geschwindigkeit erhöhen.

## Segeln mit gestopptem Motor

Beim Segeln ist es möglich, die durch den Propeller erzeugten Widerstand zu begrenzen.



### ⚠ **VORSICHT**

\* Siehe als Priorität die Empfehlungen des Herstellers des Übertragungs

### *Mit faltbaren Propellerflügeln:*

- Den Gashebel achtern (in den Rückwärtsgang) bringen. Die Flügel sind in Vorausfahrt angelegt. Der durch die Flügel erzeugte hydrodynamische Widerstand ist so klein wie möglich.

### *Ohne faltbare Propellerflügel:*

- Den Gashebel achtern (in den Rückwärtsgang) bringen. Der Propeller dreht nicht und erzeugt hydrodynamischen Widerstand.
- Den Hebel neutral stellen. Der Propeller dreht und erzeugt einen kleineren hydrodynamischen Widerstand als im Rückwärtsgang.

### ⚠ **VORSICHT**

\* Das Boot soll nicht länger als 6 bis 7 Stunden am Stück unter Segel bei gestopptem Motor und mit dem Hebel in Neutral gefahren werden. Der Propeller kann den Schaft andrehen und das Getriebe beschädigen. Den Motor mindestens alle 6 Stunden für 15 Minuten laufen lassen, damit das Getriebe Schmierung erhält.

\* Unabhängig von der Bauart von Propeller und Getriebe darf der Motor zum Segeln nie im Vorwärtsgang gestoppt sein.

\* Unter Segel das Seeventil schließen, wenn das Boot schneller als 8 Knoten werden kann. Es besteht die Möglichkeit, dass Wasser durch den Seewassereinlass gedrückt wird und den Auspuff flutet. Das Seeventil vor dem Neustart des Motors wieder öffnen.

# Motor stoppen

## ⚠ VORSICHT

Den Motor nie mit dem Hauptschalter stoppen. Das Bordnetz kann beschädigt werden.

Den Motor vor dem Motorstopp einige Minuten in Neutral mit Leerlaufdrehzahl laufen lassen. Besonders nach dem Vollastbetrieb ist dieser Vorgang notwendig, damit das Kühlmittel den Motor herunterkühlen kann.

1. Den Lüfter (wenn vorhanden) im Motorraum einschalten oder die Luke öffnen.
2. *Wenn das Motor mit einem mechanischen Anschlag Steuerung ausgestattet: Ziehen und halten Sie die Stopp-Befehl, bis der Motor steht. Drücken Sie die **STOPP**-Steuerung.* Den Schlüssel im Anlasserschalter nach links drehen.
3. *Wenn das Motor mit Elektro Stopp-Funktion ausgestattet:* Den Schlüssel im Anlasserschalter nach links drehen. Der Motor stoppt, und alle Anzeigen gehen aus. An einer Tafel ohne Schlüssel die ON / STOP-Taste drücken und loslassen. Der Motor stoppt. Den Schlüssel an der Haupttafel nach links drehen. Alle Anzeigen gehen aus.

## ⚠ VORSICHT

Verschiedene Bauteile und Flüssigkeiten bleiben auch nach dem Motorstopp noch eine Zeit heiß oder stehen unter Druck. Den gestoppten und heißen Motor nach Möglichkeit ruhen lassen, in diesem Zustand keine Arbeiten am Motor vornehmen.

Nach dem Motorstopp:

1. Den Hauptschalter ausschalten.
2. Das Seeventil und den Kraftstoffhahn schließen.
3. Die Motorraum inspizieren und auf austretende Flüssigkeiten achten.

## ⚠ VORSICHT

- \* Wenn das Boot geschleppt wird, den Motor stoppen, Den Hebel neutral stellen und das Seeventil schließen, damit der Motor kein Seewasser aufnimmt.
  - \* Bei Booten mit zwei Motoren zur Fahrt mit einem Motor das Seeventil des gestoppten Motors schließen.
- Das Seeventil vor dem Neustart des Motors wieder öffnen.



## Ankern

Wenn das Boot längere Zeit vor Anker oder im Hafen liegt, können Rumpf, Kiel, Antrieb, Ruder, Propeller usw. Bewuchs ansetzen. Dieser Bewuchs wirkt sich erheblich auf das Verhalten des Boots und das Leistungsverhalten des Motors aus, wenn er vor dem Wiedereinsatz des Boots nicht entfernt wird.

Durch Bewuchs und den Anwuchs von Organismen kann ebenso der Durchsatz durch das Seewassersystem behindert werden, so dass der Motor überhitzt und Schaden nimmt.

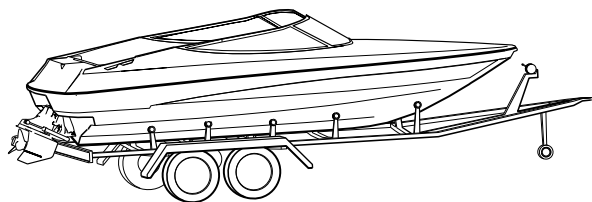
Boot und Seewassersystem sollen darum jedes Mal vor der Ingebrauchnahme des Boots inspiziert und bei Bedarf gereinigt werden. Wenn das Boot aus dem Wasser gezogen wird, den Rumpf reinigen und mit einem Antifouling-Anstrich versehen. Das Mittel nicht auf die Anoden bringen.

Bei längerer Liegezeit kann über den Abgasaustritt Wasser in die Abgasanlage eindringen. Bei einem ankernden Boot darum regelmäßig den Wassersammler leeren.

## Längere Liegezeiten

Wenn das Boot über mehrere Wochen nicht gefahren wird und im Wasser liegt, soll der Motor alle 10 Tage gestartet werden und einigen Minuten arbeiten.

Wird das Boot länger als 2 Monate nicht gefahren, sind besondere Maßnahmen an Motor und Getriebe nötig. Hinweise finden Sie im Kapitel **EINWINTERN**.



Um Frostschäden vorzubeugen, muss bei Frostgefahr der Seewasserkreislauf entleert werden. Weitere Hinweise enthalten die Kapitel im Abschnitt **WARTUNG** und das Kapitel **EINWINTERN**.

**BEAUFTRAGEN SIE MIT DIESEN AUFGABEN EINE NANNI-VERTRAGSWERKSTATT.**



**⚠ WARNUNG**

- \* Zur Durchführung von Wartungsarbeiten soweit möglich den Motor stoppen, den Schlüssel abziehen und die Stromzufuhr unterbrechen.
- \* Vor Aufnahme der Arbeit das gesamte Kapitel und alle Sicherheitshinweise lesen, so dass jeder Vorgang als Ganzes nachvollziehbar ist und vorbereitet werden kann.

In diesem Handbuch werden nur vorbeugende Wartungsmaßnahmen behandelt, die vom Eigentümer bzw. Bediener des Motors durchzuführen sind. Die vorbeugende Wartung in den vorgesehenen Abständen gewährleistet die optimale Zuverlässigkeit und Nutzungsdauer des Motors.

In der Garantiezeit ist wichtig, dass alle Arbeiten von einer Nanni-Vertragswerkstatt durchgeführt werden. Die durchgeführten Arbeiten sind dabei im Betreuungssystem von Nanni zu dokumentieren.

Bestimmte regelmäßige, insbesondere die vor jedem Motorstart durchzuführenden Kontrollen können hingegen nur vom Anwender vorgenommen werden. Darüber hinaus werden im Folgenden Selbsthilfemaßnahmen beschrie-

ben, die Sie im Notfall durchführen oder wenn kein Reparaturzentrum in der Nähe ist.

Wir raten, alle selbst durchgeführten Arbeiten von einer Nanni-Vertragswerkstatt nachsehen zu lassen.

Unabhängige Reparaturen und Einstellarbeiten am Motor, die über einen begrenzten Rahmen hinausgehen, sind aus Sicherheitsgründen verboten.

Fehler bei der Ausführung bringen die Person, die an dem Motor arbeitet, und andere Personen in Gefahr. Dies betrifft insbesondere auch Arbeiten an der Ventileinstellung und der Einspritzanlage.

**HINWEIS:** Wartungsintervalle und relevante Informationen zur vorbeugenden Wartung des Getriebes sind der Betriebsanleitung des Getriebeherstellers zu entnehmen. Für weitere Hinweise zur Wartung des Getriebes steht Ihnen auch jederzeit der Nanni-Händler zur Verfügung.

Die Betriebsstunden des Motors werden von einem Betriebsstundenzähler angezeigt.

# Wartungsplan

**HINWEIS:** Die in kürzeren Abständen, also z. B. täglich, durchzuführenden Maßnahmen gelten als in den Umfang der nächsten Intervalle eingeschlossen, sind also entsprechend auch alle 100 Stunden, jedes Jahr usw. fällig. Bestimmte Bauteile sind am bestellten Motor eventuell nicht vorhanden.

Mit einem ► gekennzeichnete Arbeiten sollen von der Nanni-Werkstatt durchgeführt werden.

\* bezeichnet Maßnahmen, die 20 Betriebsstunden oder 45 Tage nach der Inbetriebsetzung durchzuführen sind.

## **VOR DEM MOTORBETRIEB**

- Den Motor- und Getriebeölstand prüfen. Bei Bedarf auffüllen.\*
- Den Zustand und Füllstand des Kühlmittels prüfen. Bei Bedarf auffüllen.\*
- Den Seewasserfilter prüfen und bei Bedarf reinigen.\*
- Das Wasser aus dem Kraftstoffvorfilter entleeren.\*
- Den Zustand der Batterie prüfen.\*
- Die Warnleuchten in der Instrumententafel prüfen.\*
- Wasserdichtheit allgemein prüfen und bei Bedarf korrigieren.\*
- Den Zustand der Stopfbuchse prüfen.\*

## **ALLE 100 BETRIEBSSTUNDEN / MINDESTENS JÄHRLICH**

- Den Luftfilter reinigen. Bei Bedarf wechseln.
- Den Kraftstofffilter wechseln.\*
- Den Zustand und die Spannung der Riemen prüfen. Bei Bedarf wechseln.\*
- Die Anoden prüfen. Bei Bedarf wechseln.\*
- Die Befestigung der elektrischen Verbindungen, der Kabel und Schellen und den Schraubenanzug prüfen, bei Bedarf korrigieren.\*
- Ablagerungen aus dem Kraftstofftank räumen und den Kraftstofftank entleeren.
- Das Steuergerät und den Zustand der Züge prüfen, die Züge fetten.\*

## **ALLE 200 BETRIEBSSTUNDEN / MINDESTENS JÄHRLICH**

- Das Motor- und Getriebeöl wechseln.\*
- Die Ölfilter wechseln.\*
- Die Kraftstofffilter wechseln.\*
- Das Flügelrad der Seewasserpumpe prüfen. Bei Bedarf wechseln.
- Die elastischen Motoraufhängungen prüfen. Bei Bedarf einstellen.\*
  - ▶ Das Ladedruckregelventil des Turboladers reinigen.
  - ▶ Bei Bedarf den Lack reinigen und ausbessern.

## **ALLE 400 BETRIEBSSTUNDEN / MINDESTENS ALLE 2 JAHRE**

- ▶ Den Thermostat des Wärmetauschers austauschen.
- ▶ Den Einfüllstopfen des Wärmetauschers austauschen.
- ▶ Das Kühlmittel ablassen und wechseln. Das Kühlsystem reinigen.
- ▶ Das Rohrbündel des Wärmetauschers prüfen und reinigen. Den O-Ring wechseln.
- ▶ Das Rohrbündel des Luftkühlers prüfen und reinigen. Den O-Ring wechseln. Das Rohrbündel des Getriebeölkühlers prüfen und reinigen.
- ▶ Die Kraftstoffeinspritzdüsen prüfen. Bei Bedarf wechseln.
- ▶ Das Ventilspiel bei kaltem Motor prüfen.
- ▶ Den Turbolader prüfen und reinigen.

## **ALLE 1000 BETRIEBSSTUNDEN / MINDESTENS ALLE 4 JAHRE**

- ▶ Ändern Sie die flexible Motorlager

# Allgemeine Inspektion

## ⚠ VORSICHT

Ansammlungen von Öl, Kraftstoff und Fett im Bereich des Motors erhöhen die Gefahr, dass im Motorraum Feuer ausbricht. Solche Stoffe entfernen.

Machen Sie sich die Sichtkontrolle des Motors und des Motorraums jedes Mal vor dem Einsatz von Boot und Motor zur festen Gewohnheit: Nach Anzeichen suchen, dass Kraftstoff, Wasser oder Öl leckt, den Anzug der Schellen und Schrauben, den Zustand von Riemern, Schläuchen und elektrischer Verkabelung prüfen, den Verschleiß der Anoden (wenn vorhanden), den Batterieelektrolytstand kontrollieren und Alle Komponenten des Motorbefestigungssystem.

## Steuerzüge

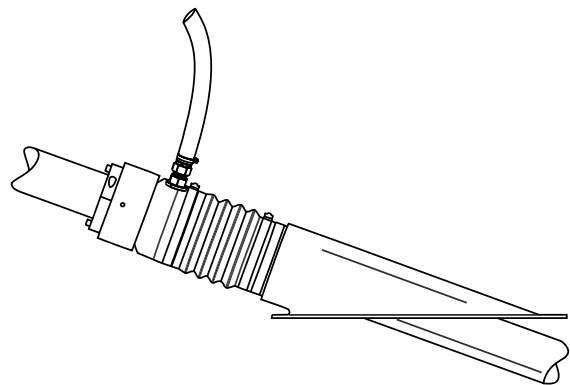
Motordrehzahl und Schaltgetriebe werden über mit dem Steuerhebel verbundene mechanische Seilzüge gesteuert.

Die Züge bei Bedarf nachstellen. Ein schadhafter (rostiger, gerissener oder anderweitig auffälliger) Zug muss umgehend ausgetauscht werden.

# Stopfbuchse

## ⚠ GEFAHR

Segelboote und Boote mit Abgaskrümmern unter der Wasserlinie dürfen nicht mit einer Stopfbuchse ausgerüstet werden, die von dem Motorkühlsystem entnommenem Seewasser geschmiert wird. Segelboote und Boote mit Abgaskrümmern unter der Wasserlinie benötigen eine getrennte Wasserzuführung oder eine fettgeschmierte Stopfbuchse.



Wenn das Boot eine Stopfbuchse mit Fasergeflechtabdichtung besitzt, prüfen Sie die Dichtheit des Systems. Da dieses System nicht vollkommen dicht konzipiert ist, ist es normal, dass etwas Wasser durch die Stopfbuchse leckt. Den normalen Zustand erkennen Sie daran, dass das Wasser tropfenweise eingetragen wird. Wenn zu viel Wasser einläuft, stoppen Sie den Motor so bald wie möglich und wenden sich an den Nanni-Händler.

In jedem Fall ist wichtig, dass die Stopfbuchse nicht trockenläuft.

## Abgasanlage

Untersuchen Sie alle Bestandteile der Abgasanlage (Schläuche, Schellen, Mischkrümmer, Krümmer usw.). Achten Sie auf Risse, Lecks und Korrosion, ziehen Sie lockere Teile nach, tauschen Sie schadhafte Teile aus.

Ölkohle- oder Rußablagerungen an den Bestandteilen der Abgasanlage deuten auf ein Leck im System hin.

An der Abgasanlage festgestellte Mängel müssen behoben werden, denn es besteht Gefahr, dass Abgas oder Wasser in den Motor und das Boot leckt.

## Lufteinlass

### ⚠ **WARNUNG**

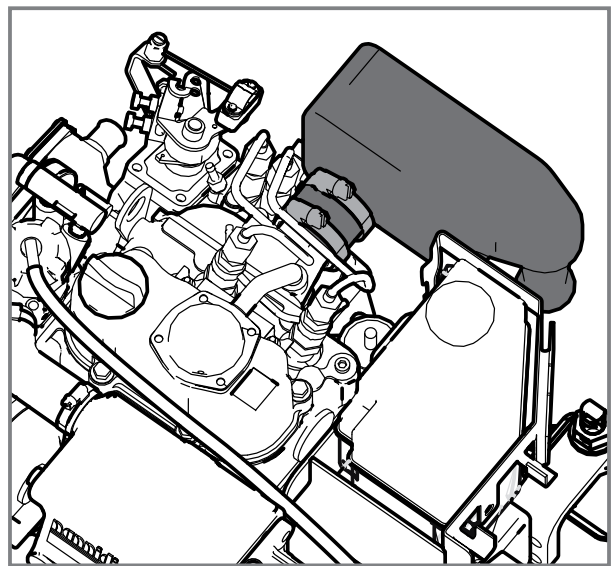
Die Arbeiten bei gestopptem und kaltem Motor durchführen. Darauf achten, dass Staub und Schmutz aus dem Ansaugkrümmer gehalten werden.

Der Luftfilter dämpft das Ansaugluftgeräusch des Motors und fängt Schmutzpartikel vor dem Ansaugkrümmer ab.

Zuverlässigkeit und Leistungsfähigkeit des Motors sind unter anderem von der Menge und der Temperatur der Einlassluft abhängig.

So prüfen Sie den Luftfilter:

1. Die Schellen und den Filter ausbauen.
2. Den Filter innen mit Druckluft reinigen.
3. Einen beschädigten Luftfilter wechseln.
4. Den Filter mit den Schellen einbauen. Die Schellen sollen dicht gespannt sein, aber den Filter nicht beschädigen.





# Kraftstoffanlage

## ⚠ **GEFAHR**

Zum Betanken und vor Arbeiten an der Kraftstoffanlage den Motor stoppen und abkühlen lassen.

## ⚠ **WARNUNG**

\* Kraftstoff ist brennbar und gefährlich. Auf heißen Oberflächen oder in der Nähe von Funken freigesetzter Kraftstoff kann Feuer fangen.

\* Nicht auf die Einspritzleitungen treten. Darauf achten, dass die Leitungen intakt und unversehrt bleiben.

## ⚠ **VORSICHT**

Arbeiten an der Kraftstoffanlage setzen absolute Sauberkeit voraus. Es dürfen keine Unreinheiten in die Einspritzanlage eingetragen werden. Keinen Kraftstoff auf die Schläuche geraten lassen.

**HINWEIS:** Arbeiten an der Einspritzanlage sollen ausschließlich von einer Nanni-Vertragswerkstatt durchgeführt werden.

Kontrollieren Sie regelmäßig den Zustand aller Teile der Kraftstoffanlage (Schläuche, Filter, Schellen usw.), und lassen Sie Schäden beheben.

# Funktion der Kraftstoffanlage

Der Kraftstoff wird von der Kraftstoffförderpumpe aus dem Tank angesaugt und von der Einspritzpumpe in den Brennraum gespritzt. Zwischen Förderpumpe und Einspritzpumpe ist ein Kraftstofffilter angeordnet.

Die Einspritzpumpe liefert mehr Kraftstoff als für die Verbrennung benötigt wird. Der unverbrannte Kraftstoff wird über eine Leckageleitung in den Tank zurückgeführt.

## ⚠ **VORSICHT**

Die Einspritzpumpe ist ein Hochpräzisionsbauteil. Wassereintritt in die Kraftstoffanlage schädigt die Einspritzpumpe und die gesamte Kraftstoffanlage nachhaltig.

Zwischen Kraftstofftank und dem Kraftstofffilter des Motors sollte ein zusätzlicher Kraftstoffvorfilter mit Wasserabscheider vorgesehen werden. Der Vorfilter sollte so nah wie möglich am Motorkraftstofffilter angeordnet werden, nie jedoch direkt am Motor, da die Motorschwingungen den Wasser/Kraftstoff-Abscheideprozess stören.

Wenn sich der Kraftstofftank unterhalb der Motoreinspritzpumpe befindet, empfiehlt sich eine zusätzliche elektrische Kraftstoffförderpumpe zwischen Vorfilter und Förderpumpe des Motors.



## Kraftstoffanforderungen

Verwenden Sie nur die im Kapitel **TECHNISCHE DATEN** angegebenen Kraftstoffsorten. Kraftstoffe anderer Qualitäten können den Kraftstoffverbrauch erhöhen und sich ungünstig auf den Motor und dessen Lebensdauer auswirken.

Kraftstoffzusätze empfehlen sich nicht, da sie die Motorleistung herabsetzen und dem Motor schaden können.

Kontrollieren Sie vor dem Motorstart stets, dass der Kraftstoffvorrat ausreichend und der Stand in jedem Fall über der Untergrenze ist. Bei Bedarf Kraftstoff nachfüllen, den Tank aber nicht weiter als bis zur Obergrenze befüllen.

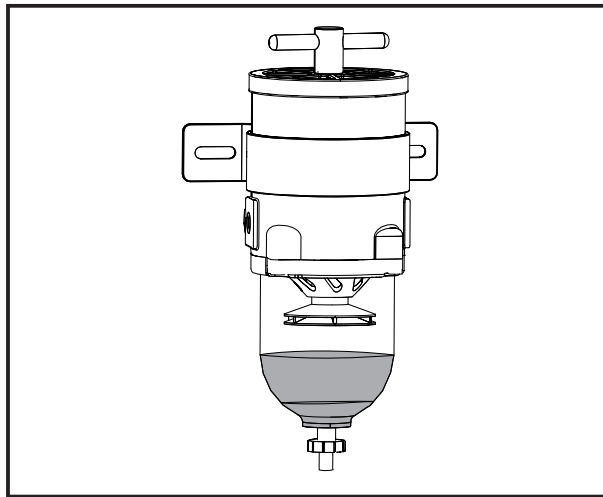
Beim Tanken einen Siebfilter verwenden. Mit dem Kraftstoff eingetragener Schmutz und Staub führen zu Schäden an der Einspritzanlage.

Wenn das Boot längere Zeit nicht in Benutzung ist, befüllen Sie den Tank bis zur oberen Füllstandgrenze.

## Kraftstoffvorfilter

Der Kraftstoffvorfilter ist eine nicht im Standardumfang des Motors enthaltene Sonderausrüstung. Die Ausführung des Vorfilters kann je nach Boot variieren.

**HINWEIS:** Das Wasser im Vorfilter mehrere Stunden nach dem Motorstopp entleeren.

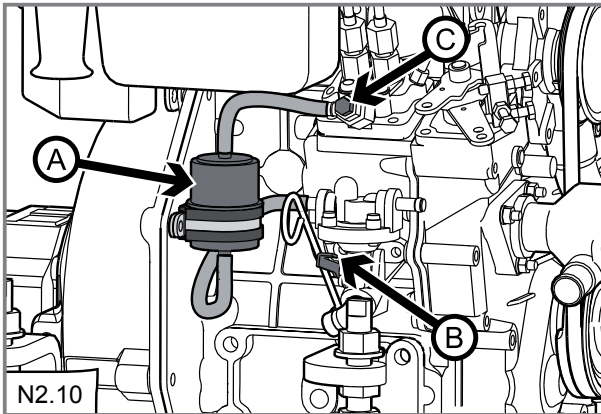


1. Den Kraftstoffhahn am Kraftstofftank schließen.
2. Einen Auffangbehälter unter den Kraftstoffvorfilter stellen. Den Hahn oder Stopfen am Filter lösen und Wasser und Unreinheiten auslaufen lassen.
3. Nachdem das Wasser abgelaufen ist, den Hahn oder Stopfen am Filter wieder anziehen.
4. Den Filtereinsatz prüfen und bei Bedarf wechseln.
5. Den Kraftstoffhahn öffnen.
6. Nach dem Austausch des Filtereinsatzes die Kraftstoffanlage entlüften. Den Motor starten und kontrollieren, dass der Einbau dicht ist.

## Kraftstofffilter wechseln

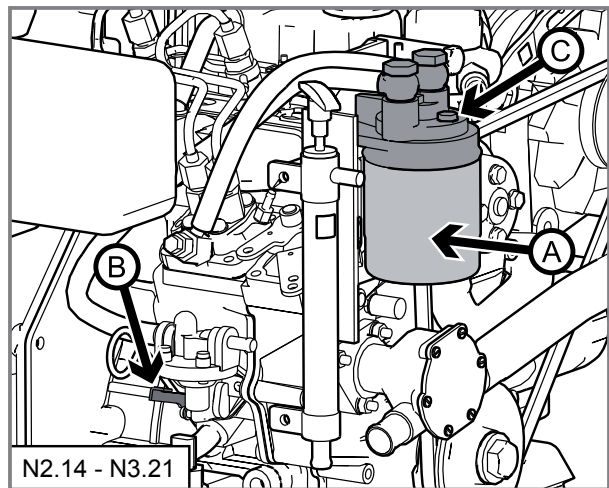
**HINWEIS:** Den neuen Filter vor dem Einbau nicht mit Kraftstoff vorfüllen.

### MOTORTYP N2.10:



1. Den Kraftstoffhahn schließen. Filterkonsole reinigen.
2. Um Kraftstofflecks zu vermeiden, klemmen Sie die Kraftstoffversorgung Leitung in der Nähe des Filters.
3. Klemmen Sie die Schläuche. Reinigen-it.
4. Den Kraftstofffilter **A** ausbauen. Eine Plastiktüte über den Filter ziehen, damit keine Flüssigkeit auf dem Motor vertropft werden kann.
5. Den Kraftstofffilter mit dem Pfeil auf dem Kraftstofffiltergehäuse, das die Richtung der Kraftstoffströmung. Schließen Sie die Rohrleitungen zum Kraftstofffilter.
6. Entfernen Sie die Klemmen
7. Den Kraftstoffhahn öffnen und die Kraftstoffanlage entlüften.

### MOTORTYP N2.14 & N3.21



1. Den Kraftstoffhahn schließen. Filterkonsole reinigen.
2. Eine Plastiktüte über den Filter ziehen, damit keine Flüssigkeit auf dem Motor vertropft werden kann.
3. Den Kraftstofffilter **A** ausbauen. Bei Bedarf einen Filterschlüssel gebrauchen.
4. Die Dichtfläche an der Filterhalterung prüfen und reinigen. Die Dichtung mit Kraftstoff benetzen.
5. Den neuen Filter von Hand anschrauben, bis die Dichtung ansitzt. Ab da um eine weitere halbe Drehung anziehen.
6. Den Kraftstoffhahn öffnen und die Kraftstoffanlage entlüften.

## Kraftstoffanlage entlüften

Die Kraftstoffanlage muss entlüftet werden:

- Nach Wartungsarbeiten an der Kraftstoffanlage,
- Nachdem der Kraftstofftank leer- gefahren oder entleert wurde,
- Wenn der Motor längere Zeit nicht gestartet wurde.

Entlüften der Kraftstoffanlage, wenn **KEINE** elektrische Pumpe vorhanden ist: :

1. Den Kraftstofftank vollmachen. Den Kraftstoffhahn öffnen.
2. Die Entlüftungsschraube **C** lösen. Lappen um die Entlüftungsschraube legen.
3. Mit dem Hebel Kraftstoff pumpen **C**, bis blasenfreier Kraftstoff aus der Bohrung der Entlüftungsschraube fließt.

**HINWEIS:** Wenn der Hebel viel Widerstand gibt, die Kurbelwelle um den Bruchteil einer Umdrehung drehen.

4. Weiter pumpen und gleichzeitig die Entlüftungsschraube anziehen.
5. Noch einige Male pumpen, um die Anlage vorzufüllen.

Entlüften der Kraftstoffanlage, **WENN EINE ZUSÄTZLICHE ELEKTRISCHE KRAFTSTOFF-FÖRDERPUMPE VORHANDEN IST:**

1. Den Kraftstofftank vollmachen. Den Kraftstoffhahn öffnen.
2. Die Entlüftungsschraube **C** lösen. Lappen um die Entlüftungsschraube legen.
3. Den Motor 5 bis 10 Sekunden laufen lassen, so dass die elektrische Kraftstoffförderpumpe der Einspritzpumpe Kraftstoff zuführt.
4. Mit dem Hebel Kraftstoff pumpen **B**, bis blasenfreier Kraftstoff aus der Bohrung der Entlüftungsschraube fließt.
5. Weiter pumpen und gleichzeitig die Entlüftungsschraube anziehen.
6. Noch einige Male pumpen, um die Anlage vorzufüllen.

### **VORSICHT**

Den Kraftstoff im Filter möglichst nicht komplett entleeren.



# Schmieranlage

## ⚠ **GEFAHR**

Die Arbeiten bei gestopptem und kaltem Motor durchführen. Den Schlüssel abziehen und den Hauptschalter ausschalten, damit der Motor nicht versehentlich gestartet wird. Heißes Öl und heiße Oberflächen können in Brand geraten.

## ⚠ **VORSICHT**

\* Den Motor nicht mit zu viel Öl im Kurbelgehäuse betreiben. Öl entnehmen, wenn versehentlich zu viel Öl eingefüllt wurde.

\* Die Getriebeölempfehlung beachten.

**HINWEIS:** An einem neuen oder überholten Motor müssen Öl und Ölfilter nach 20 Betriebsstunden gewechselt werden. Die zu verwendenden Ölsorten sind im Kapitel **TECHNISCHE DATEN** angegeben. Bei Verwendung einer ungeeigneten Ölsorte können Garantieansprüche abgelehnt werden.

Die Viskosität sollte sich nach den jeweiligen klimatischen Verhältnissen richten.

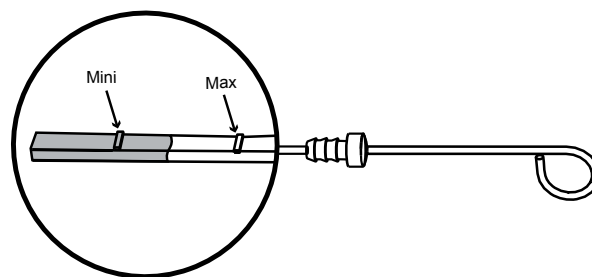
## Ölstand – Motoröl nachfüllen

Prüfen Sie den Motoröl- und den Getriebeölstand vor dem Motor-

start. Der Ölstand soll immer im sicheren Bereich sein. Der Ölstand ist in Ordnung, wenn das Öl zwischen der MIN- und der MAX-Markierung am Messstab steht.

So prüfen Sie den Ölstand:

1. Den Messstab entnehmen und abwischen.
2. Den Messstab einstecken und wieder entnehmen. Prüfen, dass das Öl zwischen MIN und MAX am Messstab steht.



Wenn Öl fehlt, den Öleinfüllstopfen ausbauen und langsam Öl eingießen. Einige Minuten warten, bis das Öl die Ölwanne erreicht hat, und den Ölstand dann noch einmal prüfen.

## ⚠ **VORSICHT**

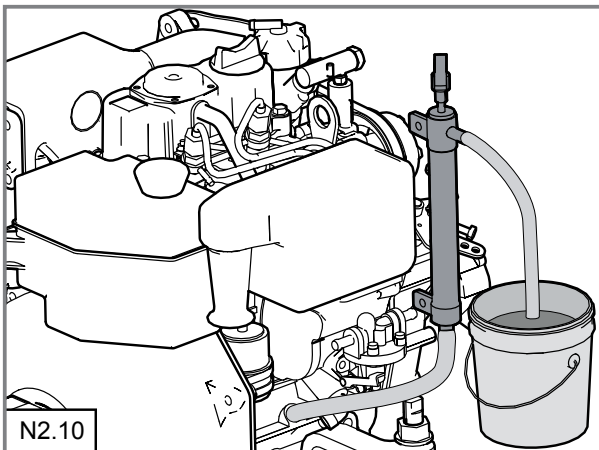
Das Kurbelgehäuse nicht weiter als bis zu dem am Messstab angezeichneten maximalen Füllstand befüllen. Den Motor nicht mit einem Ölstand unter MIN oder über MAX betreiben.

**HINWEIS:** Zum Ölwechsel das alte Öl vollständig ablassen. Nie verschiedene Ölsorten mischen

## Motoröl entleeren

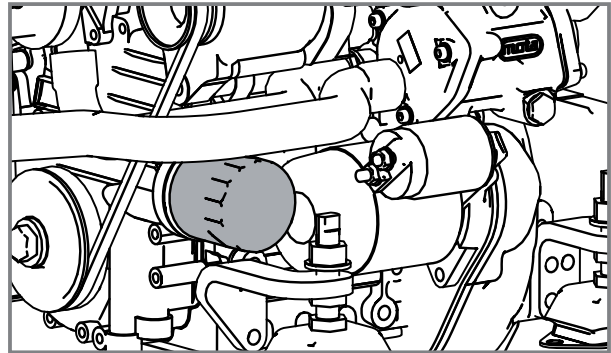
1. Den Motor starten und einige Minuten warmlaufen lassen, weil das Öl dann besser abläuft.
2. Den Motor stoppen und den Schlüssel aus der Tafel ziehen.
3. Einen Ablaufschlauch an die Entleerungspumpe anschließen und einen Auffangbehälter unter den Ablaufschlauch stellen.

**HINWEIS:** Auf der Motor Modell N2.10, verbinden die Ölpumpe mit dem Ölmesstab-Port.



4. Das Öl mit der Ölentleerungspumpe vollständig absaugen. Den Ablaufschlauch abnehmen und die Pumpe feststellen.
5. Auf der Motor Modell N2.10, Entfernen Sie die Ölpumpe. Setzen Sie den Ölmesstab.

## Ölfilter wechseln



1. Den Ölfilter mit einem Filterschlüssel ausbauen. Den Filter gegen den Uhrzeigersinn drehen. Die Dichtung ausbauen.

2. Die Passfläche reinigen, damit keine Verunreinigungen in den Motor gelangen.

3. Einen Ölfilm auf die neue Dichtung geben. Den neuen Filter mit einer neuen Dichtung von Hand anschrauben. Den Filter ab dem Punkt, an dem die Dichtung Berührung mit der Passfläche hat, um eine weitere halbe Drehung anziehen.

4. Die vorgeschriebene Menge neues Öl einfüllen. Den Einbau auf Dichtheit und den Ölstand prüfen.

5. Den Motor starten und einige Minuten im Leerlauf laufen lassen. Sichergehen, dass die Öldruckwarnleuchte ausgeht.

6. Den Motor stoppen, warten bis der Motor abgekühlt ist, und dann den Ölstand prüfen und bei Bedarf korrigieren. ■

# Kühlsystem

## Übersicht

Aufgabe des Kühlsystems ist die Kühlung des Motors auf die richtige Betriebstemperatur, damit der Motor nicht überhitzt. Bei manchen Motoren dient das Kühlsystem außerdem der Kühlung des Kraftstoffs, des Öls oder der Ansaugluft. Das Kühlsystem besteht aus zwei Kreisläufen:

- Dem **KÜHLMITTELKREISLAUF** als dem inneren Kühlkreislauf des Motors. Es handelt sich um einen geschlossenen Kreislauf, in dem Kühlmittel zirkuliert und den Motor kühlt.
- Dem **SEEWASSERKREISLAUF**, in dem mittels eines Wärmetauschers das Kühlmittel mit Seewasser heruntergekühlt wird. Nanni-Motoren werden standardmäßig mit einem Wärmetauscher geliefert, in dem das Kühlmittel nach dem Wärmeaustauschprinzip mit Seewasser gekühlt wird, welches von dem Seeventil bezogen wird. Alternativ ist die Ausstattung mit einer Kielkühlung möglich.

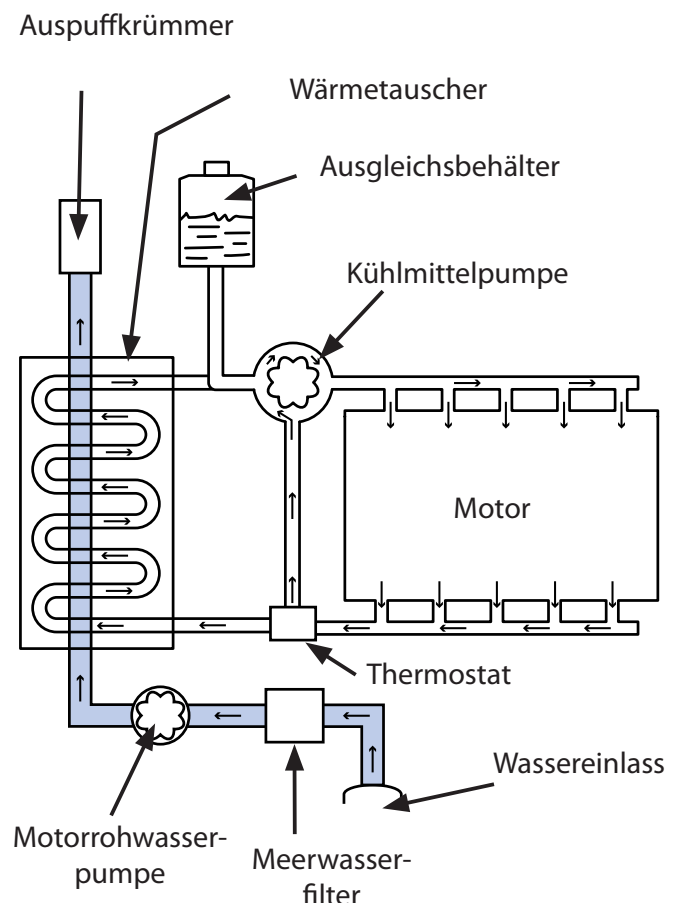
Ein Thermostat hält das Kühlmittel konstant auf der richtigen Betriebstemperatur. Die Thermostatregelung bedeutet, dass Kühlmittel erst ab einer bestimmten Motortemperatur in den Wärmetauscher genommen wird.

### ⚠ VORSICHT

- \* Motoren mit Wärmetauscher eignen sich nicht für Systeme mit Kielkühlung.
- \* Der Betrieb des Motors ohne Kühlmittel oder Seewasserzufuhr führt meist schon nach wenigen Sekunden zu einem Totalausfall des Motors.

## Funktionsprinzip der Kühlung

Das Funktionsprinzip eines Motors mit Wärmetauscher:





## Kühlmittel

### **⚠ VORSICHT**

\* Als Kühlmittel soll eine Zubereitung aus 50 % Frostschutzmittel mit korrosionshemmenden Zusätzen und 50 % sauberem Wasser eingesetzt werden. Der Frostschutzmittelanteil schützt den Motor zugleich vor innerer Korrosion.

\* Diese Mischung soll darum das ganze Jahr über verwendet werden, auch wenn nicht mit Frost zu rechnen ist.

\* Das Kühlsystem darf nie mit Wasser allein befüllt werden.

### **SAUBERES WASSER**

Bereiten Sie die Kühlmittelmischung aus Frostschutzmittel und sauberem, weichem Wasser, destilliertem Wasser oder Leitungswasser zu. Natürliches Wasser (Rohwasser) enthält im Allgemeinen Mineralstoffe und mitunter Salze, die Metall oxidieren und den Korrosionsprozess beschleunigen können.

### **FROSTSCHUTZMITTEL**

Achten Sie bei Frostschutzmittel auf gute Qualität. Die Hauptbestandteile von Frostschutzmittel können Metall korrodieren, so dass sich im Kühlsystem mit der Zeit Rost ansammelt. Minderwertiges Frostschutzmittel besitzt keine ausreichenden Korrosionsschutz-

igenschaften. Die durch den geringen Anteil entsprechender Zusätze ohnehin geringere Schutzwirkung wird bei der Verdünnung mit Wasser weiter herabgesetzt.

Die Zusätze dürfen wiederum keine Eigenschaften aufweisen, die die im Kühlsystem verwendeten Werkstoffe angreifen. Mischen Sie nie verschiedene Zusätze, da unerwünschte chemische Reaktionen auftreten können.

### **WASSERKESSEL**

An den Motorkühlmittelkreislauf kann ein Wasserkessel angeschlossen werden. Wenn der Kessel höher als der Motor steht, wird ein zusätzlicher Ausgleichsbehälter oberhalb des Kessels benötigt.

Je nach Ausführung des Wasserkessels ist die zur vollständigen Befüllung des Kühlsystems erforderliche Kühlmittelmenge anzupassen.

### **KÜHLMITTELAUSDEHNUNG**

Das Kühlmittel dehnt sich bei seiner Erwärmung aus und nimmt mehr Raum ein.

Der Ausgleichsbehälter ist so ausgelegt, dass er diese Ausdehnung berücksichtigt und ausgleicht.



## Coolant level

### ⚠ **GEFAHR**

Den Kühlmiteleinfüllverschluss und die Stopfen des Kühlkreislaufs nie bei laufendem oder warmem Motor öffnen. Es kann Dampf oder heiße Flüssigkeit austreten.

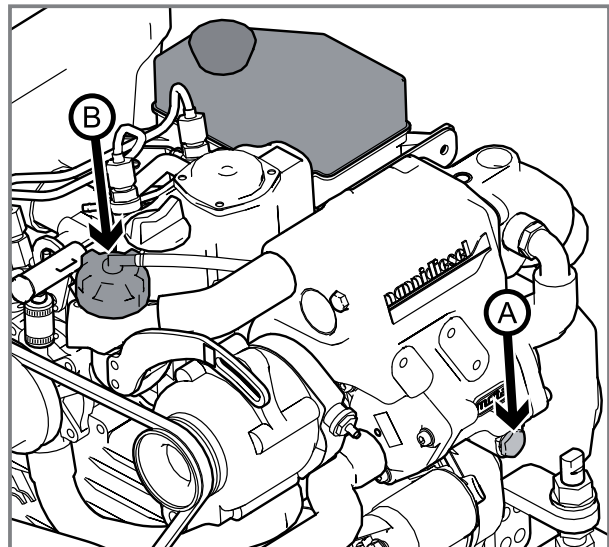
Prüfen Sie den Kühlmittelstand immer vor dem Motorstart.

1. Den Motor stoppen und den Schlüssel aus der Tafel ziehen.
2. Den Kühlmiteleinfüllverschluss langsam an den ersten Anschlag drehen, den Druck aus dem System entweichen lassen, und den Verschluss erst dann abnehmen.
3. Das Kühlmittel soll zwischen der Unterkante des Einfüllstutzens und der Schulter stehen.
4. Bei Bedarf nur sauberes Wasser zugeben.
5. Den Kühlmiteleinfüllverschluss wieder einbauen.
6. Den Kühlmittelstand im Ausgleichsbehälter (wenn vorhanden) prüfen. Das Kühlmittel soll zwischen den Markierungen MIN und MAX am Ausgleichsbehälter stehen. Bei Bedarf sauberes Wasser zugeben.

**HINWEIS:** Die MIN- und MAX-Markierungen am Ausgleichsbehälter (wenn vorhanden) geben den Kühlmittelstand nur annähernd an.

## Kühlmittelkreislauf entleeren

1. Den Motor stoppen und den Schlüssel aus der Tafel ziehen.
2. Einen Behälter zum Auffangen des Kühlmittels unter den Ablaufstopfen **A** des Wärmetauschers setzen.



3. Den Verschluss **A** und den Stopfen **B** ausbauen.
4. Das Kühlmittel komplett ablaufen lassen. Den Ausgleichsbehälter und die Schläuche leer laufen lassen.
5. Einen Schlauch in die Einfüllöffnung des Wärmetauschers führen. Mit frischem Wasser spülen, bis das aus der Ablauföffnung kommende Wasser sauber ist.
6. Den Ablaufstopfen wieder einbauen und Kühlmittel bis zum vorgeschriebenen Stand einfüllen.

## Kühlmittel – Einfüllen

### ⚠ **VORSICHT**

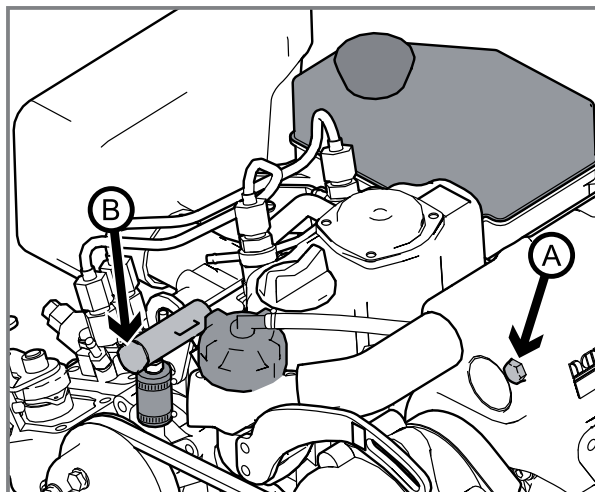
\* Wenn ein Kessel an den Motor geschlossen ist, beim Befüllen die Anleitung des Kesselherstellers hinzuziehen. Wenn der Kessel im Boot höher als der Motor steht, zuerst den Wärmetauscher und den Kessel befüllen und dann das restliche Kühlmittel über den Ausgleichsbehälter oberhalb des Kessels zuführen.

\* Den Wärmetauscher beim Einfüllen von Kühlmittel nicht überfüllen. Eventuell zu viel eingefülltes Kühlmittel ablassen.

Mischen Sie das Frostschutzmittel und Wasser zum Befüllen des Wärmetauschers in einem sauberen Behälter vor. Das Kühlmittel muss absolut staubfrei sein. Den Wärmetauscher langsam befüllen, um Luftpneinschlüsse im Kühlsystem zu vermeiden.

Das Kühlmittelfassungsvermögen des Wärmetauschers ist im Kapitel **TECHNISCHE DATEN** angegeben. Bei Kielkühlung oder in Verbindung mit einem Wasserkessel muss die Kühlmittelmenge der Länge der Leitungen und dem Behälterinhalt entsprechend angepasst werden.

Kühlsystem befüllen :



1. Die Entlüftungsstopfen **A** und **B** öffnen.
2. Den Einfüllstutzen öffnen und mit der vorgeschriebenen Flüssigkeit füllen
3. Die Entlüftungsstopfen schließen, wenn die Flüssigkeit daraus austritt.
4. Kühlmittel über die Einfüllöffnung des Wärmetauschers bis zum vorgeschriebenen Stand einfüllen.
5. Den Kühlmittelstand im Ausgleichsbehälter (wenn vorhanden) prüfen. Bei Bedarf auffüllen.
6. Den Motor starten und einige Minuten im Leerlauf laufen lassen.
7. Den Motor stoppen, einige Minuten warten und dann den Kühlmittelstand in Wärmetauscher und Ausgleichsbehälter prüfen. Bei Bedarf auffüllen.

# Seewassersystem

## ⚠ **GEFAHR**

Wenn das Boot im Wasser ist, kann über unter der Wasserlinie liegende Bauteile Wasser in das Boot laufen. Vor Arbeiten am Seewassersystem das Seewassersventil (wenn vorhanden) schließen oder die Wasserausleitung anderweitig verhindern.

Das Seewassersystem dient der Kühlung des Kühlmittels und des Abgases.

Das Seewasser wird von der Seewasserpumpe des Motors in den Wärmetauscher gesaugt. Ausgeleitet wird das Seewasser über den Abgaskrümmmer, in welchem es mit den Abgasen vermischt wird.

Bei Motoren für Kielkühlung entfallen normalerweise die für ein Seewassersystem vorgesehenen Bauteile (wie Seewassersventil, Wärmetauscher usw.). Ein Kielkühlsystem leitet die Kühlmittelwärme über in den Rumpf integrierte Rohrleitungen ab.

**HINWEIS:** Bei Frostgefahr sollte das Seewassersystem geleert werden.

# Belüftungsventil

## ⚠ **GEFAHR**

Vor Arbeiten am Belüftungsventil das Seeventil schließen.

**HINWEIS:** Ein Belüftungsventil ist zwingend, wenn der Abgaskrümmmer bei voller Beladung unter der Wasserlinie oder weniger als 200 mm über der Wasserlinie steht. Ein Belüftungsventil ist zwingend an allen Segelbooten und wenn die Möglichkeit von Wassereintritt in den Motor besteht.

Das Belüftungsventil verhindert, dass Seewasser über das Seewasser-/Abgassystem in die Zylinder geholt wird.

Damit das Belüftungsventil funktionsstüchtig bleibt, soll es zwei Mal pro Saison und beim Auftreten von Leckage gereinigt werden.

## ⚠ **VORSICHT**

Wenn das Belüftungsventil versagt, dringt Wasser in den Motor.

Nehmen Sie die Inspektion und Reinigung regelmäßig nach Herstelleranleitung vor.

# Flügelrad der Seewasserpumpe

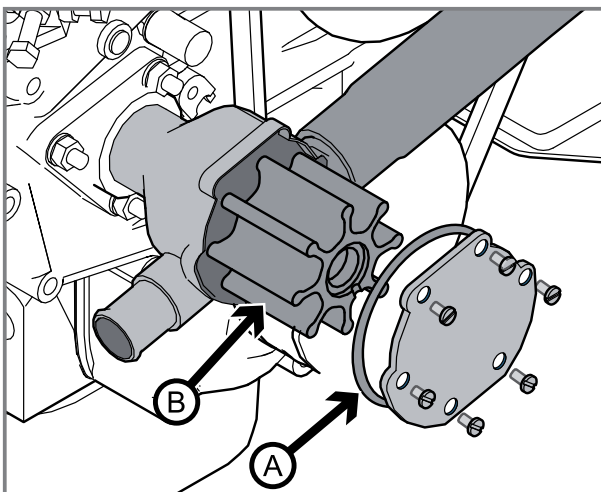
## ⚠ VORSICHT

Nachdem der Motor ohne Seewasserszufuhr gelaufen ist, das Flügelrad der Seewasserpumpe prüfen und bei Bedarf austauschen.

Das Flügelrad der Seewasserpumpe ist ein wichtiges Motorbauteil, das regelmäßig zusammen mit der Dichtung ausgewechselt werden muss. Ein verschlissenes Flügelrad kann reißen und Schäden am Kühlsystem anrichten. Ein Ersatzflügelrad für die Seewasserpumpe sollte immer an Bord sein.

**HINWEIS:** Die Lebensdauer des Flügelrads der Seewasserpumpe hängt teilweise von den Arbeitsbedingungen ab.

So bauen Sie das Flügelrad aus:



1. Den Motor stoppen, den Schlüssel aus der Tafel ziehen und das Seeventil schließen.
2. Den Deckel der Seewasserpumpe ausbauen.

3. Die Dichtung **A** ausbauen.

4. Die Position des Kunststoffflügelrads **B** in der Pumpe für den späteren Wiedereinbau in der ursprünglichen Position markieren.

5. Das Flügelrad mit dem Werkzeug vorsichtig abziehen.

6. Das Flügelrad untersuchen. Prüfen, ob Flügel beschädigt, rissig, gebrochen, deformiert sind oder fehlen. Ein schadhafte Flügelrad austauschen. Das Seewassersystem reinigen und entleeren, wenn Teile des Flügelrads weggebrochen sind.

7. Den Deckel und die Dichtung auf Korrosion und Schäden untersuchen. Schadhafte Teile austauschen.

8. Die Innenseite der Pumpe und den Deckel mit wasserbeständigem Gummifett schmieren.

9. Das Flügelrad einbauen. Wenn das alte Flügelrad wieder eingebaut wird, anhand der vorher angelegten Markierung die ursprüngliche Einbauposition wiederherstellen. Das Flügelrad in Motordrehrichtung drehen. Das Flügelrad mit wasserbeständigem Gummifett schmieren.

10. Die Dichtung und den Deckel an das Pumpengehäuse bauen.

11. Das Seeventil öffnen und die Dichtheit prüfen. Zum Vorfüllen des Seewassersystems bei Bedarf Wasser über den Seewasserfilter zuführen.

12. Den Motor starten und kontrollieren, dass der Einbau dicht ist.

## Seewasserfilter reinigen

Ein Seewasserfilter muss zwischen Seewassereintritt und Seewasserpumpe des Motors vorgesehen werden. Der Vorfilter kann je nach Boot unterschiedlich ausgeführt sein, da der Seewasserfilter eine nicht im Standardumfang des Motors enthaltene Sonderausrüstung ist. Die nachstehenden Ausführungen verstehen sich darum beispielhaft.

Prüfen Sie den Seewasserfilter häufiger als im Wartungsplan angegeben, wenn das Boot in sehr schmutzigem oder in schlammigem Gewässer unterwegs ist.

So reinigen Sie den Filter:

1. Den Motor stoppen, den Schlüssel aus der Tafel ziehen und das Seeventil schließen.
2. Den Zustand des Seewasserfilters prüfen. Wenn der Filter Schmutz eingelagert hat, den Deckel abschrauben und die Dichtplatte entnehmen.
3. Sämtliche Schadstoffe ausräumen. Den Filter und das Gehäuse mit frischem Wasser spülen und den Zustand der Dichtung prüfen.
4. Alle Teile wieder einbauen und das Seeventil öffnen. Den Motor starten und kontrollieren, dass der Einbau dicht ist.

**HINWEIS:** Wenn das Boot aus dem Wasser ist, kontrollieren, dass die Rumpfdurchführung nicht mit Schlamm oder Algen zugesetzt ist. .

## Seewassersystem – Entleeren

### **WARNUNG**

Die beschriebenen Arbeiten sollten vorzugsweise an Land durchgeführt werden. Wenn das Boot nicht aus dem Wasser geholt werden kann, das Seeventil schließen bzw. auf andere Art den Eintritt von Wasser verhindern.

1. Den Motor stoppen, den Schlüssel aus der Tafel ziehen und das Seeventil schließen.
2. Den Deckel der Seewasserpumpe ausbauen.
3. Den Deckel und die Dichtung des Seewasserfilters bauen.
4. Wenn ein Belüftungsventil vorhanden ist, zum Entleeren der Herstelleranweisung folgen.
5. Das Kühlsystem des Getriebeschmierkreislaufts (wenn vorhanden) entleeren.
6. Den Wassersammler und eventuelle sonstige mit dem Seewassersystem und der Abgasanlage in Verbindung stehende Einrichtungen leeren.



7. Alle Teile wieder richtig einbauen. Das Seeventil öffnen und die Dichtheit prüfen. Zum Vorfüllen des Seewassersystems bei Bedarf Wasser über den Seewasserfilter zuführen.

## Seewassersystem – Reinigen und schützen

Das Seewassersystem muss mit Frischwasser gespült werden, damit sich keine Ablagerungen und Salzkristalle im System festsetzen. In Vorbereitung der Einwinterung ist auch der Schutz vor Korrosion und Frost wichtig.

1. Den Motor stoppen und das Seeventil schließen.
2. Den Schlauch am Ausgang des Seewasserfilters trennen.
3. Das freie Schlauchende in einen Behälter mit frischem Wasser setzen. Sicherstellen, dass der Behälter groß genug ist, denn die Seewasserpumpe darf keinesfalls ohne Wasser laufen.
4. Sichergehen, dass sich in der Nähe von Motor, Propeller und Abgasaustritt keine Personen aufhalten. Den Hebel neutral stellen und den Motor starten.
5. Den Motor einige Minuten im Leerlauf laufen lassen. Bei Bedarf den Behälter mit frischem Wasser auffüllen.
6. Den Motor stoppen.

7. Den Behälter mit Motorkühlmittelmischung (sauberes Wasser und Frostschutzmittel im Verhältnis 50:50) befüllen.

8. Den Motor starten und im Leerlauf laufen lassen. Ausreichend Kühlmittel zur Befüllung des Seewassersystems mit Kühlmittel zuführen.

9. Den Motor stoppen, bevor der Behälter leer ist.

10. Den Schlauch wieder anschließen.

11. Das Kühlmittel entleeren, bevor der Motor das nächste Mal in Gebrauch genommen wird.

### **WARNUNG**

Vor dem nächsten Motorstart nach Lecks suchen.

### **VORSICHT**

Zur Vorbereitung des Motors auf die Einwinterung (oder längeren Nichtgebrauch) den Seewasserkreislauf komplett entleeren, wenn mit Frost zu rechnen ist.



# Elektrische Anlage

## **⚠ GEFAHR**

Vor Arbeiten an der elektrischen Anlage den Motor stoppen und an den Hauptschaltern die Stromzufuhr unterbrechen. Die Landstromversorgung aller Motornebenaggregate trennen.

## **⚠ VORSICHT**

Der Hauptschalter soll bei laufendem Motor eingeschaltet sein. Nie bei laufendem Motor das Kabel zwischen Lichtmaschine und Batterie trennen.

## Kabel und Stecker

Kontrollieren Sie, dass die elektrischen Kabel und Stecker trocken und in einwandfreiem Zustand sind.

Der Motorverlängerungskabelbaum soll vor Wassereinflüssen geschützt und so hoch wie möglich in der Luke geführt werden. Festgestellte Schäden erfordern den Austausch.

Die Kabelendverbindungen gut befestigen und mit geeignetem Fett schützen.

## Sicherungen

Sicherungen schützen die Motor-elektrik vor Überlastung.

Wenn die Bordelektrik nicht funktioniert, der Motor nicht startet oder die Instrumententafel ausfällt, kann eine ausgelöste Sicherung der Grund sein.

Gehen Sie der Ursache nach, bevor Sie die Sicherung zurücksetzen oder ersetzen. Halten Sie immer Ersatzsicherungen an Bord vorrätig. Eine durchgebrannte Sicherung darf nur durch eine Sicherung derselben Nennstromstärke ersetzt werden.

## **⚠ VORSICHT**

Wenn auch die Austausch-sicherung durchbrennt, liegt sehr wahrscheinlich ein ernsthaftes Problem in der Elektrik vor. Den Motor, außer im Notfall, nicht starten und eine Nanni-Werkstatt kontaktieren.

## Boote mit Metallrumpf

In Metallrümpfen verbaute Motoren arbeiten in der Regel mit einer zweipoligen elektrischen Anlage. Dieses System erlaubt die elektrische Trennung des Motors von der elektrischen Masse des Boots.

Ihr Nanni-Händler informiert Sie gern.



# Batterie

## ⚠ **GEFAHR**

\* Jeder Kontakt mit dem Batterieelektrolyten ist zu vermeiden. Die verdünnte Schwefelsäurelösung ätzt Löcher in Haut und Kleidung. Nach dem versehentlichen Kontakt die betroffenen Stellen sofort mit reichlich Wasser waschen und unverzüglich einen Arzt hinzuziehen.

\* Die Batteriekabel vor Schweißarbeiten am Metallrumpf trennen.

Studieren Sie vor Arbeiten an der Batterie die Herstelleranweisungen.

Batterien müssen sauber und trocken gehalten werden. Oxidation und der Niederschlag von Schmutz auf der Batterie und den Batteriepolen können, besonders bei feuchtem Wetter, einen Kurzschluss herbeiführen oder dazu führen, dass die Spannung abfällt oder sich die Batterie unkontrolliert entlädt. Reinigen Sie die Batteriepole mit einer Messingbürste.

Den Elektrolytstand mit destilliertem Wasser auffüllen. Für das Nachfüllen der Batterie gelten in erster Instanz die Anweisungen des Batterieherstellers. Wenn der Batterieelektrolytpegel nicht einstellbar ist (wie zum Beispiel bei einer wartungsfreien Batterie), setzen Sie die Batterie nicht ein, und laden die

Batterie auch nicht, wenn die Flüssigkeit unter der Untergrenze steht.

Zum Nachfüllen von Elektrolyt die Entlüftungstopfen lösen, aber nicht ausbauen.

## ⚠ **GEFAHR**

Darauf achten, dass der Batterieraum trocken und gut belüftet ist. Die Batterie bildet beim Laden hochexplosiven Wasserstoff.

Eine Austauschbatterie muss dieselben technischen Merkmale wie ihre Vorgängerin haben.

Für die meisten Motoren ist zum Laden von zwei getrennten Batterien mit nur einer Lichtmaschine ein Trennschalter erhältlich. Fragen Sie den Nanni-Händler.

Zur Überwinterung des Motors stellen Sie den Batterieelektrolytpegel ein und bewahren die Batterie an einem trockenen Ort auf. Das regelmäßige Nachladen der Batterie in kurzen Abständen verlängert die Lebensdauer der Batterie.

Beim **TRENNEN** von Startkabeln immer **ZUERST** das **MINUSKABEL** (–) und dann das **PLUSKABEL** (+) trennen.

Immer **ZUERST** das **PLUSKABEL** (+) mit dem **PLUSPOL** (+) der Batterie und dann den **MINUSPOL** (–) verbinden.

## Lichtmaschinenriemen

### ⚠ **GEFAHR**

Zur Wartung des Lichtmaschinenriemens den Motor stoppen und den Schlüssel abziehen.

**HINWEIS:** Es sollte immer ein Ersatzriemen an Bord sein.

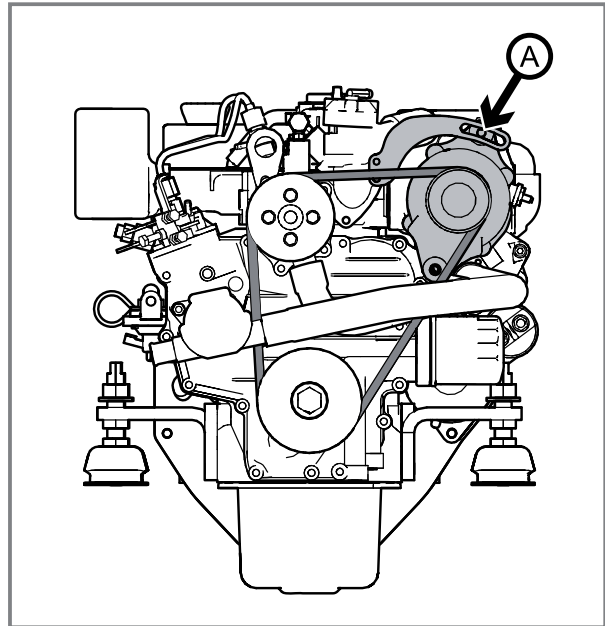
Der Lichtmaschinenriemen treibt sowohl die Kühlmittelpumpe als auch die Lichtmaschine an. Alternativ sind mehrere Riemen vorhanden.

Ein loser oder schadhafter Riemen führt dazu, dass der Motor überhitzt oder die Lichtmaschine ihre Lade-funktion nicht normal erfüllt. Ein zu straffer Riemen führt zu Schäden an den Pumpen- und Lichtmaschi-nenlagern.

Prüfen Sie mit dem Auge, ob er Riemen auffällig verschlissen oder ausgefranst ist usw., und wechseln Sie einen schadhaften Riemen aus. Prüfen Sie auch den Sitz des Rie-mens auf der Riemenscheibe.

Prüfen Sie die Riemenspannung. Die Auslenkung soll zwischen 8 und 10 mm betragen, wenn Sie mit der Hand zwischen zwei Riemenscheiben Druck auf den warmen Riemen geben.

So stellen Sie die Riemenspannung ein:



1. Den Motor stoppen und den Schlüssel aus der Tafel ziehen.
2. Die Befestigungsschraube **A** der Lichtmaschine lösen und die Lichtmaschine so weit nach außen versetzen, dass sich der Riemen wie oben beschrieben auslenken lässt.
3. Die Befestigungsschraube der Lichtmaschine anziehen.
4. Die Spannung nach einigen Betriebsstunden nachprüfen.

# Korrosionsschutz

Der Motor und alle im Boot Wasser und Feuchtigkeit ausgesetzten Teile sind potentiell dem Angriff von Korrosion ausgesetzt.

Man unterscheidet im Wesentlichen die galvanische Korrosion und die elektrolytische Korrosion, und beide können sich addieren, wenn sie auch beide von elektrischem Strom herrühren, der zwischen Metallteilen in einem Elektrolyt, wie zum Beispiel Wasser, fließt.

## Galvanische Korrosion

Die galvanische Korrosion ist eine elektrochemische Kontaktreaktion, bei der elektrischer Strom zwischen ungleichen Metallen im Wasser fließt. Der Strom korrodiert in der Hauptsache das Anodenmetall.

Verschiedene Faktoren, die zusammentreffen können oder nicht, können diesen Effekt verstärken:

- Hoher Salz- und/oder Mineralstoffgehalt des Wassers
- Hohe Wassertemperatur (>25 °C)
- Hohe Marschgeschwindigkeit oder starker Strom
- Wesentlich unterschiedliches Potential zwischen kathodischen und anodischen Flächen

Üblicherweise werden zum Schutz des Boots vor galvanischer Korrosion Anoden aus Magnesium oder Zink eingesetzt. Diese Anoden wer-

den aufgrund ihrer Beschaffenheit anstelle anderer metallischer Teile angegriffen.

Im ersten Jahr kontrollieren Sie den Verschleiß der Anoden alle 3 Monate. Kürzere Intervalle sind angesagt, wenn das Boot längere Zeit zusammen mit anderen Booten oder im Hafen anliegt. In dem Fall empfehlen sich eventuell zusätzliche Korrosionsschutzmaßnahmen.

Die Einsatzbedingungen und die Wasserbeschaffenheit können häufigere Kontrollen und/oder den Austausch der Anode in kürzeren Abständen erforderlich machen.

### **VORSICHT**

Die Anoden dürfen nicht überstrichen oder beschädigt werden. Um mehr als 50 % verbrauchte Anoden sind zu ersetzen.

## Elektrolytische Korrosion

Elektrolytische Korrosion wird durch extern erzeugte Gleichströme hervorgerufen, die unter Metallen in einem Elektrolyt – wie zum Beispiel Seewasser – fließen. Elektrolytische Korrosion geht insbesondere von Leckströmen, Landstromversorgungssystemen und anderen Fehlerströmen aus.

Wenngleich die Folgen gleich sind wie bei galvanischer Korrosion, greifen die Maßnahmen gegen galvanische Korrosion gegen elektrolytische Korrosion nur teilweise.

Zum Schutz des Motors vor elektrolytischer Korrosion werden folgende Maßnahmen empfohlen:

- Elektrische Kabel grundsätzlich vor Wasser und Dampf schützen. Alle Kabel abfangen und vor mechanischen Einwirkungen (z. B. Zugspannung) geschützt befestigen.
- Wenn das Boot an Landstrom liegt, darf die Schutz Erde nicht im Boot sein. Die Landstromversorgung soll selbst einen Fehlerstromschutz besitzen.
- Das Landstromversorgungsaggregat soll auf Boote und Schiffe ausgelegt sein.
- Schutzgeerdete Ausrüstung und der Motor samt Anoden sollen im Boot an eine gemeinsame Masse geschlossen sein.

### **GEFAHR**

Bei einem Motor mit zweipoliger elektrischer Anlage darf der Batterieminuspol nicht mit der gemeinsamen Masse des Boots zusammengeschlossen werden.

### **WARNUNG**

Die Sail Drive Modell SP60 ist elektrisch vom Motor getrennt. Schließen Sie niemals das Sail Drive SP60, die dem gemeinsamen Boden oder an einem Metall Artikel oder elektrische Geräte.

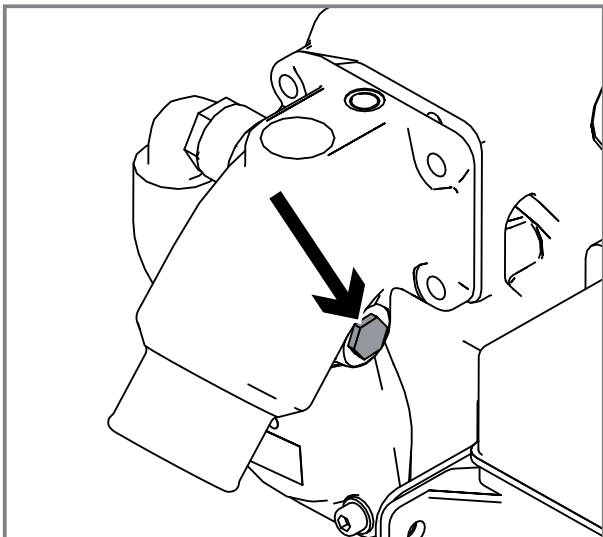
- Der Pluskreis (+) der Batterie muss einen Hauptschalter haben, mit dem die Stromzufuhr zu sämtlichen Verbrauchern zu unterbrechen ist, wenn das Boot nicht in Gebrauch ist.

### **WARNUNG**

Nicht die Spannungsversorgung eines batteriegespeisten Korrosionsschutzsystems ausschalten.

## Motoranode

Zum Schutz des Motors und des Seewassersystems vor Korrosion ist der Motor mit einer Zinkanode ausgestattet.



Die im Wartungsplan angegebenen Intervalle sind Empfehlungen. Je nach Einsatzbedingungen und Wasserbeschaffenheit können häufigere Kontrollen und/oder der Austausch der Anode in kürzeren Abständen erforderlich sein.

So bauen Sie die Anode aus:

### **⚠️ WARNUNG**

Die Arbeiten bei gestopptem und kaltem Motor durchführen.

1. Den Schlüssel aus der Tafel ziehen.
2. Das Seeventil schließen.
3. Das Seewassersystem entleeren.

4. Die Einheit aus Deckel, Dichtung und Anode ausbauen.

5. Die Anode zur Beurteilung des Erosionsgrads mit Glaspapier von Ablagerungen befreien. Eine weiche Stahlbürste eignet sich nicht, weil sie Ablagerungen stehen lassen kann, die die Korrosion wiederum begünstigen.

6. Eine Anode, die um mehr als 50 % verbraucht ist, zusammen mit der Dichtung erneuern.

Die neue Anode hat eine Länge von 16 mm.

### **⚠️ VORSICHT**

Die Anodenkappe wieder aufschrauben und das Seeventil wieder öffnen.



# Einwintern

Die Einwinterung (oder jede andere längerfristige Stilllegung des Motors) will gut vorbereitet sein.

Weiterführende Hinweise hierzu enthält das entsprechende Kapitel im Abschnitt **WARTUNG**. Wir empfehlen, diese Arbeiten von einer Nanni-Vertragswerkstatt durchführen zu lassen.

**HINWEIS:** Die vorzunehmenden Maßnahmen können von den klimatischen Gegebenheiten im Einsatzgebiet abhängig sein. Lassen Sie sich von einem Nanni-Händler beraten.

Längere Stillsetzungszeiten (> 12 Monate) erfordern besondere Maßnahmen. Beauftragen Sie mit diesen Aufgaben eine Nanni-Vertragswerkstatt.

## **VORSICHT**

Wenn Frostgefahr besteht, den Seewasserkreislauf komplett entleeren!

# Maßnahmen vor dem Einwintern oder längerer Stilllegung

Führen Sie vor den hier zur Einwinterung bzw. voraussichtlich längeren Stilllegung angeratenen Maßnahmen bereits auch die zum nächsten Termin fälligen Inspektionen und Wartungsarbeiten durch.

1. Das Motor- und das Getriebeöl entleeren und wechseln.
2. Den Motorölfilter wechseln.
3. Den Kraftstofffilter und den Vorfilter wechseln.
4. Den Motor auf normale Betriebstemperatur bringen.
5. Den Motor stoppen und das Boot aus dem Wasser holen.
6. Alle am Seewassersystem beteiligten Bauteile leeren, reinigen und schützen.
7. Das Flügelrad aus der Seewasserpumpe (wenn vorhanden) bauen und an einem kühlen und trockenen Ort aufbewahren. Anderen Personen auf geeignete Art anzeigen, dass das Flügelrad ausgebaut ist.
8. Den Füllstand und Zustand des Motorkühlmittels prüfen. Bei Bedarf auffüllen.
9. Wasser und Verunreinigungen aus dem Kraftstofftank leeren.
10. Den Kraftstofftank vollmachen.



11. Den Luftfilter ausbauen. Alle Einlassöffnungen mit sauberen Tüchern verschließen.
12. Den Motor reinigen. Lackschäden mit Nanni-Originallack ausbessern.

### **⚠ VORSICHT**

Bei den Arbeiten darf ein eingesetzter Hochdruckwasserstrahl keine Dichtungen, Schläuche, Durchführungstüllen usw. treffen.

13. Den Rumpf, die Luke und den Antrieb (soweit vorhanden) reinigen.
14. Alle Steuerzüge prüfen. Die Züge mit Fett und Rostschutz behandeln.
15. Die Batteriekabel trennen. Bei Bedarf den Elektrolytstand korrigieren. Die Batterie laden. Die Batterie an einem trockenen Ort aufbewahren.
16. Die Riemen lockern.
17. Den Motor mit einem wasserabweisenden Mittel einsprühen.
18. Zur Einlagerung den Propeller ausbauen. Den Gesamtzustand aller Komponenten des Antriebs beurteilen.

## **Motor wieder in Betrieb nehmen**

1. Den Motor außen reinigen und den Zustand des Motors beurteilen.
2. Das Motor- und das Getriebeöl entleeren und wechseln.
3. Die Ölfilter wechseln.

4. Das Kühlmittel aus dem Seewassersystem entleeren.
5. Den Zustand des Flügelrads in der Seewasserpumpe prüfen. Bei Bedarf ein neues Flügelrad einbauen.
6. Mit Tüchern oder Klebeband verschlossene Öffnungen freilegen. Den Luftfilter einbauen.
7. Alle Stopfen und Ablaufhähne anziehen bzw. schließen.
8. Den Zustand der Schläuche und Schellen prüfen.
9. Den Füllstand und Zustand des Motorkühlmittels prüfen. Bei Bedarf auffüllen.
10. Voll geladene Batterien verbinden.
11. Die Anoden prüfen.
12. Den Propeller einbauen.
13. Den Zustand und die Funktion der Steuerzüge prüfen.
14. Die Riemen prüfen. Die Spannung einstellen.
15. Die Kraftstoffanlage entlüften.
16. Nach der Wasserung des Boots:
17. Das Seeventil öffnen und das Seewassersystem (wenn vorhanden) vorfluten.
18. Den Motor starten. Auf Undichtigkeiten und normale Funktion prüfen. ■



Wenn sich der Motor nicht normal verhält, ziehen Sie bitte die Tabellen unten hinzu. Sollte dadurch keine Abhilfe geschaffen werden können, wenden Sie sich an eine Nanni-Vertragswerkstatt.

**HINWEIS:** Bestimmte Bauteile sind am bestellten Motor eventuell nicht vorhanden. Die Liste ist nicht erschöpfend und liefert in erster Linie Anhaltspunkte für den Notfall

MOTOR STARTET NICHT	MÖGLICHE URSACHEN
Motor startet, aber geht wieder aus	1, 2, 3, 4, 5, 6, 7, 8, 9, 10, 11, 13
Motor hat Startschwierigkeiten	1, 2, 3, 4, 5
Anlassermotor dreht nicht oder langsam	1, 2, 3, 4, 5, 6, 8, 9
Anlassermotor dreht, aber Motor springt nicht an	8, 9
Motor erreicht bei Vollgas nicht die Nenn-drehzahl	1, 2, 3, 4, 5, 6, 7
Motor läuft unruhig	2, 3, 4, 5, 6, 7, 12, 14, 15, 16, 17, 26, 28
Starke Motorvibrationen	1, 2, 3, 4, 5, 6, 7, 14, 15, 16, 17, 18, 19, 20, 24, 28
Schwarzer Abgasrauch	16, 27
Weißer Abgasrauch	4, 5, 14, 15, 16, 19, 20, 28
Hoher Kraftstoffverbrauch	4, 5, 23, 25
Motor überhitzt / hohe Kühlmitteltemperatur	4, 7, 14, 15, 16, 19, 20, 22, 28
Steuerhebel schwergängig	14, 15, 16, 18, 19, 20, 21, 22, 28
Getriebe schaltet nicht zwischen vorwärts und rückwärts	12, 14, 15, 16, 17, 26
Batterieladewarnleuchte eingeschaltet	9, 11, 12, 16, 17, 26
Battery charge warning lamp comes on	8, 9, 11, 18

Die Zahlen beziehen sich auf die auf der nächsten Seite beschriebenen möglichen Ursachen. \* Wenden Sie sich an die Nanni-Vertragswerkstatt.

1. Kraftstoffmangel
2. Luft in der Kraftstoffanlage
3. Kraftstofffilter verschmutzt oder verstopft
4. Falscher Kraftstoff
5. Kraftstoff mit Wasser oder anderen Unreinheiten versetzt
6. Falsches Ventilspiel\*
7. Niedrige Kompression\*
8. Batterie entladen oder defekt
9. Kabelkontakte nicht in Ordnung
10. Anlasser oder Anlasserschalter defekt\*
11. Sicherung ausgelöst oder Hauptschalter offen
12. Getriebe beschädigt\*
13. Steuerhebel nicht neutral oder Stoppsicherung ausgezogen
14. Bordbeladung zu hoch
15. Unterwasserbewuchs an Rumpf, Antrieb oder Propeller
16. Propeller defekt oder falscher Propeller\*
17. Steuerhebel oder Steuerzüge nicht in Ordnung
18. Riemen lose oder beschädigt
19. Falsches Kühlmittel, zu wenig Kühlmittel, Kühlmittelverlust
20. Fehler im Kühlsystem\*
21. Thermostat defekt\*
22. Seeventil geschlossen oder Seewasserfilter verstopft
23. Schmierölverbrennung, erhöhter Ölverbrauch\*
24. Motorölstand zu niedrig
25. Motorölstand zu hoch
26. Getriebeölstand zu niedrig
27. Motorlagerung nicht in Ordnung\*
28. Unzureichende Luftzufuhr\*



MODELL	N2.10	N2.14	N3.21
MOTORKENNDATEN			
Bauart	4-Takt-Dieselmotor		
Max. Leistung – kW (PS)*	7.36 - 10	10.3 - 14	15.4 - 21
Zylinder / Anordnung	2 in Reihe	2 in Reihe	3 in Reihe
Hubraum (cm <sup>3</sup> )	479	479	719
Bohrung x Hub (mm)	67 - 68		
Lufteinlass	Atmosphärisch		
Verdichtungsverhältnis	23.5:1		
Leerlaufdrehzahl – ausgekuppelt (min-1)*	1050	1050	1050
Motornenndrehzahl bei max. Leistung (min-1)*	3000	3600	3600
Höchstdrehzahl bei Vollgas (min-1)*	3220	3820	3820
Empfohlene Marschdrehzahl (min-1)	2400 ~ 2700	2880 ~ 3240	2880 ~ 3240
Gewicht ohne Getriebe (kg)	78	83	97
Ventilspiel (bei kaltem Motor) – Einlass (mm)	0,145 ~ 0,185		
Ventilspiel (bei kaltem Motor) – Auslass (mm)	0,145 ~ 0,185		
Drehrichtung vom Schwungrad aus gesehen	Gegenuhrzeigersinn		

MODELL	N2.10	N2.14	N3.21
<b>ELEKTRISCHE ANLAGE</b>			
Empfohlene Startbatteriekapazität (Ah)	35 ~ 50		
Anlasser (kW)	0.8		1.0
Standardlichtmaschine (V-A)	12 - 40	12 - 70	12 - 70
<b>KRAFTSTOFFANLAGE</b>			
Einspritzung	Indirekt (E-TVCS)		
Einspritzzeitpunkt vor OT (°)	21		
Kraftstoffeinspritzdruck (bar)	137.3		
Kraftstoffverbrauch (g/kWh) bei Vollgas	265	285	285
Kraftstoffanforderungen	EN 590 / ASTM D975 No.2-D Keine Kraftstoffe mit Schwefelgehalt höher als 1,0 %		
<b>SCHMIERANLAGE</b>			
Ölqualität	API CF mini		
Ölviskosität (umgebungstemperaturbestimmt)	SAE 15W40		
Motorölmenge – Motor nicht geneigt (Liter)	2.1	2.1	3.3
Mindestöldruck bei Nenndrehzahl (bar)	3.5	3.5	3.5
<b>KÜHLSYSTEM</b>			
Kühlmittelmenge – Motor nicht geneigt (Liter)	2.7	2.7	4
Kühlmittelpumpendurchsatz bei Nenndrehzahl (l/min)	23	28.8	35.5
Seewasserpumpendurchsatz bei Nenndrehzahl (l/min)	15	18	18

## Note

---



***NANNI INDUSTRIES SAS***

11, Avenue Mariotte-Zone Industrielle

33260 La Teste France

Tel: + 33 (0)5 56 22 30 60

Fax: +33 (0)5 56 22 30 79

Email: [contact@nannidiesel.com](mailto:contact@nannidiesel.com)

**[www.nannidiesel.com](http://www.nannidiesel.com)**

012014.IndB

# Nanni-merimoottorit

## Käyttöohje

Moottorit

**N2.10**

**N2.14**

**N3.21**





## **English**

You can download a copy of this manual in English on [nannidiesel.com](http://nannidiesel.com).

## **Français**

Vous pouvez télécharger ce manuel en Français sur notre site Web à l'adresse [www.nannidiesel.com](http://www.nannidiesel.com).

## **Italiano**

Scarica una copia del manuale in lingua Italiano sul [nannidiesel.com](http://nannidiesel.com).

## **Deutsch**

Sie können eine Kopie dieses Handbuchs in Deutsch Sprache auf [nannidiesel.com](http://nannidiesel.com).

## **Suomi**

Voit ladata suomenkielisen käyttöohjeen osoitteessa [www.nannidiesel.com](http://www.nannidiesel.com).

# **1** SISÄLTÖ

<b>Johdanto</b> .....	<b>1</b>	<b>Huolto</b> .....	<b>32</b>
Tietoja tästä käyttöohjeesta .....	2	Huoltoajat .....	33
<b>Turvallisuus</b> .....	<b>3</b>	Yleistarkastus .....	35
Korjaussarja .....	3	Polttoainejärjestelmä .....	37
Varoitussymbolit .....	3	Voitelujärjestelmä .....	41
Turvallisuuskuvakkeet .....	4	Jäähdytysjärjestelmä .....	43
Varotoimet .....	5	Raakavesijärjestelmä .....	47
<b>Yleiskatsaus</b> .....	<b>9</b>	Sähköjärjestelmä .....	51
Tietoja moottorista .....	9	Akku .....	52
Takuu .....	13	Korroosiosuoja .....	54
Potkurin valinta .....	13	Pitkäaikainen varastointi .....	57
Aluksen käyttäytyminen .....	14	<b>Vianmääritys</b> .....	<b>59</b>
Moottorin pääosat .....	15	<b>Tekniset tiedot</b> .....	<b>61</b>
<b>Mittaristo</b> .....	<b>19</b>		
Vakiopaneeli .....	19		
Mittalaitteisto .....	20		
<b>Käyttö</b> .....	<b>25</b>		
Ennen käynnistystä .....	25		
Moottorin käynnistys .....	26		
Käytön aikana .....	28		
Moottorin sammutus .....	30		

Kiitos Nanni-tuotteen valinnasta!

Ota yhteyttä valtuutettuun Nanni-jälleenmyyjään, jos tuotteesi tarvitsee huoltoa. Luettelo jälleenmyyjistä löytyy verkkosivustolta:

***[www.nannidiesel.com](http://www.nannidiesel.com)***

Nanni-moottoreiden valmistuksessa on hyödynnetty useiden vuosien kokemusta merimoottoreiden ja avomerillä käytettävien laitteiden kehittämisestä. Moottorit on valmistettu laadukkaimmista materiaaleista tarkkojen määritysten ja tiukkojen tuotantomenetelmien mukaisesti.

Varmista ennen moottorin käyttöä, että tämän käyttöohjeen ohjeita voidaan soveltaa hankkimaasi moottoriin. Jos et ole varma moottorin mallista, tarkasta moottorin tiedot tunnistekilvestä. Jos käytössäsi ei ole oikeaa käyttöohjetta, ota yhteyttä valtuutettuun Nanni-jälleenmyyjään.

Moottori on ehdottomasti asennettava alukseen oikein, jotta aluksella liikkuminen on turvallista ja ympäristöystävällistä. Asennus on suoritettava valtuutetussa Nanni-korjaamossa asennusohjeiden mukaisesti.

# Tietoja tästä käyttöohjeesta

Tämä käyttöohje sisältää tärkeitä tietoja, vinkkejä, ehdotuksia ja varoituksia. Lue käyttöohje huolellisesti, ja tutustu moottoriin toimitaan ennen sen käyttöä.

Oman turvallisuutesi ja moottorin pitkän käyttöikä takaamiseksi noudata käyttöohjeessa ja kaikissa aluksen mukana toimitetuissa asiakirjoissa olevia ohjeita ja varoituksia. Ohjeiden ja varoitusten noudattamatta jättämisestä voi aiheutua moottorivaurioita tai henkilövahinkoja itsellesi tai muille.

Varmista, että käyttöohje on aina aluksessa. Sen on oltava aina moottoria käyttävän henkilön käytettävissä esimerkiksi alusta vuokrattaessa, lainattaessa tai myytävässä. Käyttöohjeessa on käytetty seuraavia symboleita lukemisen helpottamiseksi:

→ Osoittaa, että teksti jatkuu seuraavalla sivulla.

■ Osoittaa, että kappale päättyy.

## Sisältö ja päivitykset

Kaikki tässä käyttöohjeessa olevat tiedot ja määrittelyt perustuvat käyttöohjeen julkaisuhetkellä sovellettaviin teknisiin tietoihin. Nanni voi muuttaa ja päivittää tietoja siitä ilmoittamatta.

Kuvat ovat tarkoitettu yleisohjeiksi, ja ne voivat poiketa joidenkin yksityiskohtien osalta moottorin laitteistosta. Jotkut käyttöohjeen osista eivät koske kaikkia moottoreita. Tällöin tekstissä kerrotaan, mihin moottoreihin kyseisiä ohjeita sovelletaan.

Jos jotakin laitteiston yksityiskohtia ei ole esitetty tai kuvattu tässä käyttöohjeessa tai jos sinulla on jotakin kysyttävää laitteiston käytöstä, lisätietoja laitteiston oikeanlaisesta huollosta ja käytöstä saa valtuutetulta Nanni-jälleenmyyjältä.



Lue tämä kappale huolellisesti oman turvallisuutesi takaamiseksi. Useimmat onnettomuudet johtuvat siitä, ettei turvallisuusmääräyksiä ole noudatettu. Huomioi mahdolliset moottorin käsittelystä aiheutuvat vaaratilanteet ja tee tarvittavat varotoimet itsesi, muiden henkilöiden ja laitteiston suojaamiseksi.

Lue kaikki aluksen mukana toimitetut tiedot ennen moottorin ensimmäistä käynnistyskertaa.

Varmista aina, että alus ja kaikki laitteistot on huollettu niiden käyttöohjeiden mukaisesti. Pidä kaikkia pakollisia ja tarvittavia turvavarusteita aluksessa ja varmista, että ne ovat käyttökelpoisia.

## Korjaussarja

Korjaussarjan voi tilata miltä tahansa valtuutetulta Nanni-jälleenmyyjältä.

Moottorin korjaussarjaan kuuluu useita osia, joiden avulla voidaan suorittaa yksinkertaisia korjaustöitä vikatapauksissa.

Pidä aina koko korjaussarja sekä tarvittavat työkalut aluksessa korjaustöiden suorittamista varten.

## Varoitussymbolit

Varotoimia koskevat yleiset määräykset on esitetty tässä käyttöohjeessa. Ne on merkitty seuraavasti:

### **VAARA**

Osoittaa vaarallisen tilanteen, josta voi aiheutua hengenvaara tai vakavia vammoja, jos sitä ei vältetä.

### **VAROITUS**

Osoittaa vaarallisen tilanteen, josta voi aiheutua hengenvaara tai vakavia vammoja, jos sitä ei vältetä.

### **HUOMAUTUS**

Osoittaa vaarallisen tilanteen, josta voi aiheutua vähäisiä tai kohtalaisia vammoja tai aineellisia vahinkoja, jos sitä ei vältetä.

**HUOMAA:** Osoittaa tärkeitä tietoja, joiden avulla laitteiston käsittely ja aineellisten vahinkojen välttäminen on helpompaa.

# Turvallisuusku- vakkeet

Moottoriin on kiinnitetty useita tarroja. Niiden avulla on helppo paikantaa yksittäiset osat nopeasti ja välttää mahdolliset vaaratilanteet moottoria käsiteltäessä.

Varmista, että tarrat ovat aina näkyvissä, ja vaihda ne tarvittaessa uusiin.



Viittaa tärkeisiin tietoihin ja ohjeisiin, joita on noudatettava ennen moottorin käsittelyä.



Osoittaa mahdolliset sähköjärjestelmää koskevat vaaratilanteet.



Kuvake osoittaa tulipalovaaran.



Osoittaa kuumat osat, jotka voivat aiheuttaa huomattavia palovammoja.



Osoittaa paineistettuja nesteitä sisältävän alueen.



Edellyttää, ettei avotulta tai kipinöitä muodosteta kohteen lähellä.



Osoittaa vaaralliset pyörivät osat.



Osoittaa ilmanpoistoaukot (ilmavuodot).



Osoittaa jäähdytysnestemäärän tarkastuskohdan.



Osoittaa moottoriöljymäärän tarkastuskohdan.



Osoittaa jäähdytysnesteen poistoaukon.



Osoittaa öljyn poistoaukon.



# Varotoimet

## Pakokaasu

Pakokaasu sisältää hiilimonoksidia. Se on erittäin haitallinen väritön ja hajuton kaasu, joka voi aiheuttaa myrkytyksen. Tämä myrkytystila voi johtaa tajuttomuuteen ja kuolemaan. Hiilimonoksidimyrkytyksen ensimmäiset oireet ovat:

- Huimaus
- Pahoinvointi
- Päänsärky
- Ohimoiden jomotus
- Oksentelu
- Väsymys ja nukahtaminen
- Lihasjännitykset

Jos sinä tai joku muu moottorin lähellä oleva henkilö saa jotakin näistä oireista, poistu moottorin käyttöalueelta ja siirry paikkaan, jossa on raitista ilmaa. Jos oireet jatkuvat, ota yhteyttä lääkäriin ja tarkastuta moottori.

Varmista, että pakokaasulaitteisto poistaa moottorin tuottaman pakokaasun oikein. Tarkasta säännöllisesti, ettei pakokaasulaitteistossa ole vuotoja ja että pakoputki on hyvässä kunnossa.

## Palovammat

Älä koskaan kosketa moottorin kuumia osia! Käynnissä oleva moottori on erittäin kuuma: pakokaasujärjestelmä, turbokompressori (jos

varusteena), käynnistin, öljypohja, öljy sekä letkuissa ja putkissa oleva jäähdytysneste ovat erittäin kuumia ja voivat aiheuttaa palovammoja.

Kovalla paineella ulos tulevat nesteet voivat aiheuttaa vakavia vammoja. Poista järjestelmän paine aina ennen suojusten irrottamista. Älä koskaan avaa öljyjärjestelmän tai jäähdytysnestejärjestelmän korkeja, kun moottori on käynnissä ja/ tai kuuma. Älä käynnistä tai käytä moottoria, kun öljyn tai jäähdytysnesteiden täyttöaukkojen korkit ovat auki, sillä muutoin öljyä tai jäähdytysnestettä voi ruiskuta ulos.

Jos jotakin näistä nesteistä pääsee kosketuksiin kehon kanssa, hakeudu välittömästi lääkäriin. Jos moottori kuumenee liikaa, sammuta moottori ja irrota sen liitäntä ja odota ennen vian tarkastamista, että moottori jäähtynyt.

## Tulipalo

Älä tupakoi moottorin lähellä ja pidä syttymislähteet (liekit ja kipinät) sekä muut mahdollisesti syttyvät kaasut ja nesteet etäällä moottorista. Älä käytä moottoria ilman ilmasuodatinta.

Älä käytä moottoria alueilla, joissa varastoidaan syttyviä tai räjähtäviä aineita tai joissa on kaasua. Varmista, ettei moottoritilassa ole syttyviä nesteitä.

Poista välittömästi kaikki nesteroiskeet ja pidä moottoritila puhtaana ja



käsiksi päästävässä tulipalovaaran välttämiseksi. Ole varovainen, sillä polttoaine voi aiheuttaa palovammoja. Vaurioituneet putket voivat aiheuttaa tulipalon.

## Räjähdyks

Polttoainehöyryn aiheuttamat räjähdykset voivat aiheuttaa vakavia vammoja! Noudata tarkasti turvallisuusmääräyksiä polttoainetta tankatessasi. Avaa ja tuuleta moottorin varastointitila tankkaamisen jälkeen. Tarkasta ennen tuulettimen (jos varusteena) käynnistämistä, ettei tilassa ole polttoainehöyryjä tai -vuotoja. Käynnistä tuuletin 5 minuutin ajaksi ennen moottorin käynnistämistä.

Kaikki polttoainehöyryt ovat syttyviä ja räjähtäviä. Ole varovainen polttoainetta käsitellessäsi ja varastoidessasi. Varastoi polttoaine paikkaan, jossa on hyvä ilmanvaihto ja jossa polttoaine on etäällä syttymislähteistä (kipinät ja liekit) ja lasten ulottumattomissa.

Sammuta moottori ennen polttoaineen tankkausta tai voiteluaineen lisäämistä. Älä tupakoi moottorin lähellä ja pidä syttymislähteet (liekit) etäällä moottorista, kun tankkaat polttoainetta ja/tai lisäät voiteluainetta. Käytä käsineitä mahdollisia vuotoja tarkastaessasi. Älä muuta tai vaurioita polttoainejärjestelmää. Pidä polttoainejärjestelmä suljettuna aina, kun et tee sille huolto- tai korjaustöitä. Varmista, että käytettävissä on aina sopiva ja toimiva palosammutin.

## Vaarallinen jännite / sähköisku

Hengenvaarallisen sähköiskun vaara on aina olemassa, kun järjestelmässä on sähköä. Vaarallinen jännite voi aiheuttaa vakavia vammoja ja hengenvaaran. Käytä moottoria vain, kun kaikki suojukset ja kotelot ovat paikoillaan.

Avaa kaikkien virtalähteiden pääkatkaisimet ennen laitteiston käyttöä. Konfiguroi asennus siten, että moottori, siirtokytkin sekä vastaavat laitteistot ja virtapiirit maadoitetaan sähköisesti, jotta ne vastaavat sovellettavia määräyksiä ja standardeja.

Älä koskaan kytke sähköjohtoja tai -laitteita, kun seisot vedessä tai märällä alustalla, sillä se kasvattaa hengenvaarallisen sähköiskun vaaraa. Napojen jännite voi aiheuttaa hengenvaaran.

Oikosulut voivat aiheuttaa henkilövahinkoja ja/tai laitevaurioita. Riisu kaikki korut ennen laitteiston huoltoa.

Vaarallinen paluujännite voi aiheuttaa vakavia vammoja ja hengenvaaran. Kytke moottori rakennuksen/venesataman sähköjärjestelmään vain siihen sopivan laitteen avulla. Virtapiireille tehtävät työt saa suorittaa vain ammattitaitoinen teknikko.

Rannan virransyöttölaitteistolle tehtävät työt saa suorittaa vain korkea-

jänniteasennusten suorittamiseen valtuutettu sähköasentaja.

Kiinnitä metallirunkoisissa aluksissa erityistä huomiota etenkin henkilön-suojaukseen sähköiskujen välttämiseksi ja galvaanisen ja elektrolyyttisen korroosion välttämiseen.

## **Akkuhappo**

Akuissa oleva happo voi aiheuttaa vakavia vammoja ja jopa hengenvaaran!

Käytä suojakäsineitä ja suojalaseja akkua käsitellessäsi. Akut sisältävät erittäin syövyttävää rikkihappoa.

Happoa voi roiskua akuista akkujen käsittelyn yhteydessä. Jos happoa joutuu iholle, huuhtele iho huolellisesti puhtaalla vedellä ja ota yhteyttä lääkäriin.

## **Akun räjähdysvaara**

Akun räjähtäminen voi aiheuttaa vakavia vammoja ja jopa hengenvaaran! Varmista, että akkujen varastointitilassa on riittävä ilmanvaihto.

Älä tupakoi akkujen lähellä ja pidä akut etäällä syttymislähteistä (liekit ja kipinät). Niistä muodostuu vetyä, joka voi syttyä palamaan tai räjähtää joutuessaan kosketuksiin valokaaren tai liekin kanssa.

Sammuta kaikki akkujen lähellä olevat sähkölaitteet, kun suoritat akkujen huolto- tai korjaustöitä.

Tuuleta akkujen varastointitila huolellisesti. Älä kosketa akkujen napoja metallityökaluilla, sillä siitä voi syntyä kipinöitä, jotka voivat aiheuttaa räjähdyksen. Riisu sormukset, rannekorut ja kaulaketjut ennen akkujen käsittelyä.

## **Pyörivät osat**

Pyörivät osat voivat olla erittäin vaarallisia, ja ne voivat aiheuttaa vakavia vammoja ja jopa hengenvaaran!

Älä tee moottorille mitään huolto- tai korjaustöitä sen ollessa käynnissä. Jos moottorille on välttämättömyyksiä tehdä huolto- tai korjaustöitä sen ollessa käynnissä, älä kosketa mitään kuumia tai pyöriviä osia.

Löysät vaatteet, hiukset ja roikkuvat esineet voivat joutua moottorin sisään ja/tai jäädä jumiin moottoriin, mistä voi aiheutua vakavia vammoja tai aineellisia vahinkoja.

Älä käytä rannekoruja, kaulaketjuja tai sormuksia moottorille tehtävien töiden aikana. Tarkasta, että pultit ja mutterit ovat kunnolla kiinni ja suojausmekanismit ovat paikoillaan. Älä tarkasta vaihtovirtageneraattorin hihnaa moottorin käydessä.

## Tahaton käynnistäminen

Tahaton käynnistäminen voi aiheuttaa vakavia vammoja ja jopa hengenvaaran!

Irrota akku ennen moottorin huolto- tai korjaustöiden suorittamista. Varmista ennen moottorin käynnistämistä, ettei kukaan ole moottorin vieressä tai tekemässä moottorille huolto- tai korjaustöitä. Pyörivä potkuri voi aiheuttaa vakavia vammoja tai hengenvaaran. Varmista ennen moottorin käynnistämistä, että kaikki suojaimekanismit ovat paikoillaan.

## Kemialliset tuotteet

Moottorissa käytettävät eri nesteet ovat terveydelle haitallisia. Luo huolellisesti tuotteiden pakkauksiin merkityt ohjeet ja varmista aina, että varastointipaikan ilmanvaihto on riittävä.

Noudata öljyn, polttoaineen, jäähdytysnesteen, suodattimien ja akkujen hävittämistä koskevia ympäristömääräyksiä. Älä aseta käsiä putkia vasten vuotokohtien selvittämiseksi.

## Veden pääsy moottoriin

Moottori on suojattava siten, ettei sen sisään pääse vettä. Moottorin sisään päässyt vesi rikkoo moottorin. Takuu ei kata tällaista vauriota.

Moottoriin voi päästä vettä pakokaasujärjestelmän täyttämisen jälkeen.

Moottori on ehdottomasti asennettava alukseen oikein, jotta aluksella liikkuminen on turvallista ja ympäristöystävällistä. Jotta veden pääsy moottoriin voidaan estää, ensimmäinen toimenpide on asentaa moottori oikein.

Veden pääsyn estämisen kannalta on lisäksi tärkeää käyttää moottoria oikein. Käyttäjä/omistaja on vastuussa moottorin oikeanlaisesta käytöstä ja kaikkien tarvittavien varotoimien suorittamisesta sen estämiseksi, ettei moottoriin pääse vettä.

Jos alus kaatuu tai moottori täyttyy vedellä, älä käynnistä moottoria muutoin, kun äärimmäisessä hätätilanteessa, vaan ota yhteyttä valtuutettuun Nanni-jälleenmyyjään.

## Tietoja moottorista

### Moottorin tunnistaminen

Moottorissa ja vaihteistossa on tunnistekilpi, johon on merkitty useita tietoja.

Pidä kilvet luettavissa ja hyvässä kunnossa. Merkitse muistiin ja säilytä tallessa moottorin ja vaihteiston sarjanumero ja nimi. Ilmoita nämä numerot aina, kun tilaat huolto- tai varaosia.

Moottorin tunnistekilpeen on merkitty seuraavat tiedot:



- **TYP** osoittaa moottorin kaupallisen nimen.
- **NR** osoittaa moottorin sarjanumeron.
- **CODE** osoittaa moottorin useat määritelmät.

### Käyttöönotto

Käytä moottoria varoen ensimmäiset 50 käyttötuntia.

Älä käytä moottoria täydellä teholla sen ollessa kylmä. Moottoria saa käyttää täydellä kuormituksella vain lyhyitä jaksoja. Älä käytä moottoria jatkuvalla kierrosluvulla pitkiä aikoja käyttöönottovaiheen aikana.

Tarkasta öljy- ja jäähdytysnestemäärät usein käyttöönottovaiheen aikana. Öljynkulutus voi olla suurempi käyttöönottovaiheen aikana.

### Moottorin asennus

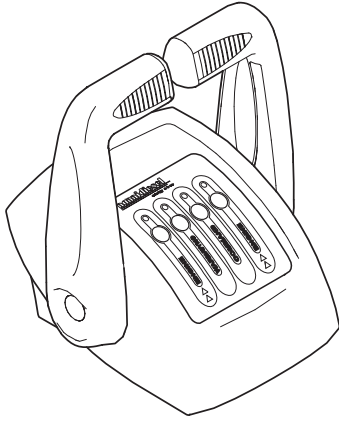
Asennus on suoritettava valtuutetussa Nanni-korjaamossa asennusohjeiden mukaisesti. Moottori on ehdottomasti asennettava oikein, jotta aluksella liikkuminen on turvallista ja ympäristöystävällistä.

Näin varmistetaan myös mahdollisimman pitkä käyttöikä normaaleissa käyttöolosuhteissa.

Takuu ei kata moottorivaurioita, jotka aiheutuvat asennusohjeiden noudattamatta jättämisestä.

## Kauko-ohjain

Kauko-ohjain on lisävaruste eikä se kuulu moottorin toimitussisältöön. Alukseen asennettu kauko-ohjain voi poiketa tässä asiakirjassa esitetyistä kauko-ohjaimista.



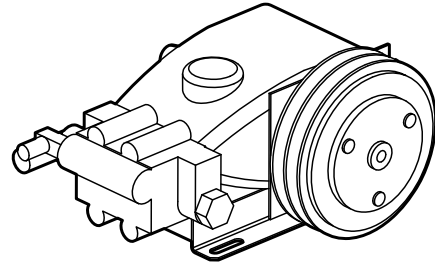
Useimmissa aluksissa sekä moottorin kierroslukua että vaihteen vaihtamista (eteen/taakse) ohjataan ohjausvivulla. Joissakin aluksissa voi kuitenkin olla varusteena erillinen vaihteenvalitsin.

Aluksessa voi olla myös vapaa-asennon suojakytkin, joka estää moottorin käynnistymisen, ellei vipu on vapaa-asennossa.

Ota yhteyttä aluksen rakentajaan tai Nanni-jälleenmyyjään, jos sinulla on jotakin kysyttävää kauko-ohjaimen käytöstä.

## Voimanotto

Joissakin moottoreissa voi olla voimanottojärjestelmä. Järjestelmä syöttää virtaa lisälaitteisiin, kuten pilssipumppuun ja vesikoneeseen.



**HUOMAA:** Kaikki moottorista voimanottoon otettu mekaaninen voima vähentää potkuriin välitettävää voimaa. Voimanoton käyttöön on aina saatava Nanni Industries S.A.S Francen tutkimus- ja kehitys-osaston hyväksyntä. Lisätietoja saa Nanni-jälleenmyyjältä.

## Uisteluventtiili

Uisteluventtiilijärjestelmä laskee potkurin pyörimisnopeutta moottorin käydessä joutokäynnillä. Aluksen nopeus laskee tällöin 30 - 70 %.

### **⚠ HUOMAUTUS**

Uisteluventtiilijärjestelmää ei saa käyttää aluksen siirtelyyn. Sitä ei saa myöskään käyttää moottorin kierrosluvun ollessa yli 1 200 rpm.

## Käyttö kylmässä ilmastossa

Nanni-moottorit on suunniteltu siten, että ne toimivat tehokkaasti kylmässä ilmastossa.

Jotta moottorin käynnistäminen ja käyttö on tehokasta kylmässä ilmastossa, moottoria on kuitenkin käsiteltävä erityisen varovasti. Lisätietoja moottorin käytöstä kylmässä ilmastossa ja kylmään ilmastoon tarkoitettuista lisätarvikkeista saa Nanni-jälleenmyyjältä.

Talvilaatuinen polttoaine suojaa ruiskutusjärjestelmää, kun lämpötila on alle 5 °C (40 °F). Talvilaatuinen polttoaine sopii parhaiten kylmään ilmastoon, sillä sen samenenemis- ja jähmettymispisteet ovat alhaisempia.

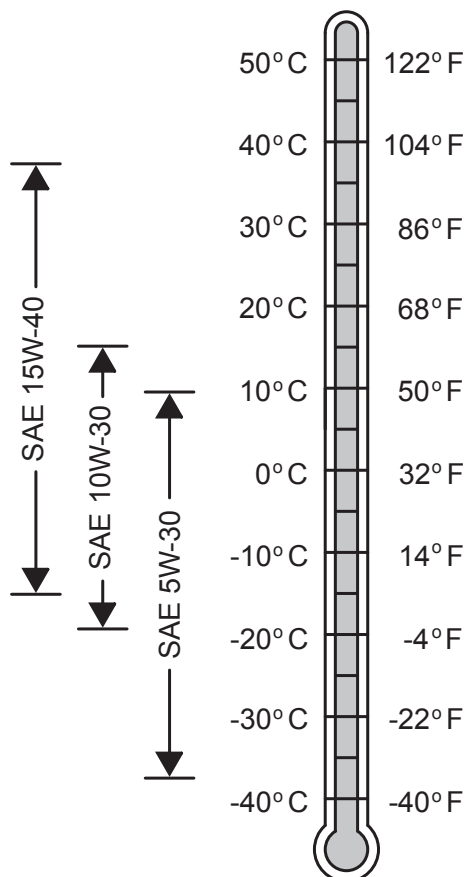
Talvilaatuisen polttoaineen käyttö voi kuitenkin heikentää tehoa ja polttoaineen tehokkuutta, koska talvilaatuisen polttoaineen BTU-arvo (lämpösisältö) on pienempi. Tarkasta käytettävän polttoaineen laatu ennen vianmääritystä tehon heikentyessä kylmässä ilmastossa.

Polttoaineen laadun ja rikki- ja pitoisuuden on aina vastattava kaikkia moottorin käyttöalueella voimassa olevia päästömääräyksiä.

## Öljyn viskositeetti

Käytä viskositeetiltaan vuodenaikaan sopivaa moottoriöljyä. Valitse moottoriöljy öljynvaihtojen välillä odotetun ilman lämpötila-alueen perusteella.

Sovita öljyn viskositeetti alla olevan kaavion avulla:



Joihinkin moottoreihin saa lisävarusteena imuilman lämmittimen, joka helpottaa käynnistystä kylmällä säällä. Lisätietoja saa Nanni-jälleenmyyjältä.

## Moottorin luokitus

Moottorityypillä voi olla pakokaasupäästöjä koskeva sertifiointi. Näin ollen Nanni takaa, että kaikki sen valmistamat saman tyyppin moottorit ovat viranomaisten hyväksymiä ja sertifioimia eri pakokaasupäästöstandardien mukaisesti.

Jotta moottori vastaa standardeja, käyttäjän on lisäksi noudatettava kunnossapitoa ja huoltoa koskevia erityisvaatimuksia:

- Käytä vain Nanni-varaosia.
- Noudata huoltovälejä.
- Moottoriin ei saa tehdä mitään muutoksia. Tämä ei kuitenkaan koske Nanni Industries S.A.S. Francen hyväksymien lisätarvikkeiden ja huoltosarjojen käyttöä.
- Polttoainejärjestelmän huoltotyöt on aina teetettävä valtuutetussa Nanni-korjaamossa.
- Imuilma- ja pakokaasujärjestelmiin ei saa tehdä mitään muutoksia.
- Sinetit saa rikkoa vain valtuutettu huoltohenkilöstö.
- Käyttäjän on noudatettava kyseisten laitteistojen käyttöohjeissa olevia ohjeita.

Nanni ei vastaa siitä, että moottorin määritykset täyttävät sertifiointin vaatimukset, jos yhtä tai useampaa määräystä ei noudateta.

## Ympäristövastuu

Nanni suunnittelee moottorinsa siten, että niiden ympäristövaikutus on mahdollisimman pieni. Tämä tavoite voidaan saavuttaa kuitenkin vain yhdessä moottorin käyttäjän kanssa.

Käyttö- ja huolto-ohjeet on tarkoitettu käyttäjän avuksi moottorin suojaamisessa ja ympäristöä kuormittamattoman käyttäytymisen omaksumisessa.

Varmista, että käytät suositeltuja polttoaineita ja öljyjä. Muunlaisen polttoaineen tai öljyn käyttö voi aiheuttaa vakavia toimintahäiriöitä, lisätä polttoaineen kulutusta, lyhentää moottorin käyttöikää ja lisätä pakokaasupäästöjä.

Kun lasket öljyä ulos ja vaihdat öljyn tai öljysuodattimen, hävitä jätteet asianmukaisella tavalla.

Nämä nesteet voivat aiheuttaa luontoon päästessään mittavia vahinkoja kasvistolle ja eläimistölle. Käytä imeytyssarjaa, jos öljyä tai polttoainetta pääsee vahingossa veteen.





## Takuu

Asiakkaalle toimitetaan tämän käyttöohjeen lisäksi takuutodistus. Suosittelemme lukemaan sen huolellisesti.

Kiinnitä erityistä huomiota sovellettavaan käyttöjaksoon ja siihen liittyviin rajoituksiin. Takuuehtojen noudattamatta jättäminen mitätöi takuun.

Takuun voimassaolo edellyttää lisäksi, että moottori on asennettu oikein ja se huolletaan valtuutetussa Nanni-korjaamossa.

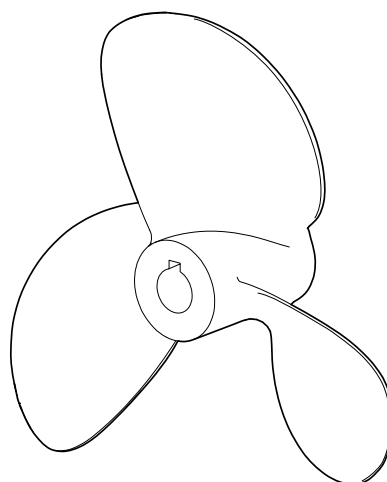
**HUOMAA:** Jos moottoria ei huolleta ajoissa tai se huolletaan virheellisesti tai moottorissa käytetään muita kuin Nannin hyväksymiä aitoja varaosia, Nanni ei vastaa siitä, että moottori täyttää luokitusta koskevat edellytykset, ja sen myöntämä takuu mitätöidään

Moottorin asetuksiin tehtävät muutokset tai muut tekniset muutokset (lisälaitteet, varaosat, lisälaitteet jne.) EIVÄT OLE SALLITTUJA ILMAN NANNI INDUSTRIES S.A.S:N KIRJALLISTA SUOSTUMUSTA.

Luvottomien muutostöiden tekeminen mitätöi takuun. Takuu ei kata myöskään vaurioita, jotka aiheutuvat käyttöohjeiden noudattamatta jättämisestä tai epäasianmukaisesta käytöstä.

## Potkurin valinta

Potkuri on merkittävä osa työntövoimajärjestelmää. Se muuntaa moottorin voiman työntövoimaksi. Jotta potkuri toimii tehokkaasti, se on sovitettava huolellisesti aluksen ja sen käyttötarkoituksen mukaan.



Potkurin valinnalla on huomattava vaikutus moottorin suorituskykyyn. Vääränlainen potkuri voi vaurioittaa moottoria. Moottoreiden kierrosluku riippuu potkurin koosta ja aluksen kuormituksesta. Jos moottorin kierrosluku on liian suuri tai liian pieni moottorin hyvän suorituskyvyn kannalta, sillä on haitallinen vaikutus moottoriin.

Potkurin on oltava sellainen, että moottori voi saavuttaa nimellisenopeuden pienimmällä aluksen kuormituksella. Moottorin virheellinen toiminta johtuu usein sopimattomasta ja/tai vaurioituneesta potkurista.

# Aluksen käyttäytyminen

Jos tämä on ensimmäinen aluksesi tai jos et tunne aluksen käyttäytymistä, suosittelemme harjoittelemaan aluksen ohjaamista aluksi matalalla nopeudella.

Älä tee voimakkaita ohjausliikkeitä tai äkillisiä nopeuden muutoksia. Muutoin matkustajat voivat kaatua tai pudota aluksen kyydistä.

Huomaa myös, että painon jakautuminen (matkustajat, laitteistot jne.) aluksen sisällä vaikuttaa aluksen käyttäytymiseen sen liikkuessa. Aluksen käyttäytyminen voi muuttua kuorman sijainnista riippuen, etenkin liukualuksissa.

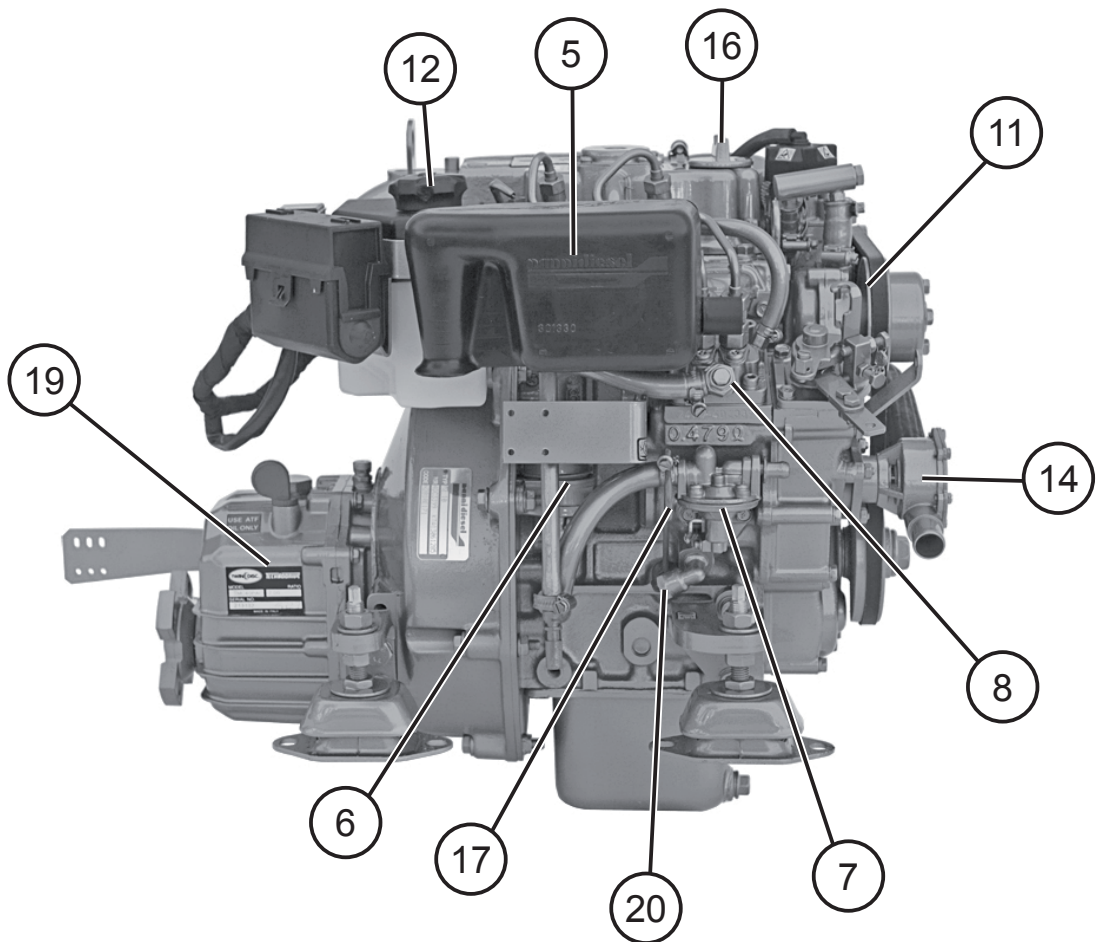
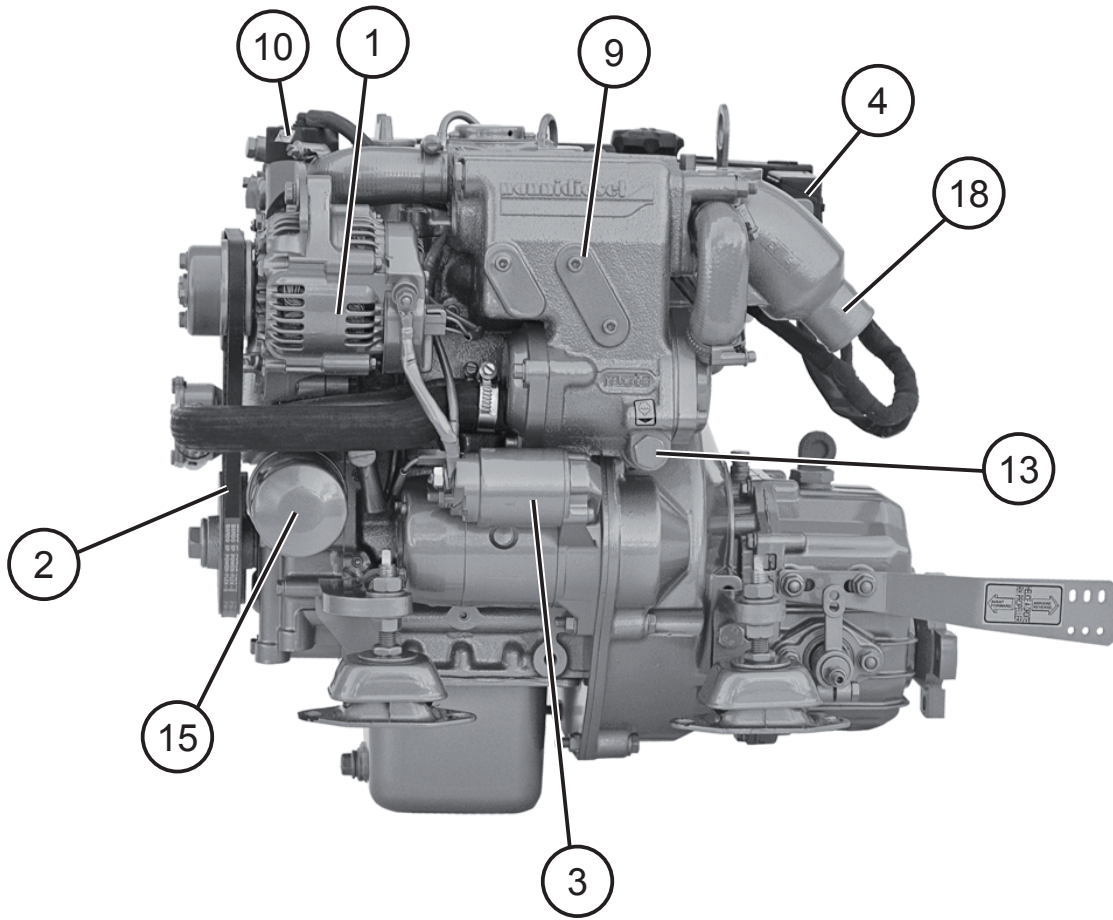
Rungon ja potkurin kunto ovat myös merkittäviä tekijöitä. Likaantunut ja/tai vaurioitunut runko muuttaa aluksen käyttäytymistä ja sen vuoksi myös moottorin suorituskykyä. Se voi aiheuttaa myös kavitaatiota, mikä voi aiheuttaa mittavaa syöpmistä esim. potkurin ja voimansiirtolaitteiston pintaan.



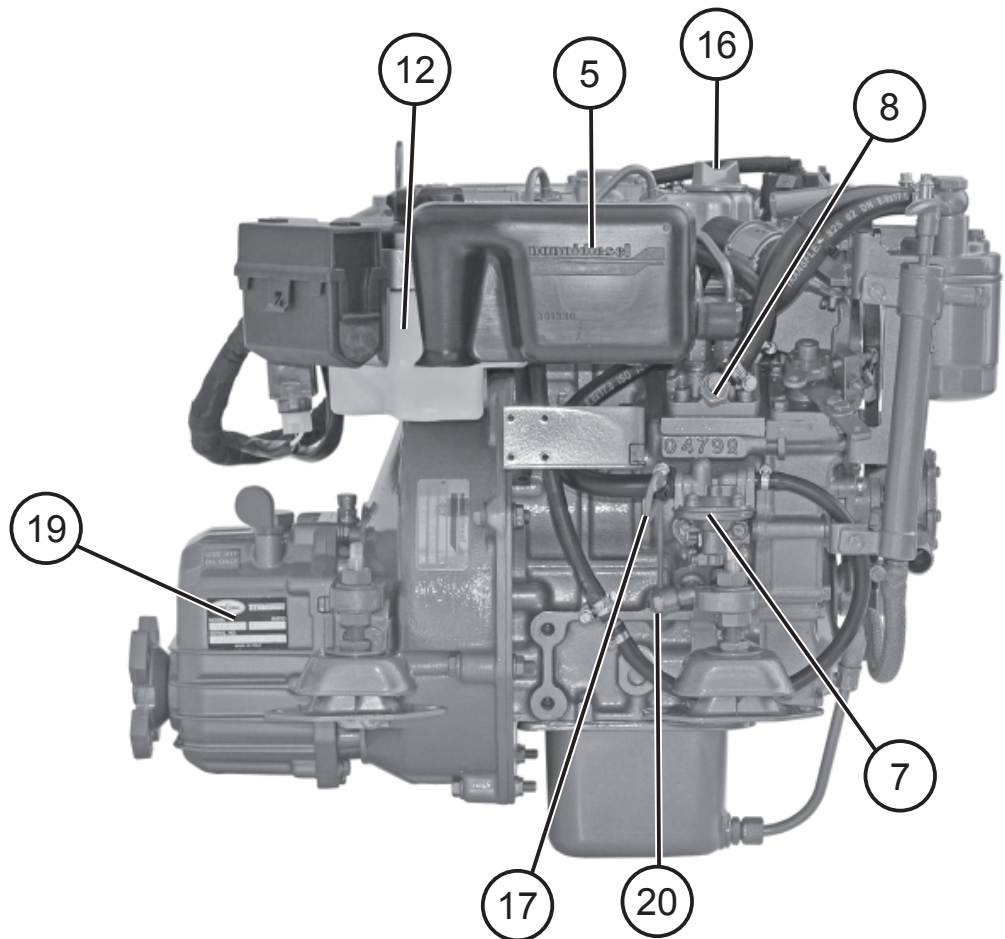
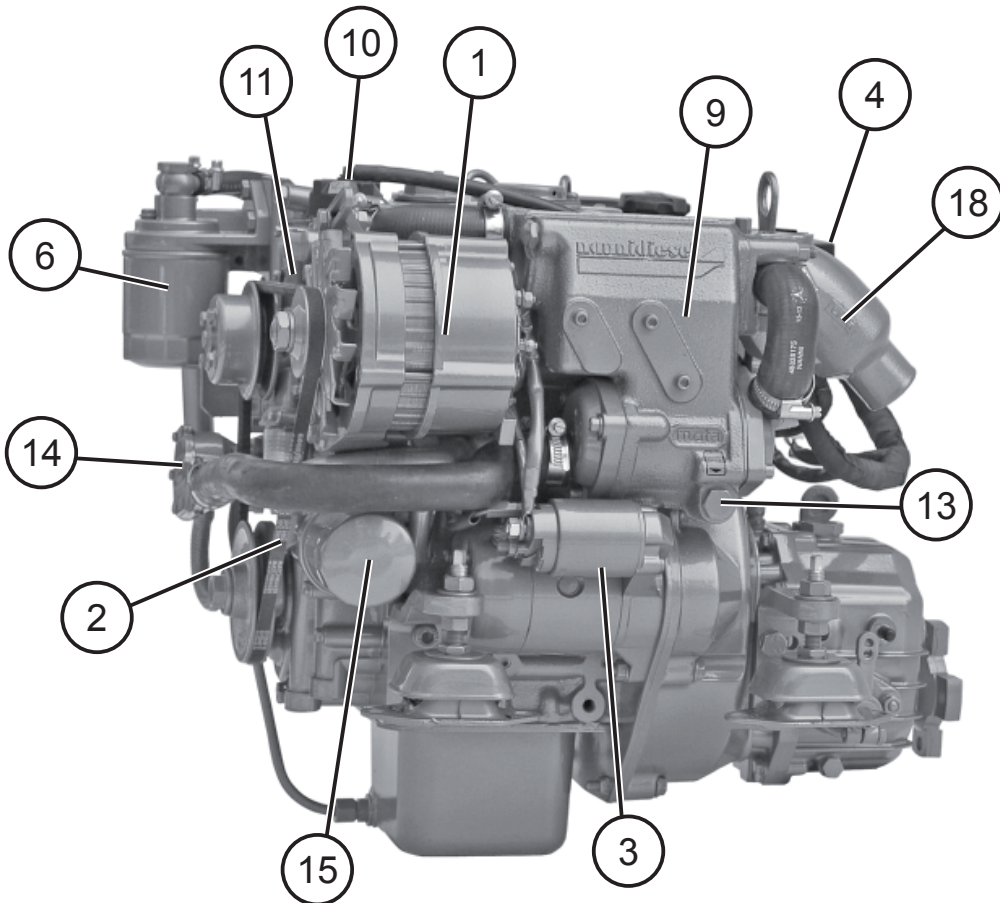
## **Moottorin pääosat** Moottori voi poiketa tässä esitetystä moottorista. Kaikki osat eivät välttämättä kuulu tilaamaasi moottoriin

<i>P/N</i>	<i>OSAT</i>
<b>1</b>	Vaihtovirtageneraattori
<b>2</b>	Vaihtovirtageneraattorin hihna
<b>3</b>	Käynnistin
<b>4</b>	Sulakekotelo
<b>5</b>	Ilmasuodatin
<b>6</b>	Polttoainesuodatin
<b>7</b>	Polttoaineen syöttöpumppu
<b>8</b>	Polttoaineen ruiskutuspumppu
<b>9</b>	Lämmönvaihdin
<b>10</b>	Jäähdytysnesteen täyttöaukon kansi
<b>11</b>	Jäähdytysnestepumppu
<b>12</b>	Keräyssäiliö
<b>13</b>	Lämmönvaihtimen tyhjennystulppa
<b>14</b>	Raakavesipumppu
<b>15</b>	Öljysuodatin
<b>16</b>	Öljyn täyttöaukko
<b>17</b>	Öljymäärän osoitin
<b>18</b>	Vesijäähdytteinen pakoputki
<b>19</b>	Vaihteisto
<b>20</b>	Jäähdytysnesteen tyhjennystulppa

# N2.10

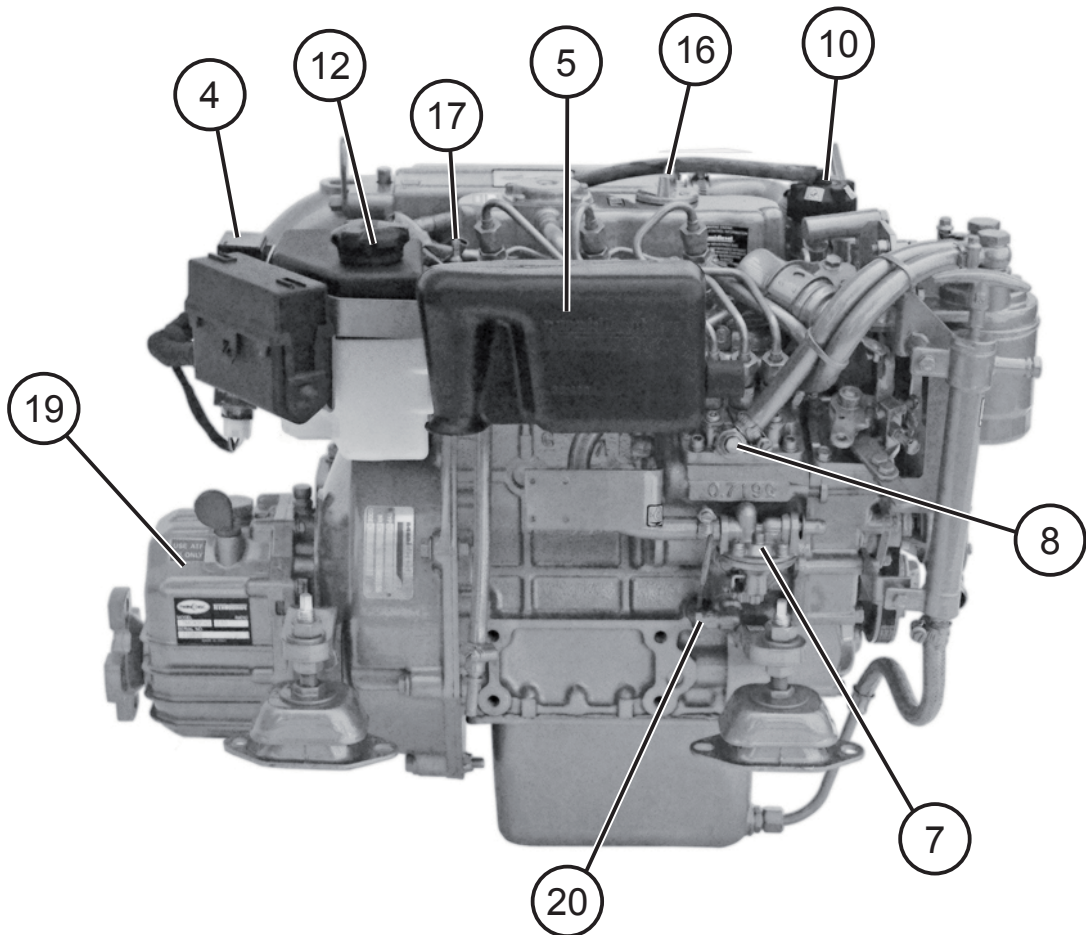
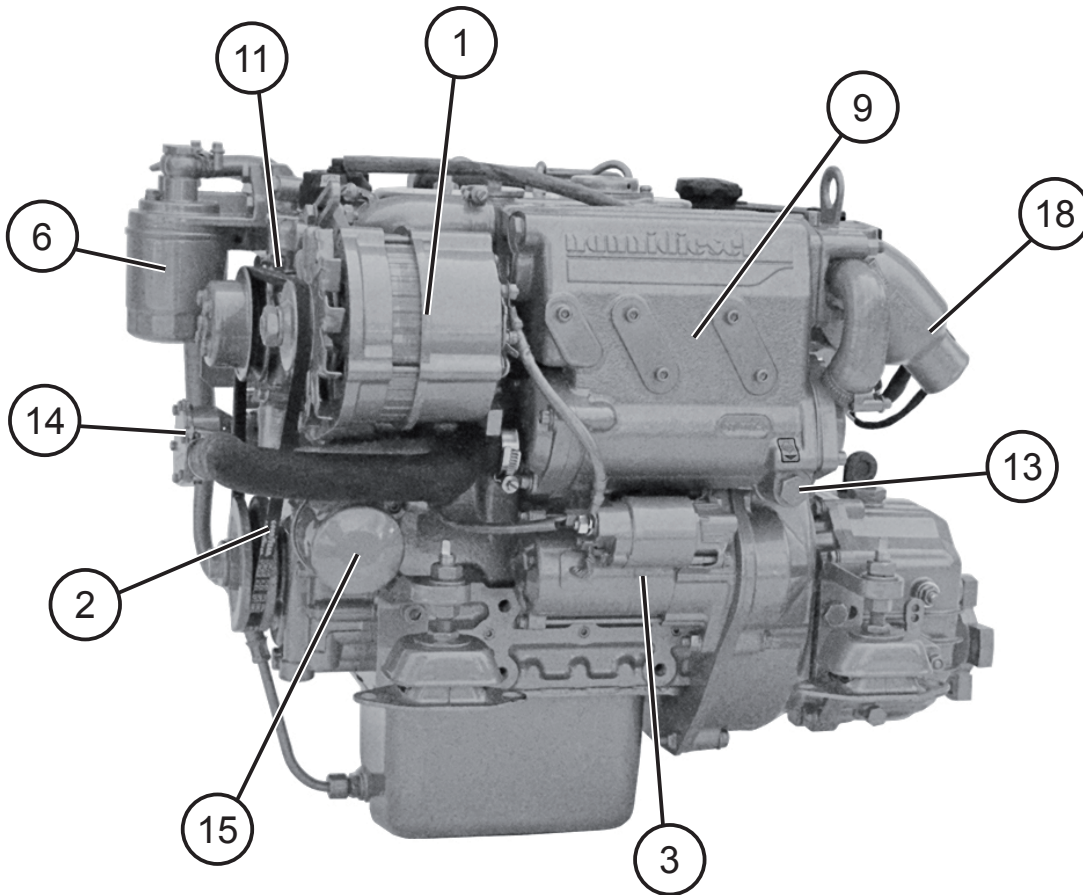


# N2.14





# N3.21



# 5 MITTARISTO

## ⚠ VAROITUS

Lue käynnistys- ja sammutusohjeet ennen moottorin käyttöä.

Mittaristossa näkyy tärkeitä tietoja moottorista.

**HUOMAA:** Tässä osassa on kuvattu vain Nanni-moottoreiden vakiovarusteiset mittaristot ja paneelit. Ota yhteyttä jälleenmyyjään, jos aluksessasi on jokin muu kuin tässä käyttöohjeessa kuvattu mittaristo tai jos sinulla on jotakin kysyttävää mittariston toiminnasta. Aluksesta riippuen mittaristot voidaan asentaa suoraan kojelautaan ilman tässä kuvattua paneelia.

Joissakin aluksissa avaimetonta paneelia käytetään lisämittaristona kaljusilta-asennossa. Avainkytkimellä varustettu pääpaneeli sijaitsee yleensä ohjaushytissä. Sillä voidaan estää tahaton käynnistäminen lisäpaneelin avulla. Jotta moottorin voi käynnistää lisäpaneelin avulla, pääpaneelin avaimen on oltava **SYTYTYSVIRTA**-asennossa.

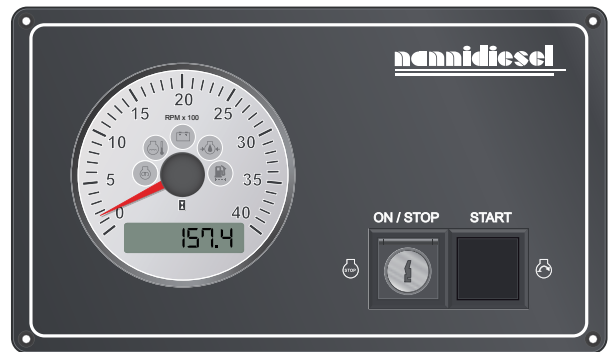
## Vakiopaneeli

### ECO4-PANEELI

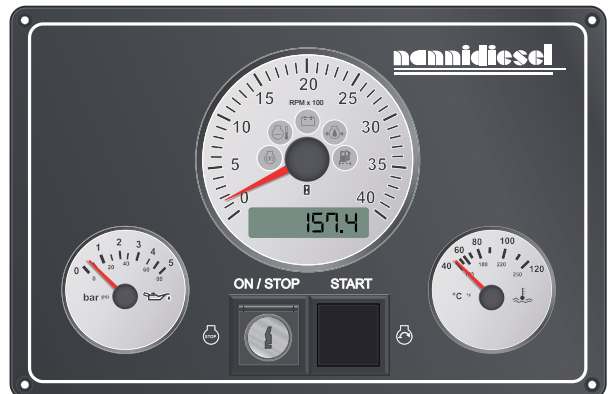


**HUOMAA:** Eco4-paneeli on saatavissa vain moottorimalliin N2.10.

### A4-PANEELI



### C4-PANEELI





# Mittalaitteisto

## Kierroslukumittari ja varoitusvalot

Analoginen kierroslukumittari osoittaa moottorin nopeuden. Moottorin kierrosluku (kierrosta minuutissa) lasketaan kertomalla mittarissa näkyvä luku sadalla.

Varoitusvalojen toiminta on esitetty seuraavilla sivuilla.



## Tuntimittari ja jännitemittari

Näyttötaulun alareunassa olevassa näytössä näkyy moottorin käyttöaika tunteina.

Kun järjestelmän jännite on kytketty, näytössä näkyy akun koskettimen jännite.

# Käynnistyskytkin

Moottorin voi käynnistää ja sammuttaa käynnistyskytkimen avulla.

**ON/STOP**-kytkimellä voi kytkeä järjestelmän jännitteen ja sammuttaa moottorin.

**START**-painikkeella voi esilämmitellä moottorin ja käyttää käynnistintä.

**HUOMAA:** Moottorimallissa N2.10 ei ole vakiovarusteena sähkötoimista pysäytystoimintoa. Moottorissa on oltava asennettuna mekaaninen pysäytin, jotta moottorin voi pysäyttää.



## Moottoriöljyn paineen ilmaisain

**HUOMAA:** Tämä ilmaisain ei osoita moottoriöljyn määrää. Ilmaisain osoittaa öljyn paineen (bar ja psi).

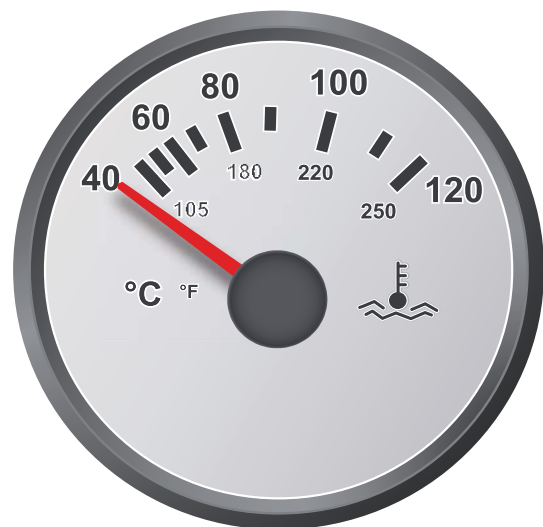
Jos voitelujärjestelmän öljynpaine on liian alhainen, järjestelmästä kuuluu äänimerkki ja vastaava merkkivalo syttyy mittaristoon.



## Jäähdytysnesteen lämpötilan ilmaisain

Ilmaisain osoittaa jäähdytysnesteen lämpötilan Celsius- ja Fahrenheit-asteina.

Jos jäähdytysnesteen lämpötila on liian korkea, järjestelmästä kuuluu äänimerkki ja vastaava merkkivalo syttyy mittaristoon.



## Varoitusvalot

### JÄÄHDYTYSNESTEEN LÄMPÖTILA



Varoitusvalo syttyy ja järjestelmästä kuuluu äänimerkki, kun jäähdytysnesteen lämpötila on liian korkea.

#### **⚠ VAARA**

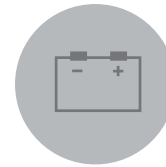
Älä avaa jäähdytysnesteen täyttöaukon korkkia tai mitään jäähdytysjärjestelmän tulppia moottorin ollessa lämmin. Muutoin niistä voi tulla ulos höyryä tai kuumaa nestettä.

#### **⚠ HUOMAUTUS**

\* Jos hälytys laukeaa moottorin käydessä, sammuta moottori (lukuun ottamatta äärimmäisiä hätätilanteita) ja tarkasta jäähdytysnesteen määrä, hihnan kunto, raakavesisuodattimen kunto ja että pohjaventtiili on auki.

\* Jos moottoria käytetään jäähdytysnesteen lämpötilan ollessa liian korkea, moottori voi vaurioitua vakavasti. Älä käytä moottoria, jos ongelma jatkuu, vaan ota mahdollisimman pian yhteyttä Nanni-korjaamoon.

## AKUN LATAUSTILA



Varoitusvalo syttyy, kun järjestelmän jännite on kytketty.

Jos varoitusvalo syttyy moottorin käydessä, se osoittaa, että moottorin vaihtovirtageneraattori ei lataudu.

Se voi johtua sähköjärjestelmän viasta tai siitä, että vaihtovirtageneraattorin hihna on löystynyt.

#### **⚠ HUOMAUTUS**

\* Jos hälytys laukeaa moottorin käydessä, sammuta moottori (lukuun ottamatta äärimmäisiä hätätilanteita) ja tarkasta hihnajärjestelmän osat. Tarkasta myös sähköjärjestelmän osat (sulakkeet, akku jne.).

\* Älä käytä moottoria, jos ongelma jatkuu, vaan ota mahdollisimman pian yhteyttä Nanni-korjaamoon.



## ESILÄMMITYS



Merkkivalo syttyy, kun hehkutustulpat (jos varusteena) on aktivoitu.

## MOOTTORIÖLJYN PAINES



Varoitusvalo syttyy ja järjestelmästä kuuluu äänimerkki, kun moottoriöljyn paine on liian alhainen.

### **⚠ HUOMAUTUS**

\* Jos hälytys laukeaa moottorin käydessä, sammuta moottori (lukuun ottamatta äärimmäisiä hätätilanteita) ja tarkasta moottoriöljyn määrä ja öljysuodattimen kunto.

\* Jos moottoria käytetään öljyn paineen ollessa liian alhainen, moottori voi vaurioitua vakavasti. Älä käytä moottoria, jos ongelma jatkuu, vaan ota mahdollisimman pian yhteyttä Nanni-korjaamoon.

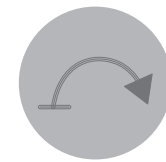
## VETTÄ POLTTOAINESUODATTIMESSA



Varoitusvalo syttyy ja järjestelmästä kuuluu äänimerkki, kun moottorin polttoainesuodattimessa on liikaa vettä (ei koske kaikkia moottoreita).

Jos äänimerkki kuuluu, sammuta moottori ja valuta vesi ulos polttoainesuodattimesta.

## JÄRJESTELMÄN JÄNNITE



**HUOMAA:** Vain Eco4-paneeli.

Osoittaa, että järjestelmän jännite on kytketty.



## Huomautukset

---

## Ennen käynnistystä

### ⚠ **VAROITUS**

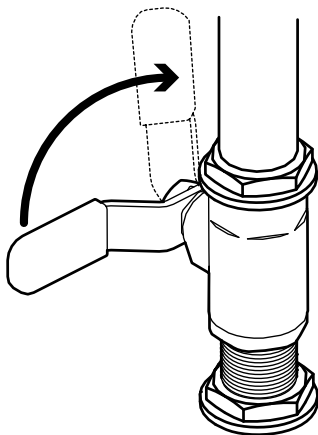
Aseta kaikki suojukset takaisin paikoilleen ennen moottorin käynnistämistä.

### ⚠ **HUOMAUTUS**

Avaa pohjaventtiili (jos varusteena) ennen moottorin käynnistämistä. Raakavesipumpun siipipyörä vaurioituu, jos se pyörii kuivana edes muutaman sekunnin, minkä seurauksena moottori voi ylikuumentua.

Suorita kaikki seuraavat toimenpiteet ennen moottorin käynnistämistä:

**1.** Avaa pohjaventtiili (jos varusteena). Pohjusta raakavesijärjestelmä tarvittaessa.



**2.** Käynnistä moottorin tuuletin (jos varusteena) ja anna sen käy-  
tä vähintään viisi minuuttia. Avaa  
muutoin ruuma.

**3.** Tarkasta, että polttoainetta on  
riittävästi.

**4.** Aseta ohjausvipu vapaa-asen-  
toon.

**5.** Avaa polttoainehana ja pohjus-  
ta järjestelmä tarvittaessa.

**6.** Tarkasta moottorin ja vaihteis-  
ton öljymäärä ja lisää tarvittaessa  
suositeltua öljyä.

**7.** Tarkasta jäähdytysnesteen  
määrä ja lisää sitä tarvittaessa.

**8.** Tarkasta ohjauskaapelit ja voi-  
tele liitännät tarvittaessa.

**9.** Varmista, ettei polttoainetta,  
öljyä, jäähdytysnestettä tai vettä  
vuoda.

**10.** Tarkasta vaihtovirtageneraatto-  
rin hihna.

**11.** Kytke pääkytkimet päälle.



# Moottorin käynnistys

## ⚠ VAARA

\* Pyörivä potkuri voi aiheuttaa vakavia vammoja. Tarkasta ennen moottorin käynnistämistä, ettei vedessä ole ketään potkurin lähellä.

\* Älä käytä käynnistyssuihketta tai muita vastaavia tuotteita, sillä ne ovat herkästi syttyviä.

## ⚠ HUOMAUTUS

\* Esilämmitä moottori aina. Älä käytä moottoria täydellä teholla sen ollessa kylmä.

\* Älä käynnistä moottoria yhtäjaksoisesti 10 sekuntia kauempaa. Anna moottorin jäähtyä kaksi minuuttia käynnistysyritysten välillä. Näiden ohjeiden noudattamatta jättäminen voi polttaa käynnistysmoottorin loppuun.

\* Jos moottori ei käynnisty kolmen käynnistysyrityksen jälkeen, poista avain ja valuta vesi ulos vesilukosta. Jos näin ei tehdä, vettä voi päästä sylintereihin.

**HUOMAA:** Kun käynnistät moottorin ensimmäisen kerran, annan moottorin käydä joutokäynnillä muutaman minuutin ajan ja tarkasta se vuotojen ja toimintahäiriöiden varalta.

# Käynnistys käynnistysakkujen avulla

## ⚠ HUOMAUTUS

Varmista, että käytettävien akkujen jännite on sama kuin moottorin järjestelmän jännite.

1. Liitä välikaapeli ensin akun plusnapaan (+) ja sitten käynnistysakun plusnapaan (+).
2. Liitä välikaapeli käynnistysakun miinusnapaan (-). Liitä sitten kaapelin toinen pää moottorilohkon kytkimen pulttiin.

## ⚠ VAARA

Jos moottorissa on kaksina-painen sähköjärjestelmä, liitä välikaapelin toinen pää käynnistysakun miinusnapaan (-).

3. Käynnistä moottori käynnistysohjeiden mukaisesti.
4. Anna moottorin käydä joutokäynnillä muutaman minuutin ajan, jotta akku latautuu.
5. Sammuta moottori ja irrota kaapelit täsmälleen päinvastaisessa järjestyksessä kuin niitä asennettaessa.



## Avaimellinen paneeli

1. Aseta ohjausvipu vapaa-asentoon.
2. Paina manuaalista pysäytintä (jos varusteena).
3. Aseta avain **ON/STOP**-käynnistyskytkimeen.
4. Käännä avainta neljänneskierros oikealle. Kaikki varoitusvalot syttyvät ja järjestelmästä kuuluu äänimerkki. Muutaman sekunnin jälkeen vain **MOOTTORIÖLJYN PAINEEN ja AKUN VARAUSTILAN** merkkivalot jäävät palamaan.
5. Käynnistä esilämmitys painamalla **KÄYNNISTYSPAINIKE** puoliväliin. Esilämmitä moottori pitämällä painike painettuna 5-15 sekuntia ympäristön lämpötilasta riippuen.
6. Käynnistä moottori painamalla painike kokonaan pohjaan. Kun moottori on käynnistynyt, vapauta painike. Tällöin kaikki merkkivalot sammuvat.
7. Jos moottorissa on vesijäähdytteinen pakoputki, tarkasta, että vettä virtaa rungossa olevasta pakokaasun poistoaukosta. Jos vettä ei virtaa, sammuta moottori ja tarkasta raakavesijärjestelmä.

## Avaimeton paneeli

1. Kytke pääpaneelin avain syytysasentoon (jos varusteena).
2. Aseta ohjausvipu vapaa-asentoon.
3. Paina manuaalista pysäytintä (jos varusteena).
4. Paina **ON/STOP**-painiketta. Kaikki varoitusvalot syttyvät ja järjestelmästä kuuluu äänimerkki. Muutaman sekunnin jälkeen vain **MOOTTORIÖLJYN PAINEEN ja AKUN VARAUSTILAN** merkkivalot jäävät palamaan.
5. Käynnistä esilämmitys painamalla **KÄYNNISTYSPAINIKE** puoliväliin. Esilämmitä moottori pitämällä painike painettuna 5-15 sekuntia ympäristön lämpötilasta riippuen.
6. Käynnistä moottori painamalla painike kokonaan pohjaan. Kun moottori on käynnistynyt, vapauta painike. Tällöin kaikki merkkivalot sammuvat.
7. Jos moottorissa on vesijäähdytteinen pakoputki, tarkasta, että raakavettä virtaa rungossa olevasta pakokaasun poistoaukosta. Jos vettä ei virtaa, sammuta moottori ja tarkasta raakavesijärjestelmä.

# Käytön aikana

## ⚠️ HUOMAUTUS

Älä paina START-painiketta moottorin käydessä.

Tarkasta mittaristot ja varoitusvalot moottorin käynnistämisen jälkeen ja säännöllisesti liikkeellä ollessasi.

## Kulkunopeus

Suosittelunopeus moottorin nopeus on ilmoitettu kappaleessa **TEKNISET TIEDOT**. Sen avulla voit sovittaa kulkunopeuden oikein.

**HUOMAA:** Huomioi aina merenkulkuolosuhteet ja aluksen kuorma kulkunopeutta sovittaessasi.

Vältä moottorin käyttämistä täydellä teholla, sillä se on epämukavaa ja epätaloudellista.

Jos moottoria käytetään liian alhaisella kierrosluvulla pitkiä aikoja, mm. öljynkulutus kasvaa.

Lisäksi ruiskutusjärjestelmään voi muodostua kertymiä, jos moottori ei saavuta nimellistä käyttölämpötilaa säännöllisesti. Käytä moottoria täydellä teholla säännöllisesti, jotta polttoainejärjestelmään mahdollisesti muodostuneet kertymät palavat pois.

# Toimenpiteet

## ⚠️ VAROITUS

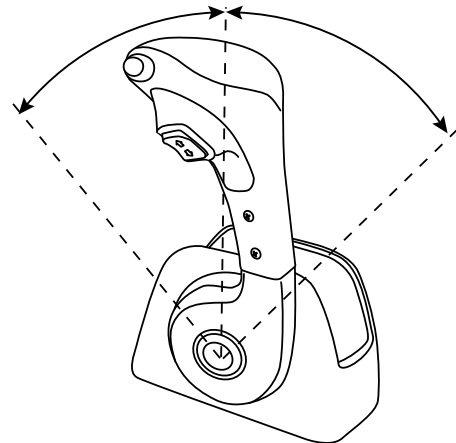
Vaihteen vaihtaminen suuressa nopeudessa voi vaurioittaa moottoria ja vaihteistoa sekä vaarantaa matkustajien turvallisuuden.

## ⚠️ HUOMAUTUS

Kaksimoottorisissa aluksissa molempien moottoreiden on oltava käynnissä aluksella peruutettaessa. Muutoin vettä voi päästä sisään sammutettuna olevaan moottoriin.

Suorita seuraavat toimenpiteet eteen-/taaksepäin liikkumista varten:

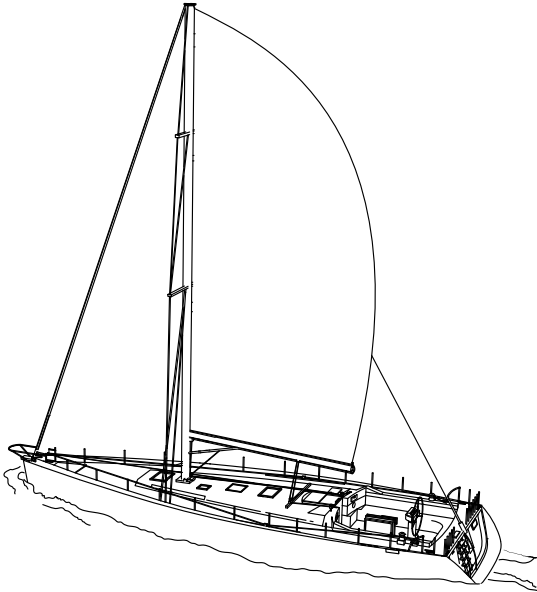
1. Laske moottorin nopeus joutokäyntikierrosluvulle ja anna aluksen nopeuden hidastua lähes kokonaan, jos se on mahdollista.



2. Aseta ohjausvipu vapaa-asentoon ja odota muutama sekunti.
3. Aseta ohjausvipu taakse. Lisää nopeutta.

## Liikkuminen moottori pysäytettynä

Potkurin aiheuttamaa vastusta on mahdollista vähentää.



### ⚠ HUOMAUTUS

\* Katso ensisijaisesti lisätietoa vaihteiston käytöstä merenkulun aikana valmistajan suosituksista.

*Jos potkurin lavat voi taittaa kokoon:*

- Aseta kaasuvipu taakse (peruutusasento). Lavat ovat kiinni, kun alus liikkuu eteenpäin. Tällöin lapojen aiheuttama hydrodynaaminen vastus on mahdollisimman pieni.

*Jos potkurin lapoja ei voi taittaa kokoon:*

- Aseta kaasuvipu taakse (peruutusasento). Potkuri ei pyöri eikä aiheuta hydrodynaamista vastusta.
- Jos vipu asetetaan vapaa-asentoon, potkuri pyörii ja aiheuttaa pienemmän hydrodynaamisen vastuksen kuin peruutettaessa.

### ⚠ HUOMAUTUS

\* Aluksella saa kulkea moottori sammutettuna ja vipu vapaa-asennossa enintään kuusi tuntia kerrallaan. Potkuri voi pyörittää akselia, mikä voi vaurioittaa vaihteistoa. Anna moottorin käytä 15 minuuttia vähintään kuuden tunnin välein, jotta vaihteiston voitelu on riittävää.

\* Potkurin ja vaihteiston tyypistä riippumatta aluksella ei saa liikkua moottori pysäytettynä, kun eteenpäinkulun vaihde (eteen) on kytkettynä.

\* Sulje pohjaventtiili merenkulun ajaksi, jos aluksella voidaan saavuttaa yli 8 solmun nopeus. Vettä voi päästä raakaveden ottokohdan läpi ja pakokaasujärjestelmä voi täytyä vedellä. Muista avata pohjaventtiili uudelleen ennen moottorin käynnistämistä.

# Moottorin sammutus

## ⚠ HUOMAUTUS

Älä sammuta moottoria pääkytkimen avulla. Muutoin sähköjärjestelmä voi vaurioitua.

Anna moottorin käydä vapaa-asennossa joutokäynnillä muutama minuutti ennen sen sammuttamista etenkin, jos moottoria on käytetty täydellä teholla ja kuormituksella. Tällöin jäähdytysneste jäähdyttää moottorin.

1. Käynnistä moottorin tuuletin (jos varusteena) tai avaa ruuma.
2. *Jos aluksessa on mekaaninen pysäytin:* Vedä pysäytintä ja pidä se vedettynä, kunnes moottori on sammunut. Paina pysäytintä. Käännä avainta paneelissa vastapäivään.
3. *Jos aluksessa on sähkötoiminen pysäytystoiminto:* Käännä avainta käynnistyskytkimessä vastapäivään, niin moottori sammuu ja kaikki ilmaisimet sammuvat. Moottori sammuu ja kaikki merkkivalot sammuvat. Jos aluksessa on avaimeton paneeli, paina ON/STOP-painiketta ja vapauta se sitten. Moottori sammuu. Käännä pääpaneelin avainta vastapäivään. Kaikki ilmaisimet sammuvat.

## ⚠ HUOMAUTUS

Vaikka moottori on sammunut, jotkut osat ja nesteet ovat edelleen kuumia ja paineistettuja muutaman minuutin ajan. Älä tee moottorille mahdollisuuksien mukaan mitään töitä heti sen sammuttamisen jälkeen, kun moottori on kuuma.

Kun moottori on sammunut:

1. Kytke pääkytkin pois päältä.
2. Sulje pohjaventtiili ja polttoainehana.
3. Tarkasta moottorin tila ja tee tarkastus vuotojen varalta.

## ⚠ HUOMAUTUS

\* Jos alusta hinataan, aseta vipu vapaa-asentoon, sammuta moottori ja sulje pohjaventtiili, jotta moottori ei täyty raakavedellä.

\* Jos aluksessa on kaksi moottoria ja vain toista moottoria käytetään liikkumiseen, sulje sammutettuna olevan moottorin pohjaventtiili.

Muista avata pohjaventtiili ennen moottorin käynnistämistä uudelleen.

## Ankkurointi

Kun alus on ankkurissa tai satamassa pidemmän aikaa, runkoon, köliin, voimansiirtojärjestelmään, peräsimeen, potkuriin jne. voi kertyä kasvustoa. Jos kasvustoa ei poisteta ennen aluksen seuraavaa käyttökertaa, se vaikuttaa huomattavasti aluksen käyttäytymiseen ja moottorin suorituskykyyn.

Kasvusto voi tukkia raakavesijärjestelmän ja vaurioittaa moottoria sen ylikuumentuessa.

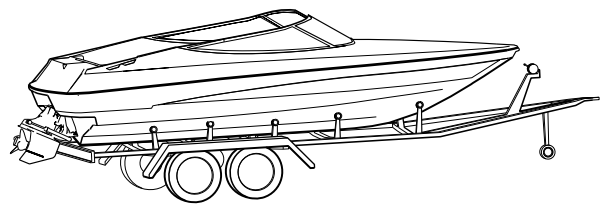
Tarkasta ja puhdista alus ja raakavesijärjestelmä aina, kun moottoria käytetään. Puhdista alus tarvittaessa. Jos alus nostetaan vedestä, puhdista runko ja suihkuta siihen kerros kasvuston kasvamisen estävää ainetta. Älä koskaan maalaa anodeja.

Lisäksi kun alus on ankkurissa tai satamassa pidemmän aikaa, vesi voi täyttää pakokaasujärjestelmän pakokaasun poistoaukon kautta. Vesi on poistettava vesilukon kautta säännöllisesti, kun alus on ankkurissa.

## Varastointi

Jos alusta ei käytetä talvella useisiin viikkoihin, moottori on tarkastettava ja sitä on käytettävä muutaman minuutin ajan 10 päivän välein.

Jos alusta ei käytetä yli kahteen kuukauteen, moottorille ja vaihteistolle on tehtävä erityisiä toimenpiteitä. Lisätietoja on kappaleessa **PITKÄAIKAINEN VARASTOINTI**.



Jäätymisestä aiheutuvien vaurioiden välttämiseksi raakavesijärjestelmä on tyhjennettävä, jos se on vaarassa jäätymään. Lisätietoja on kappaleissa **HUOLTO JA PITKÄAIKAINEN VARASTOINTI**.

**KAIKKI TÄLLAISET TOIMENPITEET ON TEETETTÄVÄ VALTUUTETUSSA NANNI-KORJAAMOSSA.**



**⚠ VAROITUS**

\* Suorita moottorin huoltotyöt aina mahdollisuuksien mukaan siten, että moottori on sammutettu, avain on poistettu paneelista ja virransyöttö on katkaistu.

\* Lue tämä kappale kokonaan ja kaikki turvamääräykset ennen huoltotöiden aloittamista. Varmista, että olet ymmärtänyt, miten huoltotyöt suoritetaan.

Tässä käyttöohjeessa on kuvattu vain ennaltaehkäisevät huoltotyöt, jotka moottorin omistajan/käyttäjän on suoritettava. Kun ennaltaehkäisevät huoltotyöt suoritetaan huoltovälien mukaisesti, moottori toimii luotettavasti ja sen käyttöikä on pitkä.

Takua aikana kaikki työt on teetettävä valtuutetussa Nanni-korjaamossa. Lisäksi kaikki huoltotyöt on merkittävä Nannin asiakaspalvelujärjestelmään.

Jotkut säännölliset tarkastukset ja etenkin tarkastukset, jotka on suoritettava jokaisella moottorin käyttökerralla, voi suorittaa kuitenkin vain käyttäjä. Lisäksi käyttöohjeessa on kuvattu muutama muu toimenpide, joiden avulla käyttäjä voi huoltaa moottoria hätätapauksessa tai kun lähetyvillä ei ole yhtään korjaamoa.

Suosittelimme tarkastuttamaan kaikki itse tehdyt työt valtuutetussa Nanni-korjaamossa.

Muita kuin ohjeissa mainittuja moottorin korjaus- ja säätötoimenpiteitä ei saa suorittaa turvallisuussyistä.

Epäasianmukaisesti suoritettavat työt vaarantavat moottorille töitä suorittavan henkilön ja muiden henkilöiden turvallisuuden. Tämä koskee etenkin venttiilinajoitusta ja ruiskutusjärjestelmää.

**HUOMAA:** Huoltovälit ja vaihteiston ennaltaehkäisevää huoltoa koskevat olennaiset tiedot on ilmoitettu vaihteiston valmistajan toimittamassa käyttöohjeessa. Lisätietoja vaihteiston huollosta saa Nannijälleenmyyjältä.

Tuntimittari osoittaa moottorin käytötunnit.

# Huoltoajat

**HUOMAA:** Päivittäin tarkastettavat kohteet on huollettava 100 käyttötunnin tai vuoden välein jne. Kaikki osat eivät välttämättä kuulu tilaamaasi moottoriin.

Merkillä ► merkityt toimenpiteet on teetettävä Nanni-korjaamossa

\* Toimenpiteet, jotka on suoritettava 20 käyttötunnin tai 45 päivän kuluttua käyttöönnotosta.

## **ENNEN MOOTTORIN KÄYTTÖÄ**

- Tarkasta moottorin ja vaihteiston öljymäärä. Lisää tarvittaessa\*.
- Tarkasta jäähdytysnesteen kunto ja määrä. Lisää tarvittaessa\*.
- Tarkasta raakavesisuodatin ja puhdista se tarvittaessa\*.
- Valuta vesi ulos polttoaineen esisuodattimesta\*.
- Tarkasta akun kunto\*.
- Tarkasta mittariston varoitusvalot\*.
- Tarkasta ja korjaa yleinen vesitiiviys\*.
- Tarkasta tiivistysholkin kunto\*.

## **100 KÄYTTÖTUNNIN / VÄHINTÄÄN VUODEN VÄLEIN**

- Puhdista ilmansuodatin. Vaihda tarvittaessa.
- Vaihda polttoainesuodatin\*.
- Tarkasta hihnojen kunto ja kireys. Vaihda tarvittaessa\*.
- Tarkasta anodit. Vaihda tarvittaessa\*.
- Tarkasta ja kiristä sähköliitännät ja -kaapelit, kiinnittimet ja ruuvit\*.
- Poista saostuma polttoainesäiliöstä ja tyhjennä polttoainesäiliö.
- Tarkasta ohjausyksikkö ja kaapelien kunto ja voitelu\*.



## **200 KÄYTTÖTUNNIN / VÄHINTÄÄN VUODEN VÄLEIN.**

- Vaihda moottorin ja vaihteiston öljy\*.
- Vaihda öljynsuodattimet\*.
- Vaihda polttoainesuodattimet\*.
- Tarkasta raakavesipumpun siipipyörä. Vaihda tarvittaessa.
- Tarkasta moottorin joustavat kiinnitykset. Säädä tarvittaessa\*.
  - ▶ Puhdista turboahtimen hukkaportti.
  - ▶ Puhdista ja korjaa maalipinta tarvittaessa.

## **400 KÄYTTÖTUNNIN / VÄHINTÄÄN 2 VUODEN VÄLEIN .**

- ▶ Vaihda lämmönvaihtimen termostaatti.
- ▶ Vaihda lämmönvaihtimen täyttöaukon kansi.
- ▶ Tyhjennä ja vaihda jäähdytysneste. Puhdista jäähdytysjärjestelmä.
- ▶ Tarkasta ja puhdista lämmönvaihtimen putket. Vaihda O-rengas.
- ▶ Tarkasta ja puhdista ilmanjäähdyttimen putket. Vaihda O-rengas. Tarkasta ja puhdista vaihteistoöljyn jäähdyttimen putket.
- ▶ Tarkasta polttoaineen ruiskutusputket. Vaihda tarvittaessa.
- ▶ Tarkasta kylmä venttiilin vällys.
- ▶ Tarkasta ja puhdista turboahdin.

## **1 000 KÄYTTÖTUNNIN / VÄHINTÄÄN 4 VUODEN VÄLEIN.**

- ▶ Vaihda moottorin joustavat kiinnitykset.

# Yleistarkastus

## ⚠ HUOMAUTUS

Älä anna öljy-, polttoaine- tai rasvasaostumisen kertyä moottorin ympärille, sillä ne voivat kasvattaa tulipalon vaaraa moottoritilassa.

Ota tavaksesi tarkastaa moottori ja moottoritila silmämääräisesti ennen moottorin käynnistämistä aina, kun käytät alusta: tarkasta mahdolliset polttoaine-, vesi- ja öljyvuodot, kiinnitysten ja pulttien kireys, hihnan, letkujen ja sähköjohtojen kunto, anodien kuluminen (jos varusteena), akun elektrolyyttimäärä ja kaikki moottorin asennusosat.

## Ohjauskaapelit

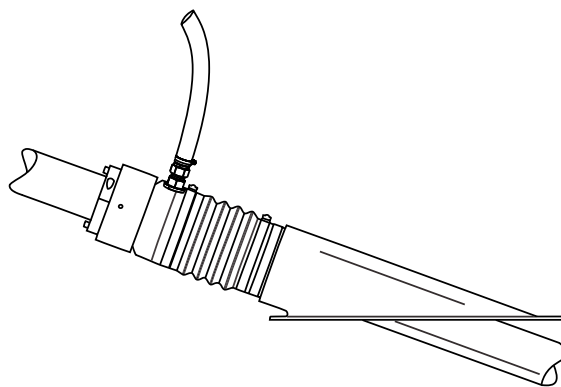
Moottorin kierroslukua ja vaihteiston vaihteensiirtokomentoja ohjataan ohjausvipuun kytkettyjen mekaanisten ohjauskaapelien avulla.

Säädä kaapelin kireyttä tarvittaessa. Vaihda ohjauskaapeli, jos siinä on vaurioita (esim. ruoste tai halkeamat).

# Tiivistysholkki

## ⚠ VAARA

Tiivistysholkkia, joka voidellaan moottorin jäähdytysjärjestelmästä saatavalla raakavedellä, ei saa koskaan asentaa purjeveneeseen tai alukseen, jossa pakoputki on vesirajan alapuolella. Purjeveneissä ja aluksissa, joissa pakoputki on vesirajan alapuolella, on käytettävä erillistä vedensaahtia tai rasvalla voideltavaa tiivistysholkkia.



Jos aluksessa on punotun tyyppinen tiivistysholkki, tarkasta järjestelmän tiiviys. Koska järjestelmä ei ole täysin tiivis, pieni määrä vettä pääsee tiivisteholkin läpi. Se on normaalia. Oikeanlainen toiminta on luonteeltaan tippa kerrallaan tapahtuvaa vedenottoa. Jos vettä pääsee sisään liikaa, sammuta moottori ja ota mahdollisimman pian yhteyttä Nanni-jälleenmyyjään.

Varmista aina, että tiivistysholkin voitelu on riittävä.

## Pakokaasujärjestelmä

Tarkasta kaikki pakokaasujärjestelmän osat (letkut, kiinnikkeet, sekoitusputket, jakoputki jne.). Tarkasta pakokaasujärjestelmä halkeamien, vuotojen ja korroosion varalta. Kiristä tai vaihda osat tarvittaessa.

Tarkasta, onko pakokaasujärjestelmässä hiili- tai nokijäämiä, sillä ne ovat merkki pakokaasuvuodoista.

Jos pakokaasujärjestelmän osissa ilmenee vikoja, vaihda kyseiset osat uusiin, sillä muutoin pakokaasua voi vuotaa tai vettä voi päästä moottorin ja aluksen sisään.

## Ilmanotto

### ⚠ VAROITUS

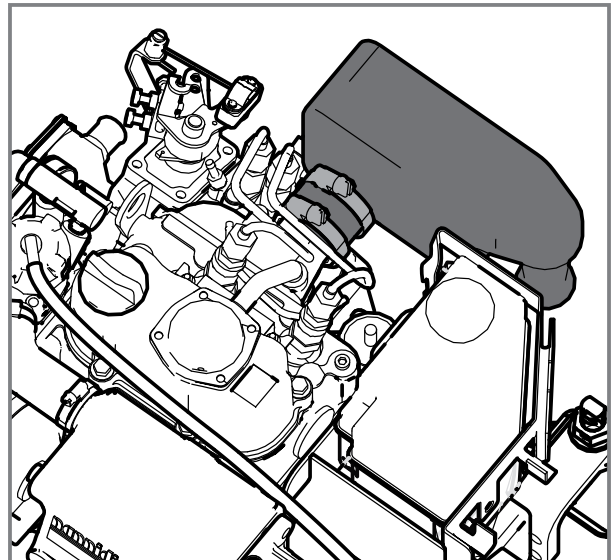
Suorita nämä toimenpiteet moottorin ollessa pysähdyksissä ja kylmä. Varmista, ettei imuputkistoon pääse pölyä tai likaa.

Ilmansuodatin vähentää ilmanottoa aiheutuvaa melua ja estää hiukasten pääsyn imuputkistoon.

Moottorin luotettavuus ja suorituskyky riippuu mm. imuilman määrästä ja lämpötilasta.

Ilmansuodattimen tarkastaminen:

1. Irrota kiinnikkeet ja poista suodatin.
2. Puhdista suodattimen sisäpuoli kuivalla paineilmalla.
3. Jos ilmansuodatin on vaurioitunut, vaihda se uuteen.
4. Aseta suodatin paikalleen ja kiinnitä kiinnikkeet. Varmista, että kiinnikkeet ovat riittävän tiukalla, mutta eivät vaurioita suodatinta.



# Polttoainejärjestelmä

## ⚠ VAARA

\* Sammuta moottori ja anna sen jäähtyä ennen polttoaineen tankkaamista tai polttoainejärjestelmälle tehtävien töiden suorittamista.

## ⚠ VAROITUS

\* Polttoaine on palavaa ja se voi olla vaarallista. Kuumille pinnoille tai kipinöiden lähelle läikkyvä polttoaine voi syttyä palamaan.

\* Älä astu ruiskutusputkien päälle. Varmista aina, ettei niissä ole vaurioita.

## ⚠ HUOMAUTUS

Huolehdi hyvästä puhtaudesta polttoainejärjestelmälle tehtäviä töitä suorittaessasi. Ruiskutusjärjestelmään ei saa päästä epäpuhtauksia. Varmista, ettei polttoainetta läiky letkuihin.

**HUOMAA:** Kaikki polttonesteen ruiskutusjärjestelmälle suoritettavat työt on teetettävä valtuutetulla Nanni-mekaanikolla.

Tarkasta polttoainejärjestelmän osien (letkut, suodatin, kiinnitykset jne.) kunto säännöllisesti. Vaihda se, jos se on vaurioitunut.

# Polttoainejärjestelmän toiminta

Polttoaine pumpataan säiliöstä polttoaineensyöttöpumpun avulla ja ruiskutetaan polttokammioon ruiskutuspumppun avulla. Polttoainesuodatin sijaitsee syöttöpumpun ja ruiskutuspumppun välissä.

Ruiskutuspumppu syöttää enemmän polttoainetta kuin palamiseen tarvitaan. Palamaton polttoaine ruiskutetaan takaisin säiliöön ylivirtausputken kautta.

## ⚠ HUOMAUTUS

Ruiskutuspumppu on erittäin tarkka yksikkö. Veden pääsy polttoainejärjestelmään aiheuttaa mittavia toimintahäiriöitä ruiskutuspumppulle ja koko polttoainejärjestelmälle.

Polttoaineen esisuodatin ja vedenerotin on asennettava polttoainesäiliön ja moottorin polttoainesuodattimen väliin. Esisuodatin on asennettava mahdollisimman lähelle moottorin polttoainesuodatinta. Sitä ei saa koskaan asentaa moottoriin, sillä tärinä vaikuttaa veden/polttoaineen erotusprosessiin.

Jos polttoainesäiliö sijaitsee moottorin ruiskutuspumppun alapuolella, esisuodattimen ja moottorin syöttöpumpun väliin on asennettava ylimääräinen sähkötoiminen polttoaineen syöttöpumppu.

## Polttoainevaatimukset

Käytä vain kappaleessa **TEKNISET TIEDOT** mainittuja polttoainelaatujia. Muunlaatuiset polttoaineet voivat kasvattaa polttoaineen kulutusta ja aiheuttaa toimintahäiriöitä, mikä lyhentää moottorin käyttöikää.

Polttoaineen lisäaineiden käyttö voi heikentää moottorin suorituskykyä tai vaurioittaa moottoria.

Varmista ennen moottorin käynnistystä, että polttoainemäärä on vähimmäismäärän yläpuolella. Jos polttoainemäärä on liian alhainen, lisää polttoainetta enimmäismäärään saakka. Älä täytä liikaa.

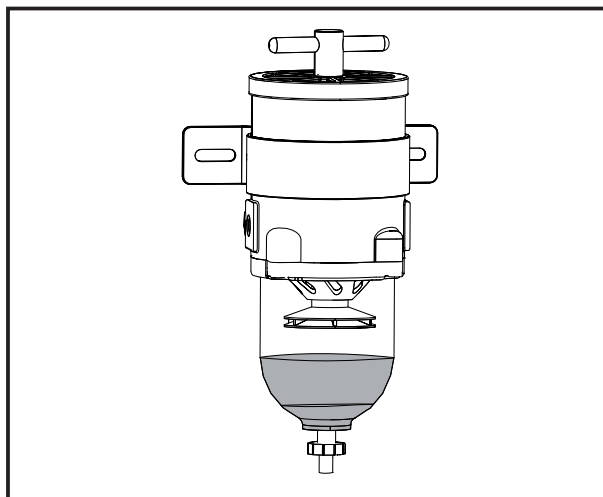
Käytä sihtiä polttoainesäiliötä täytessäsi. Polttoaineessa oleva lika ja pöly voivat aiheuttaa toimintahäiriöitä polttoaineen ruiskutusjärjestelmässä.

Jos alusta ei käytetä pidempään aikaan, täytä säiliö enimmäismäärään saakka.

## Polttoaineen esisuodatin

Polttoaineen esisuodatin on lisävaruste eikä se kuulu moottorin toimittussisältöön. Esisuodattimen malli voi vaihdella aluksesta riippuen.

**HUOMAA:** Tyhjennä vesi esisuodattimesta useita tunteja moottorin sammuttamisen jälkeen.

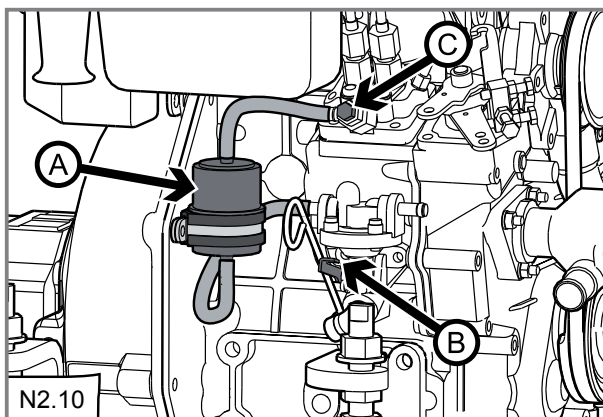


1. Sulje polttoainesäiliön polttoainehana.
2. Aseta polttoaineen esisuodattimen alle astia. Tyhjennä vesi ja poista epäpuhtaudet venttiilin/tulpan avulla.
3. Kiristä venttiili/tulppa, kun vesi on laskettu ulos.
4. Tarkasta suodatinelementti ja vaihda se tarvittaessa uuteen.
5. Avaa polttoainehana.
6. Jos suodatinelementti on vaihdettu, ilmaa polttoainejärjestelmä. Käynnistä moottori ja tee tarkastus vuotojen varalta.

## Polttoainesuodattimen vaihtaminen

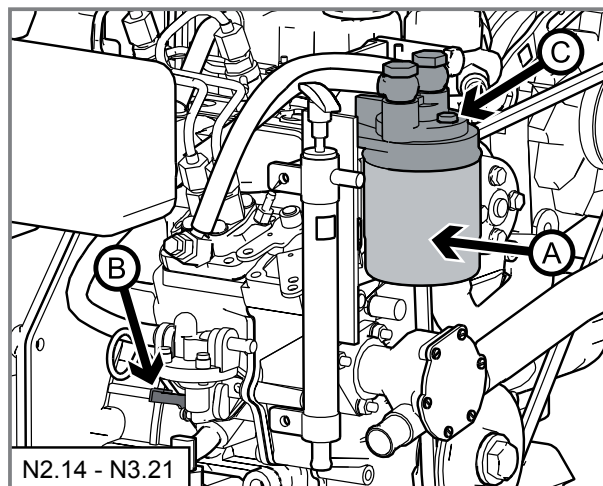
**HUOMAA:** Älä täytä uuteen suodattimeen polttoainetta ennen kokoonpanoa.

### MOOTTORIMALLI N2.10:



1. Sulje polttoainehana. Puhdista suodattimen kannatin.
2. Varo, ettei polttoainetta pääse vuotamaan. Purista polttoaineen syöttöputki kiinni läheltä suodatinta.
3. Irrota letkut. Puhdista se.
4. Irrota polttoainesuodatin **A**.  
. Laita muovipussi suodattimen päälle moottorin vuotojen välttämiseksi.
5. Aseta uusi polttoainesuodatin paikalleen siten, että polttoainesuodattimen kotelossa oleva nuoli osoittaa polttoaineen virtaussuuntaan. Liitä putket takaisin polttoainesuodattimeen.
6. Irrota kiinnikkeet letkuista.
7. Avaa polttoainehana ja ilmaa polttoainejärjestelmä.

### MOOTTORIMALLIT N2.14 JA N3.21



1. Sulje polttoainehana. Puhdista suodattimen kannatin.
2. Laita muovipussi suodattimen päälle moottorin vuotojen välttämiseksi.
3. Irrota polttoainesuodatin **A**.  
Käytä tarvittaessa suodatinavainta.
4. Tarkasta ja puhdista suodattimen kannattimen tiivistepinta. Laita tiivisteseen kerros polttoainetta.
5. Ruuvaa uutta suodatinta käsin, kunnes tiiviste koskettaa vastinpintaa. Ruuvaa vielä puoli kierrosta.
6. Avaa polttoainehana ja ilmaa polttoainejärjestelmä.

## Ilmaaminen

Polttoainejärjestelmä on ilmattava:

- Polttoainejärjestelmän huoltotöiden jälkeen.
- Jos polttoainesäiliö on tyhjenetty.
- Jos moottoria ei ole käynnistetty pitkään aikaan.

Polttoainejärjestelmän, **JOSSA EI OLE** sähköpumppua, ilmaaminen:

1. Täytä polttoainesäiliö täyteen. Avaa polttoainehana.
2. Avaa ilmausruuvi **C**. Pidä kangasliinoja ilmausruuvin ympärillä.
3. Pumppaa polttoainetta vivun avulla **B**, kunnes ilmausruuvista virtaavassa polttoaineessa ei ole enää ilmakuplia.

**HUOMAA:** Jos vipua on liian hankala käyttää, käännä kampiakselia hieman.

4. Jatka pumppaamista ja kiristä samalla ilmausruuvia.
5. Pumppaa vielä muutama kerta ja pohjusta järjestelmä.

Polttoainejärjestelmän, **JOSSA ON SÄHKÖTOIMINEN POLTTOAINEEN LISÄSYÖTTÖPUMPPU, ILMAAMINEN:**

1. Täytä polttoainesäiliö täyteen. Avaa polttoainehana.
2. Avaa ilmausruuvi **C**. Pidä kangasliinoja ilmausruuvin ympärillä.
3. Käynnistä moottori 5-10 sekunnin ajaksi ja anna sähkötoimisen polttoaineen syöttöpumpun pumpata polttoainetta ruiskutuspumppuun.
4. Pumppaa polttoainetta vivun avulla **B**, kunnes ilmausruuvista virtaavassa polttoaineessa ei ole enää ilmakuplia.
5. Jatka pumppaamista ja kiristä samalla ilmausruuvia.
6. Pumppaa vielä muutama kerta ja pohjusta järjestelmä.

### **HUOMAUTUS**

Älä päästä kaikkea polttoainetta valumaan suodattimeen.





# Voitelujärjestelmä

## ⚠ VAARA

Suorita nämä toimenpiteet moottorin ollessa pysähdyksissä ja kylmä. Poista avain ja kytke pääkytkin pois päältä tahattoman käynnistämisen estämiseksi. Kuuma öljy ja kuumat pinnat voivat aiheuttaa palovammoja.

## ⚠ HUOMAUTUS

\* Älä käytä moottoria, jos öljyn kampakammio oli täytynyt liian täyteen. Valuta öljyä ulos, jos sitä on täytetty liikaa.

\* Huomioi suositeltu vaihteisto-öljyn tyyppi.

**HUOMAA:** Jos moottori on uusi tai kunnostettu, öljy ja öljynsuodattimet on vaihdettava 20 käyttötunnin jälkeen. Käytä kappaleessa **TEKNISET TIEDOT** mainittuja öljyalaatuja. Takuuvaatimukset voidaan hylätä, jos moottorissa on käytetty sopimattomia öljyalaatuja.

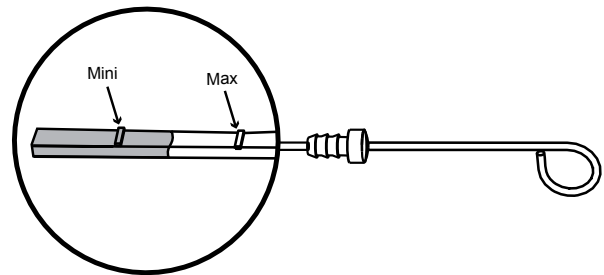
Viskositeetti voidaan sovittaa ilmasto-olosuhteista riippuen.

## Öljymäärä - moottori-öljyn lisääminen

Tarkasta moottorin ja vaihteiston öljymäärä ennen moottorin käynnistämistä. Varmista aina, että määrä on turvallisella alueella.

Öljymäärän on oltava mittatikkuun merkityllä alueella Mini- ja Max-merkintöjen välillä. Öljymäärän tarkastaminen:

1. Poista ja puhdista mittatikku.
2. Aseta mittatikku takaisin paikalleen ja poista se sitten uudelleen. Tarkasta, että öljymäärä on Mini- ja Max-merkintöjen välillä.



Jos määrä on liian alhainen, poista öljynsuodattimen tulppa ja lisää öljyä hitaasti. Odota muutama minuutti ennen öljymäärän tarkastamista, jotta öljy valuu alas öljypohjaan.

## ⚠ HUOMAUTUS

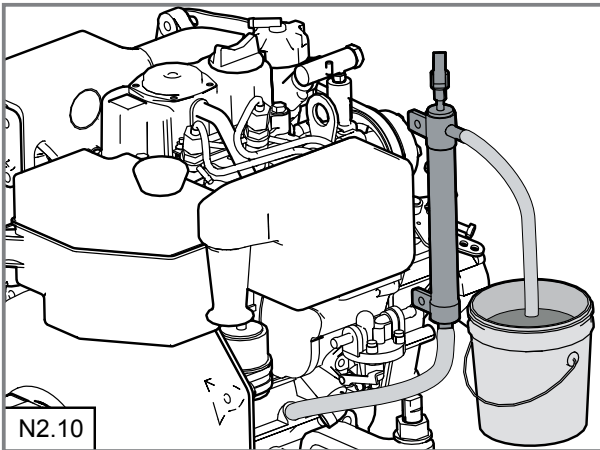
Älä täytä kampakammiota mittatikkuun merkityn enimmäismäärän merkinnän yläpuolelle. Älä käytä moottoria, jos öljymäärä on Mini-merkinnän alapuolella tai Max-merkinnän yläpuolella.

**HUOMAA:** Tyhjennä vanha moottoriöljy kokonaan ennen uuden öljyn lisäämistä. Älä koskaan sekoita erityyppisiä öljyjä.

## Moottoriöljyn tyhjentäminen

1. Käynnistä moottori ja anna sen lämmetä muutama minuutti, jotta öljyn imeminen on helpompaa.
2. Sammuta moottori ja poista avain paneelista.
3. Liitä tyhjennysletku tyhjennyspumppuun ja aseta astia tyhjennysletkun alle.

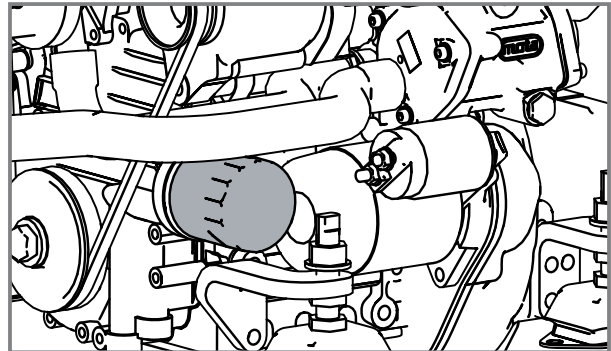
**HUOMAA:** Moottorimallissa N2.10 öljypumppu on liitettävä mittatikun porttiin.



4. Ime kaikki öljy ulos öljyntyhjennyspumppun avulla. Poista tyhjennysletku ja lukitse pumppu.
5. Moottorimallissa N2.10 irrota öljypumppu ja aseta mittatikku takaisin paikalleen.

## Öljynsuodattimen vaihtaminen

Vaihda öljynsuodatin aina, kun moottoriöljy tyhjenetään.



1. Irrota öljynsuodatin suodatinaivaimen avulla. Kierrä suodatinta vastapäivään. Irrota tiiviste.
2. Puhdista vastinpinta, jotta epäpuhtauksia ei pääse moottoriin.
3. Laita uuteen tiivisteeseen kerros öljyä. Ruuvaa uusi suodatin ja uusi tiiviste kiinni käsin. Kun tiiviste koskettaa vastinpintaa, kierrä suodatinta vielä puoli kierrosta.
4. Täytä oikea määrä uutta öljyä. Tarkasta mahdolliset vuodot ja öljymäärä.
5. Käynnistä moottori ja anna sen käydä muutama minuutti joutokäynnillä. Varmista, että öljynpaineen varoitusvalo sammuu.
6. Sammuta moottori ja odota, että moottori jäähtyy, ja tarkasta sitten öljymäärä. Lisää tarvittaessa. ■

# Jäähdytysjärjestelmä

## Yleiskatsaus

Jäähdytysjärjestelmä jäähdyttää moottoria oikean käyttölämpötilan säilyttämiseksi ja ylikuumenemisen estämiseksi. Joissakin moottoreissa jäähdytysjärjestelmä jäähdyttää myös polttoainetta, öljyä ja imuilmaa. Jäähdytysjärjestelmään kuuluu kaksi piiriä:

- **JÄÄHDYTYSNESTEEN PIIRI** on moottorin sisäinen jäähdytysjärjestelmä. Se on suljettu piiri, jossa jäähdytysneste virtaa ja jäähdyttää moottoria.
- **RAAKAVEDEN PIIRI** jäähdyttää jäähdytysainetta raakaveden avulla lämminvaihtimen kautta. Nanni-moottoreissa on vakiovarusteena lämmönvaihdin, joka jäähdyttää jäähdytysnesteen pohjaventtiilin kautta saatavan raakaveden avulla. Kölin jäähdytysjärjestelmää voi käyttää myös jäähdytysnesteen jäähdyttämiseen.

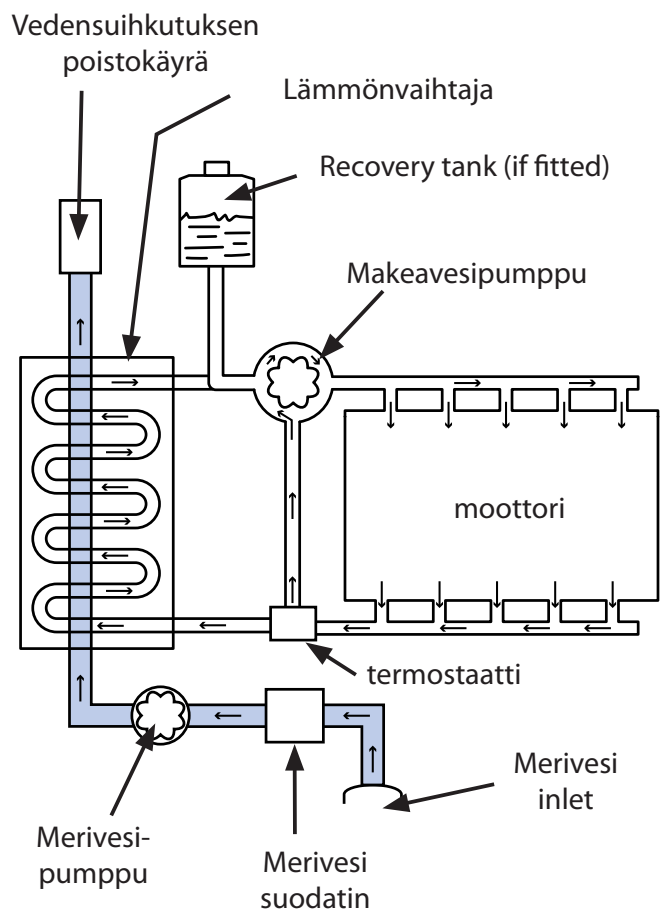
Termostaatti pitää jäähdytysnesteen käyttölämpötilan oikeana ja tasaisena. Termostaatin ohjaus päästää jäähdytysnestettä lämmönvaihtimeen vain, kun moottori saavuttaa tietyn lämpötilan.

### ⚠ HUOMAUTUS

- \* Moottori, joissa on lämmönvaihdin, eivät sovellu yhteen kölin jäähdytysjärjestelmän kanssa.
- \* Jos moottoria käytetään ilman jäähdytysnestettä tai raakavedensyöttöä edes muutaman sekunnin ajan, moottori voi vaurioitua käyttökelvottomaksi.

## Jäähdytysjärjestelmän toimintaperiaate

Moottorin ja lämmönvaihtimen toimintaperiaate:



# Jäähdytysneste

## **⚠ HUOMAUTUS**

\* Käytä aina jäähdytysnestettä, jossa on 50 % jäätyminenestoainetta ja korroosionsuoja-ainetta sekä 50 % puhdasta vettä. Jäätyminenestoaine suojaa moottorin sisäosaa korroosiolta.

\* Tätä sekoitusta on käytettävä ympäri vuoden, vaikka jäätymisvaaraa ei ole.

\* Älä koskaan täytä jäähdytysjärjestelmää pelkällä vedellä.

## **PUHDAS VESI**

Sekoita jäätyminenestoaineeseen puhdasta, pehmeää vettä, tislattua vettä tai hanavettä. Luonnonvesi sisältää yleensä mineraaleja ja joskus myös suolaa, mitkä voivat hapettaa metallia ja nopeuttaa korroosioprosessia.

## **JÄÄTYMISENESTOAINNE**

Älä käytä huonolaatuista jäätyminenestoainetta. Jäätyminenestoaineen pääainesosat voivat syövyttää metallia, ja sen vuoksi jäähdytysjärjestelmä voi ruostua pitkällä aikavälillä. Huonolaatuisessa jäätyminenestoaineessa on liian vähän korroosionsuoja-ainetta. Aineen teho heikkenee myös, jos sitä laimennetaan vedellä.

Valitse lisäaine, joka ei vaurioita jäähdytysjärjestelmän materiaaleja. Älä sekoita erilaisia lisäaineita, sillä siitä voi aiheutua kemiallisia reaktioita ja niiden myötä toimintahäiriöitä.

## **VESIBOILERI**

Vesiboilerin voi liittää moottorin jäähdytysjärjestelmään.

Jos boileri on moottorin yläpuolella, boilerin yläpuolelle on asennettava ylimääräinen talteenottosäiliö.

Jäähdytysnesteen määrä on sovitettava vesiboilerin mallista riippuen siten, että se täyttää jäähdytysjärjestelmän kokonaan.

## **JÄÄHDYTYSNESTEEN LAAJENEMINEN**

Kuumentuessaan jäähdytysneste laajenee ja sen tilavuus kasvaa.

Laajeneminen voidaan tasasta moottoriin asennetun talteenottosäiliön avulla.

## **⚠ HUOMAUTUS**

Moottoriin asennettua talteenottosäiliötä ei saa siirtää sen alkuperäisestä sijainnista ilman etukäteen saatavaa Nanni Industries S.A.S. Francen suostumusta.

## Jäähdytysnestemäärä

### ⚠ VAARA

Älä avaa jäähdytysnesteen täyttöaukon korkkia tai mitään jäähdytysjärjestelmän tulppia moottorin ollessa käynnissä tai lämmin. Muutoin niistä voi tulla ulos höyryä tai kuumaa nestettä.

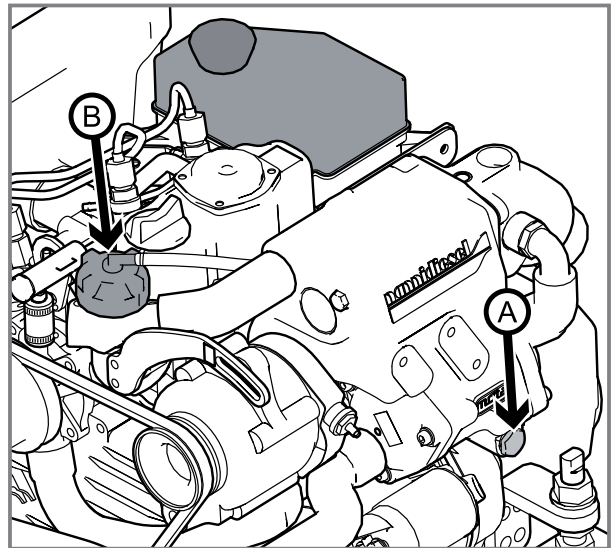
Tarkasta jäähdytysnestemäärä aina ennen moottorin käynnistämistä.

1. Sammuta moottori ja poista avain paneelista.
2. Käännä jäähdytysnesteen täyttöaukon korkki hitaasti ensimmäiseen vastakohtaan saakka, anna paineen poistua järjestelmästä ja poista sitten korkki kokonaan.
3. Jäähdytysnestemäärän on oltava täyttöistukan alareunan ja tasomerkin välillä.
4. Täytä vain puhdasta vettä.
5. Aseta jäähdytysnesteen täyttöaukon korkki takaisin paikalleen.
6. Tarkasta talteenottosäiliön (jos varusteena) jäähdytysnestemäärä. Sen on oltava talteenottosäiliön Min- ja Max-merkintöjen välillä. Lisää tarvittaessa puhdasta vettä.

**HUOMAA:** Talteenottosäiliön (jos varusteena) Min- ja Max-tasot eivät osoita oikeaa jäähdytysnestemäärää.

## Jäähdytysjärjestelmän tyhjentäminen

1. Sammuta moottori ja poista avain paneelista.
2. Aseta lämmönvaihtimen tyhjennysaukon **A** alle astia jäähdytysnesteen keräämistä varten.



3. Poista korkki **A** ja tulppa **B**.
4. Valuta kaikki jäähdytysneste ulos. Tyhjennä myös talteenottosäiliö ja letkut.
5. Aseta letku lämmönvaihtimen täyttöporttiin **B**. Huuhtele puhtaalla vedellä, kunnes tyhjennysportin kautta virtaava vesi on puhdasta.
6. Aseta tulppa takaisin paikalleen ja täytä oikea määrä jäähdytysnestettä.

# Jäähdytysneste - täyttäminen

## ⚠ HUOMAUTUS

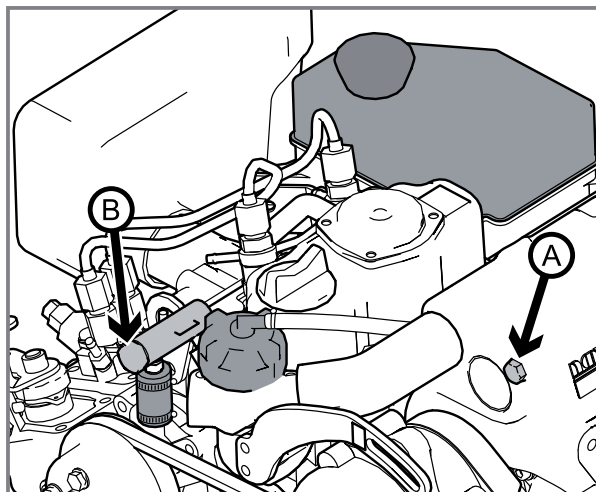
\* Jos boileri on liitetty moottoriin, noudata boilerin valmistajan toimittamia täyttöohjeita. Jos boileri on aluksessa moottorin yläpuolella, täytä jäähdytysnesteellä ensin lämmönvaihdin, boileri ja sitten boilerin yläpuolella oleva talteenottosäiliö.

\* Varmista, ettet täytä lämmönvaihtimeen liikaa jäähdytysnestettä. Jos jäähdytysnestettä täytetään liikaa, osa siitä on valutettava ulos.

Sekoita jäätymisenestoaine ja vesi puhtaassa astiassa ennen seoksen täyttämistä lämmönvaihtimeen. Jäähdytysnesteessä ei saa olla ollenkaan pölyä. Täytä lämmönvaihdin hitaasti, jotta jäähdytysjärjestelmään ei pääse ilmaa.

Lisätietoja lämmönvaihtimen jäähdytysnestemäärästä on kappaleessa **TEKNISET TIEDOT**. Kölin jäähdytysjärjestelmää tai vesiboileria käytettäessä jäähdytysnestemäärä on sovitettava putkien pituuden ja säiliön tilavuuden mukaan.

Jäähdytysjärjestelmän täyttäminen:



1. Poista tulpat **A B**.
2. Poista jäähdytysnesteeseen täyttöaukon korkki ja täytä jäähdytysnestettä lämmönvaihtimeen.
3. Aseta tulpat paikoilleen, kun jäähdytysnestettä tulee ulos tyhjennysaukoista.
4. Täytä lämmönvaihtimeen oikea määrä jäähdytysnestettä.
5. Aseta jäähdytysnesteeseen täyttöaukon tulpat paikoilleen ja lisää tarvittaessa jäähdytysnestettä talteenottosäiliöön.
6. Käynnistä moottori ja anna sen käydä muutama minuutti joutokäynnillä.
7. Sammuta moottori. Odota muutama minuutti ja tarkasta sitten jäähdytysnestemäärä. Lisää tarvittaessa.



# Raakavesijärjestelmä

## ⚠ VAARA

Kun alus on vedessä, vettä voi päästä alukseen vesirajassa sijaitsevien osien kautta. Sulje raakavesiventtiili (jos varusteenä) tai estä veden pääsy ennen raakavesijärjestelmälle tehtävien töiden aloittamista.

Raakavesijärjestelmällä jäähdytetään moottorin jäähdytysnestettä ja pakokaasua.

Raakavesi johdetaan lämmönvaihtimeen moottorin raakavesipumpun avulla. Raakavesi lasketaan pois pakoputken kautta, jolloin se sekoittuu pakokaasuun.

Kölin jäähdytysjärjestelmälle suunnitelluissa moottoreissa ei yleensä ole raakavesijärjestelmän osia (raakavesiventtiili, lämmönvaihdin jne.). Kölin jäähdytysjärjestelmässä jäähdytysnesteen lämpö häviää jäähdytysnesteen kulkiessa runkoon asennettujen putkien läpi.

**HUOMAA:** Jos raakavesijärjestelmä on vaarassa jäätyä, se on tyhjennettävä.

# Takaiskuventtiili

## ⚠ VAARA

Sulje pohjaventtiili ennen takaiskuventtiilille tehtävien töiden aloittamista.

**HUOMAA:** Takaiskuventtiilin käyttö on pakollista, jos pakoputki on vesirajan alapuolella täydessä kuormituksessa tai alle 200 mm vesirajan yläpuolella. Takaiskuventtiili on pakollinen kaikissa purjeveneissä ja kun on olemassa vaara, että vettä pääsee moottoriin.

Takaiskuventtiili estää raakaveden pääsyn sylintereihin raakavesi-/pakokaasujärjestelmän kautta.

Jotta takaiskuventtiili toimii oikein, se on puhdistettava kaksi kertaa vuodessa tai vuotojen yhteydessä.

## ⚠ HUOMAUTUS

Takaiskuventtiilin epäasianmukainen käyttö aiheuttaa veden pääsyn moottoriin.

Tarkasta se säännöllisesti ja puhdista se valmistajan antamien ohjeiden mukaan.



# Raakavesipumpun siipipyörä

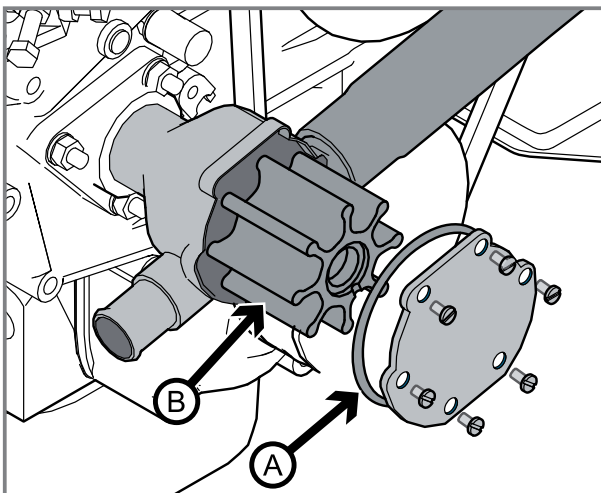
## ⚠ HUOMAUTUS

Jos moottoria on käytetty ilman raakaveden syöttöä, tarkasta raakavesipumpun siipipyörä. Vaihda se tarvittaessa.

Raakavesipumpun siipipyörä on olennainen osa moottoria. Se ja tiiviste on vaihdettava säännöllisesti. Kulunut siipipyörä voi haljeta ja vaurioittaa jäähdytysjärjestelmää. Pidä aluksessa aina mukana vara-siipipyörää.

**HUOMAA:** Raakavesipumpun siipipyörän käyttöikä vaihtelee käyttöolosuhteista riippuen.

Siipipyörän poistaminen:



1. Sammuta moottori, poista avain paneelista ja sulje pohjaventtiili.
2. Poista raakavesipumpun suojuus.
3. Irrota tiiviste.

4. Merkitse neopreenisiipipyörän paikka pumpun sisäpuolelle, jotta voit asentaa sen takaisin oikeaan paikkaan.

5. Irrota siipipyörä varovasti irrottimen avulla.

6. Tarkasta siipipyörä. Tarkasta siipipyörä vaurioituneiden, haljonneiden, rikkoutuneiden, puuttuvien ja taittuneiden siipien varalta. Vaihda vaurioitunut siipipyörä uuteen. Puhdista ja tyhjennä raakavesijärjestelmä, jos siipipyörästä puuttuu osia.

7. Tarkasta suojuus ja tiiviste korroosion ja vaurioiden varalta. Vaihda ne uusiin, jos ne ovat vaurioituneet.

8. Voitele pumpun ja suojuksen sisäpuoli vedenkestävällä, kumille tarkoitetulla rasvalla.

9. Asenna siipipyörä. Jos asennat vanhan siipipyörän takaisin, aseta se samaan paikkaan ja käytä apuna tekemääsi merkkiä. Pyöritä siipipyörää moottorin pyörimissuuntaan. Voitele siipipyörä vedenkestävällä, kumille tarkoitetulla rasvalla.

10. Aseta tiiviste ja suojuus pumpun koteloon.

11. Avaa pohjaventtiili ja tarkasta mahdolliset vuodot. Pohjusta raakavesijärjestelmä lisäämällä tarvittaessa vettä raakavesisuo-dattimen läpi.

12. Käynnistä moottori ja tee tarkastus vuotojen varalta.

## Raakavesisuodattimen puhdistaminen

Raakavesisuodatin on sovitettava raakaveden ottokohdan ja moottorin raakavesipumpun väliin.

Esisuodattimen malli voi vaihdella aluksesta riippuen, sillä raakavesisuodatin on lisävaruste eikä se kuulu moottorin toimitussisältöön. Nämä ohjeet ovat ainoastaan viitteellisiä.

Tarkasta raakavesisuodatin useammin kuin huoltoaikataulussa on mainittu, jos alusta käytetään vedessä, jossa on paljon likaa ja/tai mutaa.

Suodattimen puhdistaminen:

1. Sammuta moottori, poista avain paneelista ja sulje pohjaventtiili.
2. Tarkasta raakavesisuodattimen kunto. Jos siihen on muodostunut jäämiä, ruuvaa suojuksen irti ja irrota tiiviste.
3. Poista kaikki epäpuhtaudet. Huuhtelee suodatin ja kotelo puhtaalla vedellä ja tarkasta tiivisteiden kunto.
4. Aseta kaikki osat takaisin paikoilleen ja avaa pohjaventtiili. Käynnistä moottori ja tee tarkastus vuotojen varalta.

**HUOMAA:** Kun alus ei ole vedessä, tarkasta, ettei muta tai levä ole tukkinut runkoläpivienttiä.

## Raakavesijärjestelmä - tyhjennys

### VAROITUS

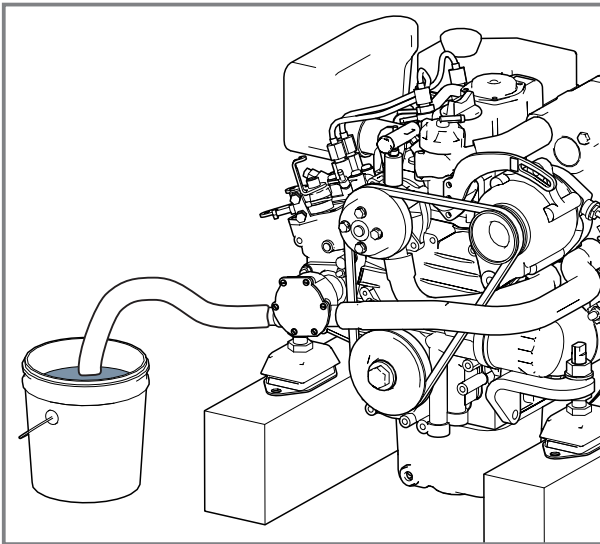
Suosittelimme suorittamaan nämä toimenpiteet, kun alus on nostettu maalle. Jos alusta ei voida nostaa vedestä, sulje pohjaventtiili ja estä veden pääsy alukseen tarvittavin keinoin.

1. Sammuta moottori, poista avain paneelista ja sulje pohjaventtiili.
2. Poista raakavesipumpun suojuksen.
3. Poista raakavesisuodattimen suojuksen ja tiiviste.
4. Jos aluksessa on takaiskuventtiili, tyhjennä se valmistajan suositusten mukaisesti.
5. Tyhjennä vaihteiston voitelupiirin jäähdytysjärjestelmä (jos varusteena).
6. Tyhjennä vesilukko sekä kaikki muut laitteet raakavesi- ja pako-kaasujärjestelmiin liitetyt laitteet.
7. Asenna osat takaisin paikoilleen oikein. Avaa pohjaventtiili ja tarkasta mahdolliset vuodot. Pohjusta raakavesijärjestelmä lisäämällä tarvittaessa vettä raakavesisuodattimen läpi.

# Raakavesijärjestelmä - puhdistaminen ja likaantumisen ehkäiseminen

Raakavesijärjestelmä on huuhdeltava puhtaalla vedellä, jotta siihen ei muodostu likakertymiä tai suolakiteitä. Lisäksi se on suojattava korroosiolta ja jäätymiseltä pitkäksi aikaa varastoitaessa.

1. Sammuta moottori ja sulje pohjaventtiili.
2. Irrota raakavesisuodattimen poistopuolen letku.
3. Aseta vapaa letku astiaan, johon on täytetty puhdasta vettä. Varmista, että säiliö on riittävän suuri, sillä vesi ei saa loppua raakavesisuodattimesta.



4. Varmista, ettei ketään ole moottorin, potkurin tai pakokaasun poistoaukon lähellä. Aseta vipu vapaa-asentoon ja käynnistä moottori.

5. Anna moottorin käydä muutamia minuutteja joutokäynnillä. Lisää tarvittaessa puhdasta vettä säiliöön.

6. Sammuta moottori.

7. Täytä säiliöön moottorin jäähdytysnesteseosta (50 % puhdasta vettä ja 50 % jäätyminenestoainetta).

8. Käynnistä moottori ja anna sen käydä joutokäynnillä. Lisää niin paljon jäähdytysnestettä, että se täyttää raakavesijärjestelmän.

9. Sammuta moottori ennen säiliön tyhjentymistä.

10. Liitä letku takaisin paikalleen.

11. Tyhjennä jäähdytysneste ennen moottorin seuraavaa käyttökerää.

## ⚠ **VAROITUS**

Tarkasta mahdolliset vuodot ennen moottorin seuraavaa käynnistyskertaa.

## ⚠ **HUOMAUTUS**

Kun valmistelet moottoria pitkäaikaiseen säilytykseen ja moottori on vaarassa jäätyä, tyhjennä kaikki vesi raakavesijärjestelmästä.

# Sähköjärjestelmä

## **⚠ VAARA**

Sammuta moottori ja kytke pääkytkimet pois päältä virran katkaisemiseksi ennen sähköjärjestelmälle tehtävien töiden suorittamista. Eristä rannan virta kaikista moottoriin asennetuista lisälaitteista.

## **⚠ HUOMAUTUS**

Pääkytkimen on aina oltava kytkettynä päälle, kun moottori on käynnissä. Älä irrota vaihtovirtageneraattorin ja akun välistä johtoa, kun moottori on käynnissä.

## Johdot ja liittimet

Tarkasta, että sähköjohdot ja liittimet ovat kuivia ja hyväkuntoisia.

Moottorin jatkojohdon on aina oltava etäällä vesisuojusta ja oikein kiinnitetty mahdollisimman korkealle ruumaan. Vaihda se, jos se on vaurioitunut.

Kiristä kaapelien liitännät ja voitele ne sopivalla rasvalla.

## Sulakkeet

Moottorin sähköjärjestelmä on suojattu sähköiseltä ylikuormitukselta sulakkeiden avulla.

Jos sähköjärjestelmä ei toimi, moottori ei käynnisty tai mittaristo ei toimi, sulake voi olla palanut.

Selvitä vian syy ennen sulakkeen vaihtamista. Pidä aluksessa aina varasulakkeita. Vaihda palanut sulake samanarvoiseen sulakkeeseen.

## **⚠ HUOMAUTUS**

Jos vaihdettu sulake palaa, sähköjärjestelmässä on häiriö. Älä käynnistä moottoria (lukuun ottamatta hätätilanteita), vaan ota yhteyttä Nanni-korjaamoon.

## Metallirunkoiset alukset

Metallirunkoisten alusten moottoreissa on yleensä kaksinapainen sähköjärjestelmä. Näin ollen moottori voidaan eristää sähköisesti aluksen sähkömaadoituksesta.

Lisätietoja saa Nanni-jälleenmyyjältä.

# Akku

## ⚠ VAARA

\* Älä kosketa akun elektrolyyttiä. Laimennettu rikkihappoliuos aiheuttaa palovammoja ja polttaa reikiä vaatteisiin. Jos näin käy, pese happo pois runsaalla määrällä puhdasta vettä ja hakeudu välittömästi lääkäriin.

\* Irrota akun johdot ennen metallirungon juottamista.

Lue aina valmistajan suositukset ennen akulle tehtävien töiden suorittamista.

Pidä akku puhtaana ja kuivana. Akun ja sen liitäntöjen hapettuminen tai epäpuhtauksien kertyminen niihin voi aiheuttaa oikosulkuja, jännitehäviöitä ja ennenaikaisen purkautumisen, etenkin märissä sääolosuhteissa. Puhdista akun liittimet messinkiharjalla.

Käytä puhdasta vettä elektrolyyttitason täyttämiseksi oikealle tasolle. Noudata ensisijaisesti akun valmistajan toimittamia täyttöohjeita. Jos akun elektrolyyttitasoa ei voi säätää (huoltovapaa akkutyyppi), älä käytä tai lataa akkua, jos nestetaso on vähimmäisrajan alapuolella.

Kun lisäät elektrolyyttiä, ruuvaa tulpat auki, mutta jätä ne paikoilleen reikiin.

## ⚠ VAARA

Tarkista, että akkutila on tyhjenetty ja tuuletettu hyvin. Ladattaessa akku muodostaa vetyä, joka on erittäin herkästi räjähtävää.

Jos akku vaihdetaan uuteen, käytä akkua, joka vastaa määräyksiltään vanhaa akkua.

Jos lataat samanaikaisesti kahta erillistä akkua samalla vaihtovirtageneraattorilla, useimmissa moottoreissa voi käyttää eristintä. Ota yhteyttä valtuutettuun Nannijälleenmyyjään.

Moottoria varastoitaessa säädä akun elektrolyyttitaso ja varastoi akku kuivaan paikkaan. Lataa akku mahdollisimman usein, jotta sen käyttöikä olisi pitkä.

Kun **IRROTAT** käynnistyskaapeleita, irrota aina **ENSIN MIINUSJOHTO (-)** ja sitten **PLUSJOHTO (+)**.

Liitä aina **ENSIN PLUSJOHTO (+)** akun **PLUSNAPAAN (+)** ja sitten **MIINUSJOHTO (-)**.

## Vaihtovirtageneraattorin hihna

### ⚠ VAARA

Sammuta moottori ja poista avain ennen vaihtovirtageneraattorin hihnan käyttöä.

**HUOMAA:** Pidä aluksessa aina varahihnaa.

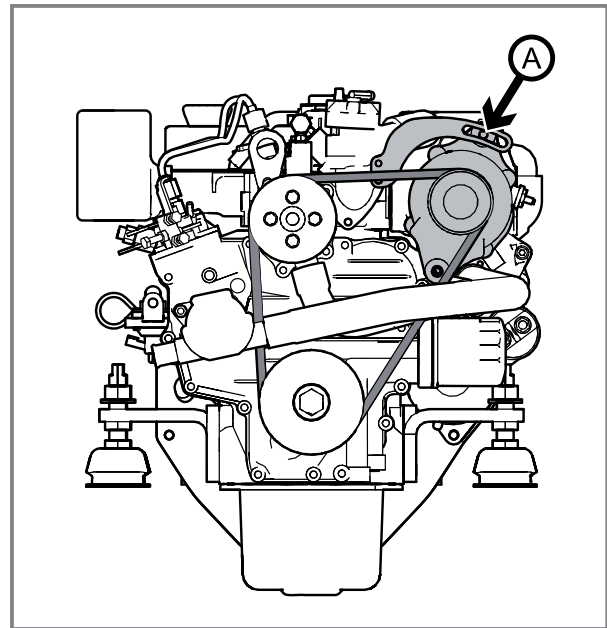
Vaihtovirtageneraattorin hihna liikuttaa sekä jäähdytysnestepumppua että vaihtovirtageneraattoria. Vaihtovirtageneraattorin hihna voidaan myös sovittaa.

Löystynyt tai vaurioitunut hihna voi aiheuttaa ylikuumenemisen tai se ei lataa vaihtovirtageneraattoria tarpeeksi. Liian kireä hihna voi vaurioittaa pumpun ja vaihtovirtageneraattorin laakereita.

Tarkasta hihna silmämääräisesti liiallisen kulumisen, rispaantumisen jne. varalta. Jos havaitset hihnassa vaurioita, vaihda se uuteen. Tarkasta, että se istuu hyvin pyörään.

Tarkasta myös hihnan kireys. Taipuman on oltava 8-10 mm, kun hihnaa painetaan käsin kahden pyörän välistä hihnan ollessa lämmin.

Hihnan kireyden säätäminen:



1. Sammuta moottori ja poista avain paneelista.
2. Irrota vaihtovirtageneraattorin asennuspultti ja vedä vaihtovirtageneraattoria ulos ja säädä hihnan taipuma.
3. Kiristä vaihtovirtageneraattorin asennuspultti.
4. Tarkista kireys muutaman käyttötunnin kuluttua.

# Korroosiosuoja

Korroosio voi vaurioittaa moottoria ja kaikkia aluksessa olevia vedelle ja höyrylle altistuvia metalliosia.

Kumulatiivista korroosiota on pääasiassa kahdenlaista: galvaaninen korroosio ja elektrolyyttinen korroosio. Molemmat korroosioprosessit johtuvat sähkövirrasta, joka virtaa metalliosien ja elektrolyytin, kuten veden, välillä.

## Galvaaninen korroosio

Galvaaninen korroosio on sähkökemiallinen reaktio, jossa syntyy sähkövirta vedelle altistuneiden erilaisten metallien välille. Sähkövirta syövyttää anodisempaa metallia.

Useat tekijät voivat pahentaa tätä vaikutusta, olivatpa ne kumulatiivisia tai eivät:

- Veden korkea suola- ja/tai mineraalipitoisuus.
- Veden korkea lämpötila (>25 °C).
- Suuri kulkunopeus tai voimakas virtaus.
- Merkittävä suhde-ero katodi- ja anodipintojen välillä.

Aluksen suojaamiseen galvaaniselta korroosiolta käytetään yleensä magnesiumin ja sinkin anodeja. Niiden luontaisen ominaisuutensa ansiosta ne kuluvat pois muiden metalliosien sijaan.

Tarkasta anodien kulumisen kolmen kuukauden välein ensimmäisen käyttövuoden aikana. Jos alus ankkuroidaan pidemmäksi aikaa muiden alusten lähelle tai satamaan, tarkasta anodien kulumisen useammin. Lisäkorroosiosuoja voi olla tarpeen, jos alus ankkuroidaan pidemmäksi aikaa.

Käyttöolosuhteista ja veden ominaisuuksista riippuen anodit voi olla tarpeen tarkastaa ja/tai vaihtaa useammin.

### HUOMAUTUS

Anodeja ei saa koskaan maalata tai vaurioittaa. Ne on vaihdettava heti, kun ne ovat kuluneet yli 50 %.



## Elektrolyyttinen korroosio

Elektrolyyttinen korroosio johtuu ulkopuolella muodostuvista DC-sähkövirroista, jotka kulkevat metalliosasta toiseen elektrolyytissä, kuten raakavedessä. Elektrolyyttistä korroosiota syntyy etenkin järjestelmän vuotovirroista, rannan virtajärjestelmistä ja DC-maadoitushäiriöistä.

Seuraukset ovat samat kuin galvanisessa korroosiossa. Galvaanisen korroosion suojaustoimenpiteet tehoavat kuitenkin vain osittain elektrolyyttiseen korroosioon.

Noudata aina seuraavia suosituksia moottorin suojaamiseksi elektrolyttiseltä korroosiolta:

- Sähkökaapeleista ei saa koskaan altistaa vedelle tai höyrylle. Ne on oltava kiinnitettynä eikä niissä saa olla mitään mekaanisia esteitä.
- Jos alus on kytketty rannan virtalähteeseen, suojamaadoitus ei saa olla aluksessa. Rannan virtalähteessä on aina oltava vikavirtakatkaisin.
- Rannan virtayksiköiden on oltava tarkoitettu merikäyttöön.
- Kaikki suojamaadoitusliittimellä varustetut laitteet, moottori ja anodit on liitettävä aluksen yleiseen maadoitukseen.

### ⚠ VAARA

Jos moottorissa on kaksina-painen sähköjärjestelmä, alun miinusnapaa ei saa koskaan liittää aluksen yleiseen maadoitukseen.

### ⚠ HUOMAUTUS

Sail Drive -malli SP60 on eristetty moottorista sähköisesti. Älä liitä Sail Drive -mallia SP60 yleiseen maadoitukseen, metalliosaan tai sähkölaitteeseen.

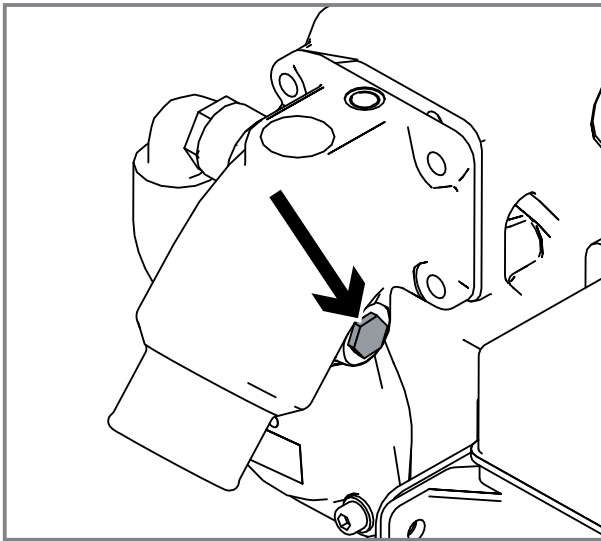
- Pääkytkin on liitettävä akun plusnapaan (+). Kytkin on kytkettävä pois päältä, kun alus ei ole käytössä, jotta virta katkaistaan kaikista laitteista.

### ⚠ VAROITUS

Älä koskaan kytke pois päältä akulla toimivaa korroosiosuojajärjestelmää.

## Moottorin anodi

Moottorin ja raakavesijärjestelmä suojaamiseksi korroosiolta moottorissa on sinkkianodi.



Huoltoaikataulussa mainitut huoltovälit ovat suosituksia. Käyttöolosuhteista ja raakaveden ominaisuuksista riippuen anodit voi olla tarpeen tarkastaa ja/tai vaihtaa useammin.

Anodin poistaminen:

### **VAROITUS**

Suorita nämä toimenpiteet moottorin ollessa pysähdyksissä ja kylmä.

1. Poista avain paneelistä.
2. Sulje pohjaventtiili.
3. Tyhjennä raakavesijärjestelmä.
4. Poista korkki, tiiviste ja anodi yhtenä kappaleena.
5. Poista epäpuhtaudet anodin pinnalta lasipaperilla ennen kulumisen määrittämistä. Älä käytä

pehmeää teräsharjaa, sillä se voi jättää epäpuhtauksia, jotka voivat nopeuttaa korroosiota.

6. Jos anodista on kulunut yli 50 %, vaihda anodi ja tiiviste.

Uuden anodin pituus on 16 mm.

### **HUOMAUTUS**

Ruuvaa anodin liitos takaisin kiinni ja avaa pohjaventtiili.

# Pitkäaikainen varastointi

Moottori on valmistettava ja suojattava ennen pitkäaikaista varastointia.

Lisätietoja tarvittavien toimenpiteiden suorittamisesta on kohdassa **HUOLTO**. Suosittelemme teettämään kaikki toimenpiteet valtuutetussa Nanni-korjaamossa.

**HUOMAA:** Toimenpiteet voi olla tarpeen sovittaa ilmasto-olosuhteista riippuen. Lisätietoja saa ottamalla yhteyttä valtuutettuun Nanni-jälleenmyyjään.

Pitkäaikaista varastointia (yli 12 kuukautta) varten on suoritettava erityisiä toimenpiteitä. Kaikki tällaiset toimenpiteet on teetettävä valtuutetussa Nanni-korjaamossa.

## **HUOMAUTUS**

Jos moottori on vaarassa jäätyä, tyhjennä kaikki vesi merivesijärjestelmästä

# Pitkäaikaista varastointia koskeva menettely

Tee seuraavaksi vuodossa olevat huoltotyöt ennen pitkäaikaista varastointia koskevan menettelyn suorittamista.

1. Tyhjennä ja vaihda moottorin ja vaihteiston öljy.
2. Vaihda moottoriöljyn suodatin.
3. Vaihda polttoaineen suodatin ja esisuodatin.
4. Anna moottorin lämmetä tavanomaiseen käyttölämpötilaan.
5. Sammuta moottori ja nosta alus vedestä.
6. Tyhjennä ja puhdista kaikki merivesijärjestelmän osat. Suojaa kaikki osat korroosiolta.
7. Irrota siipipyörä merivesipumpusta (jos varusteena). Varastoi viileään ja kuivaan paikkaan. Merkitse selvästi näkyviin, että siipipyörä on irrotettu.
8. Tarkasta moottorin jäähdytysnesteen määrä ja kunto. Lisää tarvittaessa.
9. Poista mahdollinen vesi ja epäpuhtaudet polttoainesäiliöstä.
10. Täytä polttoainesäiliö täyteen.
11. Irrota ilmasuodatin. Suojaa kaikki ilmanottoaukot puhtailla liinoilla.

**12.** Puhdista moottori. Korjaa vaurioituneet maalipinnat aidolla Nanni-maalilla.

**⚠ HUOMAUTUS**

Älä kohdista painepesurin suihkua tiivisteisiin, letkuihin, läpivientisuojauxiin jne.

**13.** Puhdista runko, ruuma ja voimansiirtojärjestelmä (jos varusteena).

**14.** Tarkasta kaikki ohjauskaapelit. Suojaa kaapelit rasvalla ja ruosteestoaineella.

**15.** Irrota akun johdot. Säädä tarvittaessa elektrolyyttitasoa. Lataa akku. Varastoi akku kuivaan paikkaan.

**16.** Löysää hihnat.

**17.** Ruiskuta moottori vettähylykivälä tuotteella.

**18.** Irrota potkuri varastointia varten. Tarkasta työntövoimajärjestelmän kaikkien osien yleiskunto.

## **Moottorin käynnistäminen uudelleen**

**1.** Puhdista moottori ulkopuolelta ja tarkasta sen kunto.

**2.** Tyhjennä ja vaihda moottorin ja vaihteiston öljy.

**3.** Vaihda öljynsuodattimet.

**4.** Tyhjennä jäähdytysneste merivesijärjestelmästä.

**5.** Tarkasta raakavesisuodattimen siipipyörän kunto. Vaihda se tarvittaessa. Asenna siipipyörä.

**6.** Poista liinat ja teipit aukoista. Asenna ilmasuodatin.

**7.** Sulje/kiristä kaikki tulpat ja tyhjennyshanat.

**8.** Tarkasta letkujen ja kiinnikkeiden kunto.

**9.** Tarkasta moottorin jäähdytysnesteiden määrä ja kunto. Lisää tarvittaessa.

**10.** Liitä täyteen ladatut akut.

**11.** Tarkasta anodit.

**12.** Asenna potkuri.

**13.** Tarkasta ohjauskaapeleiden toiminta ja kunto.

**14.** Tarkasta hihnat. Säädä kireys.

**15.** Ilmaa polttoainejärjestelmä.

Kun alus on vedessä:

**16.** Avaa pohjaventtiili ja pohjusta raakavesijärjestelmä (jos varusteena).

**17.** Käynnistä moottori. Tarkasta mahdolliset vuodot ja oikea toiminta



Jos moottori ei toimi oikein, selvitä vian syy seuraavan kaavion avulla. Jos vian syytä ei voida selvittää, ota yhteyttä valtuutettuun Nanni-korjaamoon.

**HUOMAA:** Kaikki osat eivät välttämättä kuulu tilaamaasi moottoriin. Luettelo ei ole tyhjentävä ja se on tarkoitettu vain avuksi hätätilanteissa.

	MAHDOLLISET SYYT
Moottori ei käynnisty	1, 2, 3, 4, 5, 6, 7, 8, 9, 10, 11, 13
Moottori käynnistyy, mutta sammuu äkillisesti	1, 2, 3, 4, 5
Moottorin käynnistäminen on vaikeaa	1, 2, 3, 4, 5, 6, 8, 9
Käynnistysmoottori ei käy tai se käy hitaasti	8, 9
Käynnistysmoottori käy, mutta moottori ei käynnisty	1, 2, 3, 4, 5, 6, 7
Moottori ei saavuta nimellishopeutta täydellä teholla	2, 3, 4, 5, 6, 7, 12, 14, 15, 16, 17, 26, 28
Moottori käy epätasaisesti	1, 2, 3, 4, 5, 6, 7, 14, 15, 16, 17, 18, 19, 20, 24, 28
Moottori tärisee voimakkaasti	16, 27
Pakokaasu on mustaa	4, 5, 14, 15, 16, 19, 20, 28
Pakokaasu on valkoista	4, 5, 23, 25
Polttoaineen kulutus on korkea	4, 7, 14, 15, 16, 19, 20, 22, 28
Moottori ylikuumenee / jäähdytysnesteen lämpötila on liian korkea	14, 15, 16, 18, 19, 20, 21, 22, 28
Ohjausvipua on vaikea käyttää	12, 14, 15, 16, 17, 26
Vaihdetta ei voi vaihtaa eteen ja taakse	9, 11, 12, 16, 17, 26
Akun lataustilan varoitusvalo syttyy	8, 9, 11, 18

Numerot viittaavat seuraavalla sivulla esitettyihin mahdollisiin syihin. \* Ota yhteyttä valtuutettuun Nanni-korjaamoon.

1. Ei polttoainetta
2. Ilmaa polttoainejärjestelmässä
3. Polttoainesuodatin likaantunut tai tukkeutunut
4. Polttoaine ei vastaa määritettyä standardia
5. Vettä/epäpuhtauksia polttoaineessa
6. Venttiilin välitys virheellinen\*
7. Paine alhainen\*
8. Akun lataustila heikko / akku viallinen
9. Sähkökaapelin liitäntä virheellinen
10. Käynnistin tai käynnistyskytkin virheellinen\*
11. Sulake lauennut / pääkytkin auki
12. Vaihteisto on vioittunut\*
13. Ohjausvipu ei vapaa-asennossa / pysäytin vedetty ulos
14. Aluksessa on liikaa kuormaa
15. Kasvustoa veden alla olevassa rungon osassa, voimansiirtojärjestelmässä tai potkurissa
16. Potkuri viallinen/vääränlainen\*
17. Ohjausvivun/ohjauskaapelien toimintahäiriö
18. Hihna löystynyt tai vaurioitunut
19. Jäähdytysneste väärä / jäähdytysnestemäärä alhainen / jäähdytysnestettä vuotaa
20. Jäähdytysjärjestelmä ei toimi oikein\*
21. Termostaatti viallinen\*
22. Pohjaventtiili kiinni / raakavesisuodatin tukkeutunut
23. Voiteluöljy palaa. Öljynkulutus liiallinen\*
24. Moottoriöljymäärä liian alhainen
25. Moottoriöljymäärä liian korkea
26. Vaihteistoöljymäärä liian alhainen
27. Moottorin asennus virheellinen\*
28. Ilmansyöttö riittämätön\*



MALLI	N2.10	N2.14	N3.21
MOOTTORIN TIEDOT			
Tyyppi	Nelitahtinen dieselmoottori		
Maksimiteho - kW (hv)*	7.36 - 10	10.3 - 14	15.4 - 21
Sylinteriluku/-järjestys	2 peräkkäin	2 peräkkäin	3 peräkkäin
Sylinteritilavuus (cm <sup>3</sup> )	479	479	719
Mitta ja iskunpituus (mm)	67 - 68		
Toiminta	Vapaasti hengittävä		
Painesuhde	23.5:1		
Joutokäynti - kytkintä ei kytketty (kierr/min)*	1050	1050	1050
Nimelliskierrosluku maksiminopeudella (kierr/min)*	3000	3600	3600
Maksimikierrosluku maksiminopeudella (kierr/min)*	3220	3820	3820
Ajokierrosluvuksi suositellaan (kierr/min)	2400 ~ 2700	2880 ~ 3240	2880 ~ 3240
Paino ilman vaihteistoa (kg)	78	83	97
Venttiilinvällys (moottori kylmä) - imu-puoli (mm)	0,145 ~ 0,185		
Venttiilinvällys (moottori kylmä) - pakopuoli (mm)	0,145 ~ 0,185		
Pyörimissuunta vauhtipyörästä katsottuna	Vastapäivään		



MALLI	N2.10	N2.14	N3.21
<b>SÄHKÖJÄRJESTELMÄ</b>			
Suosittelun käynnistysakun teho (Ah)	35 ~ 50		
Käynnistin (kW)	0.8		1.0
Vakiomallinen vaihtovirtageneraattori (V-A)	12 - 40	12 - 70	12 - 70
<b>POLTTOAINEJÄRJESTELMÄ</b>			
Ruiskutusjärjestelmä	Epäsuora (E-TVCS)		
Ruiskutuksen ajoitus ennen TDC:tä (°)	21		
Polttoaineen ruiskutusaine (bar)	137.3		
Eriytynyt polttoaineenkulutus (g/kWh) täydellä teholla	265	285	285
Polttoainevaatimukset	EN 590 / ASTM D975 No.2-D Älä käytä polttoaineita, joiden rikkipitoisuus on yli 1,0 %		
<b>VOITELUJÄRJESTELMÄ</b>			
Öljynlaatu	API CF mini		
Öljyn viskositeetti (lauhkea ilmasto)	SAE 15W40		
Moottorin öljykapasiteetti - ei moottorin kallistusta (litraa)	2.1	2.1	3.3
Öljyn vähimmäispaine nimelliskierrosluvulla (bar)	3.5	3.5	3.5
<b>JÄÄHDYTYSJÄRJESTELMÄ</b>			
Jäähdytysainekapasiteetti - ei moottorin kallistusta (litraa)	2.7	2.7	4
Jäähdytyspumpun virtausmäärä nimelliskierrosluvulla (l/min)	23	28.8	35.5
Raakavesipumpun virtausmäärä nimelliskierrosluvulla (l/min)	15	18	18

# Huomautukset

---



***NANNI INDUSTRIES SAS***

11, Avenue Mariotte-Zone Industrielle

33260 La Teste France

Tel: + 33 (0)5 56 22 30 60

Fax: +33 (0)5 56 22 30 79

Email: [contact@nannidiesel.com](mailto:contact@nannidiesel.com)

**[www.nannidiesel.com](http://www.nannidiesel.com)**