

Instruction manual

Marine Diesel engines

V6.270

V6.320

V6.350

Contents

Safety precautions	3
Presentation	6
<i>Identification plates</i>	6
<i>Additional equipment</i>	6
<i>Warranty</i>	7
<i>Environmental responsibility</i>	7
<i>Preparations before starting</i>	7
<i>Fuel supply</i>	7
<i>Behaviour of the boat</i>	7
Instrument panel.....	8
<i>Warning lights & alarms</i>	9
<i>Throttle lever</i>	9
Principal parts of the engine	10
Installation inspection	11
Operation of the engine.....	12
Before starting	12
Starting the engine	12
During operation	13
<i>Forward / reverse speed</i>	13
<i>Running in</i>	13
Stopping the engine	13
Emergency stop	13
After the engine has stopped	13
Maintenance	14
Daily checks	15
Fuel system	16
Bleeding the fuel circuit	16
Replacing the fuel filter	16
Replacing the fuel prefilter.....	17
Draining the water from the fuel prefilter	17
Lubrication circuit	18
Checking the oil level	18
Replacing the oil filter cartridge	18
Draining the engine oil.....	19
Cooling circuit - coolant	20
Coolant filling.....	21
Draining the cooling circuit	21
Rinsing the cooling circuit.....	21
Cooling circuit - seawater	22
Cleaning the seawater filter.....	22
Draining the seawater circuit	22
Replacing the seawater pump rotor	23
Air filter	24
Engine electrical system.....	25
Check the electrolyte level	25
Changing fuses	25
Protection against corrosion - Zinc anode.....	26
Protecting the engine during periods of inactivity.....	27
Restarting the engine	27
Fault-finding	28
Technical specifications	30

Safety precautions

Read this chapter carefully as it concerns your safety. Most accidents are caused by failing to follow basic safety rules. Be aware of the possible risks involved in handling your engine and make sure you take the necessary precautions to protect yourself, those around you and your equipment.

This manual contains important safety indications and information.

They are as follows:

⚠ Danger! : This symbol indicates the risk of accidents and serious personal injury, substantial property damage or serious mechanical faults if the instructions are not followed.

⚠ Attention! : Indicates a risk of personal injury and/or property damage when handling a component.

Remark: Indicates that important information must be known in order to facilitate handling or in particular cases.

Using and handling an engine entails risks that could prove to be extremely dangerous. Some work requires specific knowledge and equipment. This work should be carried out by Nanni Diesel authorised personnel or by a professional. If you have to work on the engine, carefully follow the safety instructions set down in this manual.

Certain information is displayed directly on the engine in the form of icons. This information helps you to quickly identify the location of certain components and avoid possible hazards when working on the engine.

Ensure these indications are always visible and replace them if necessary.



Indicates that it is essential to read the instructions carefully before handling the engine.



Locating the electrical hazards.



Locating the hot parts entailing substantial risks of burns.



This icon indicates a risk of fire.



Stipulates that you are strongly recommended against smoking and producing flames or sparks in the vicinity.



Locating an area containing pressurised fluids.



Locating the hazardous rotating parts.



Locating the de-aeration orifice(s) (air bleed)



Locating or checking the coolant level.



Locating or checking the engine oil level.



Locating the coolant drain orifice.



Locating the oil tank drain orifice.

⚠ Exhaust gas

Exhaust gases contain carbon monoxide. This colourless and odourless gas is extremely harmful and could lead to poisoning which could result in loss of consciousness or death. The first symptoms of carbon monoxide intoxication are as follows:

- Dizziness
- Nausea
- Headache
- Throbbing temples
- Vomiting
- Fatigue and falling asleep
- Tense muscles

If you or anyone else in the vicinity of the engine experiences any of these symptoms, leave the area of operation of the engine and find fresh air. If the symptoms persist, consult a doctor and have your engine checked.

⚠ Risk of electric shock

Never touch the electrical connectors when the engine is operational. The voltage at the connector terminals can be lethal.

Do not work on the engine without protection: protective goggles and gloves, insulating blankets etc.

Always disconnect the engine and cut the current before working on the electrical system. Isolate the shore power supply to all the electrical circuit equipment.

Ensure your clothing and skin is not damp or sweaty when handling electrical equipment. Remove watches, bracelets and jewellery when working on electrical equipment.

Handling a capacitor that is still charged can be dangerous and cause electrocution.

⚠ Risk of burns

Never touch the hot parts of the engine or the exhaust circuit.

An operational engine gets very hot: the exhaust elbow and pipe, turbocompressor, starter, oil sump, oil, coolant in the hoses and pipes are hot and can burn.

Always check the coolant level before starting the engine.

Fluids ejected under pressure can cause serious injury.

Release all the pressure in the circuits before removing the caps.

Never open the coolant and oil circuit caps when the engine is operational and/or hot.

Never start or run the engine when the oil fill cap is not screwed on as hot oil could spray out.

If you come into contact with any of these fluids, consult a doctor immediately.

If the engine gets too hot, switch it off and disconnect it and wait for it to cool down before handling.

⚠ Risk of fire

Do not smoke near the engine and keep it away from sources of ignition (flames or sparks) or any other potential flammable vapour or liquid sources.

Do not run the engine without an air filter.

Do not run the engine in an area in which flammable or explosive materials are stored or where gas is present. Ensure there are no flammable liquids in the engine compartment.

Immediately clean up any liquids spilled over yourself or the floor and keep the engine compartment clean and accessible so as to minimise the risk of fire. Be careful as fuel can burn.

⚠ Risk of explosion

Explosions caused by fuel vapour can cause serious injury! Carefully follow the safety rules when filling the fuel.

Open and ventilate the storage area of the engine after filling. Check that there are no fuel vapours or leaks before starting the fan (if fitted). Switch the fan on for 5 minutes before starting the engine.

All fuel vapours are flammable and explosive. Be careful when handling and storing fuel. Store the fuel in a ventilated area away from sources of ignition (sparks or flames) and out of the reach of children.

Stop the engine before filling with fuel or lubricant. Do not smoke near the engine and keep it away from sources of ignition (flames) when filling with fuel and/or lubricant. Wear gloves when investigating possible leaks.

Do not alter or damage the fuel circuit. Close the fuel circuit whenever you work on it.

Ensure you always have an appropriate working extinguisher to hand.

⚠ **Accidental starting**

Accidental starting can cause serious injury and even death!

Disconnect the battery before working on the engine.

Ensure no one is alongside the engine or working on the gearbox, the shaft line and / or the propeller before starting it.

Ensure all the protection mechanisms are in place before starting the engine.

⚠ **Risk of battery explosion**

A battery explosion can cause serious injury and even death!

Do not smoke near the batteries and keep them away from sources of ignition (flames or sparks). They produce hydrogen which could ignite or explode on contact with an electrical arc or a flame. Switch off all electrical appliances in the vicinity when you are working on the batteries. Ensure the battery storage compartment is corrected ventilated.

Avoid touching the battery terminals with metal tools so that no sparks are created which could cause an explosion. Remove your rings, bracelets and necklaces before handling the batteries.

⚠ **Battery acid**

The acid in batteries can cause serious injury and even death!

When servicing the batteries, wear protective gloves and goggles. Batteries contain sulphuric acid which is highly corrosive.

Acid can spurt from batteries when they are handled. If the acid comes into contact with the skin, rinse thoroughly in fresh water and consult a doctor.

⚠ **Exhaust gas**

Ensure the exhaust circuit correctly expels the gas produced by the engine.

Regularly check that the exhaust circuit is free of leaks and that the exhaust elbow is correctly affixed.

Operate the engine in a well aerated and ventilated area away from other people. Run the fan when the engine is operational.

⚠ **Rotating parts**

Rotating parts can be extremely dangerous and cause serious injury and even death!

Do not work on the engine when it is operational. If work on the engine when running is absolutely necessary, do not touch any hot or rotating parts.

Baggy clothing, hair or objects could be pulled in and/or caught and cause serious injury or substantial property damage.

Do not wear bracelets, necklaces or rings when working on the engine.

Check that the bolts and screws are properly tightened and that the protection mechanisms are in place.

Do not check the fluid levels or tension of the alternator belt when the engine is operational.

⚠ **Lifting the engine**

To lift the engine, use the hoisting eyes on the appliance.

Always check the robustness and overall condition of the lifting equipment. Use suitable gear (cables, beams, machines, etc.) to lift your engine. Check that your gear is capable of lifting the engine all the equipment that are mounted on the engine.

Lifting cables and chains must be able to move parallel to each other.

Do not forget that any additional equipment mounted on the engine could alter its centre of gravity. When lifting the engine, it should remain as parallel as possible to the ground.

⚠ **Maintenance and spare parts**

Nanni Diesel engines are designed to meet the different emission standards while delivering maximum service life and reliability.

Regularly servicing and replacing parts with original Nanni Diesel parts will ensure the engine continues to function optimally.

These parts can be ordered from all Nanni Diesel dealers throughout the world.

⚠ **Chemical products**

The different fluids used to run the engine are a health hazard.

Carefully read the instructions on the packaging of these products and always check that the ventilation in the hold space is adequate.

Presentation

Thank you for choosing a Nanni Diesel engine!

Contact a Nanni Diesel authorised dealer for the servicing of your equipment. A list of dealers can be found on our web site:

www.nannidiesel.com

Nanni Diesel engines are the product of many years of experience in the development of marine engines and equipment designed for use in open seas.

This instruction manual is for the following Nanni Diesel engines:

- V6.270
- V6.320
- V6.350

These 6 cylinders engines have been developed using the very latest innovations in the diesel engine field. Their main features are Common Rail direct fuel injection, 4 valves per cylinder, a turbocharger and a tunnel design type engine block.

The injection system is controlled by an electronic control unit (ECU). This unit regulates the amount of fuel injected according to different parameters.

These engines have also been equipped with fuses on the electrical circuit which will trip in the event of overload current or a short circuit, in order to avoid damages to the parts.

Before using, ensure you have the correct manual for your engine. We will explain how to identify your equipment and its principal specifications in the chapters to follow. If you don't have the correct manual, please contact your Nanni Diesel authorised dealer.

Carefully read all of this engine instruction manual and the gearbox documentation before starting the engine.

Pay particular attention to the information on personal safety. This manual must always be to hand where the engine is used.

We recommend that you visually check the overall condition of your engine before and after using it each time so that you familiarise yourself with the different components and can more easily detect any fuel, oil or coolant leaks or abnormal wearing of the principal parts.

All the information and specifications in this manual are based on the technical data applicable at the time of its publication. Changes and updates may be made by Nanni Diesel without notice.

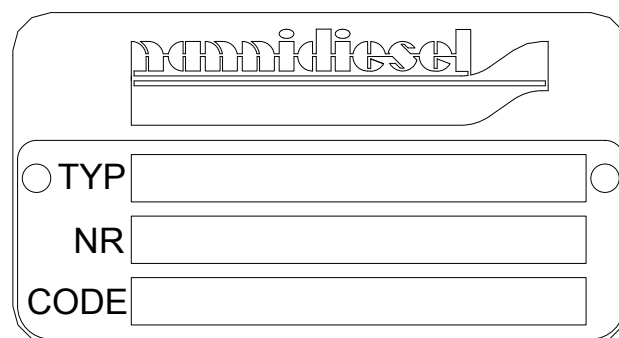
Certain images, diagrams or equipment described in this manual may not exactly represent (or be part of) your engine order.

Identification plates

Your propulsion system has at least 2 identification plates: one for the engine and one for the gearbox.

Keep these plates accessible and in good condition. Record and keep the engine and gearbox serial number and designation. These numbers will be useful if you work on your engine, order parts or invoke the warranty.

The engine identification plate is as follows:



The TYP inscription indicates the commercial designation of the engine (eg. V6.350).

The NR inscription indicates the engine serial number.

The CODE inscription lists the various specifications of your engine.

Additional equipment

Your engine can be fitted with optional pieces of equipment (alternators, intercalated generator, hybrid propulsion, pumps, trolling valve, etc.)

Refer to the additional documentation concerning this equipment or contact your authorised Nanni Diesel dealer for more information.

Warranty

The owner of the engine is responsible for all safety and maintenance checks as well as for following the maintenance instructions as set forth in this manual and on the Silverwake warranty booklet. The performance and reliability of your engine depend on you following these instructions.

Maintenance should be entrusted to a specialist authorised by Nanni Diesel. The validity of the warranty is dependent on maintenance operations being carried out by an authorised representative.

Wear and tear on parts as well as maintenance costs arise from normal use of the engine and therefore do not constitute manufacturing or material faults under the terms of the warranty.

We strongly advise against making any changes to the engine's settings, as well as any other technical modification (accessories, spare parts, hitched equipment etc.) not authorised by Nanni Diesel.

Any modification will cause the warranty to be cancelled as we cannot be held liable for work carried out beyond our control.

Environmental responsibility

Nanni Diesel designs its engines to have minimum environmental impact and a maximum service life. This objective, however, can only be achieved with your full cooperation. Our operating and maintenance instructions are to help you to protect your engine and adopt responsible behaviour vis-à-vis the environment.

Ensure you only use the fuels and oils recommended in this manual. Using another type of fuel or oil could cause major generator malfunctions: higher consumption, reduced engine service life, greater discharge of exhaust gases.

When draining the oil and changing the oil or fuel filter, dispose of the waste in the appropriate container. These fluids cause major damage to flora and fauna if discharged into nature. Ask the pump attendant for an absorption kit in the event of accidental discharge of oil or fuel into the water.

The different fluids used to run the engine are a health hazard. Carefully read the instructions on the packaging of these products and always check that the ventilation in the storage compartment is adequate.

Preparations before starting:

When the engine has been installed on board and before removing the protective elements covering the different orifices, clean the exterior surface of the propulsion system.

For transportation reasons, some of our engines are delivered without their operating fluids. In all cases, you must:

- Check the levels and fill the engine oil if necessary.
- Fill the exchanger with coolant and degas if necessary.
- Check the belt tension.
- Check the tightness of the different connections and drain caps (coolant and oil).
- Check the tightness of the alternator electrical lugs (check the cabling by referring to the corresponding documentation), battery terminals, circuit breaker, connection of extension sections, battery electrolyte level.
- Make a final check of the fixing elements and a visual check of the engine as a whole.
- Check the operation of the ventilation system.

Some of these operations are explained in more detail later in this manual.

△ **Attention!** : The modern diesel engine is precision equipment that requires the use of a high-quality fuel and lubricant.

Fuel supply

Ensure that the fuel contains no residues. If it does, use special filters.

Avoid using fuel mixed with water or other substances as you may damage the engine.

The engine performance is influenced by the fuel temperature, the temperature and relative humidity of the exhaust air and by the altitude.

Behaviour of the boat

The weight distribution on board can modify the centre of gravity of the boat and have an impact on its behaviour in navigation.

The condition of the hull is also a critical factor. A dirty and / or damaged hull will modify the behaviour of the boat.

The propeller must be adapted to the boat and the use that is made of it. **A faulty operation of the boat is often due to an inadequate and / or damaged propeller.**

Instrument panel

The instrument panel provides you with important information about the engine when it is operational. Check this information regularly when the engine is operational. The position or appearance of the instruments represented here may vary depending on the type of instrument panel. Not all instrument panels have all these elements.

If your instrument panel does not match the models described in this chapter, contact your Nanni Diesel authorised dealer.

1. Revolution counter. Indicates the rotation speed of the engine in rpm. When the ignition is on, indicates the voltage at the battery terminals.

2. Hour meter/Voltmeter. Record the functioning hours of the engine. When the ignition is on, indicates the voltage at the battery terminals.

3. Engine oil pressure. Attention! This indicator does not show the engine oil level. This indicator shows the oil pressure. The pilot lamp inside the dial is lit and an audible alarm sounds if the oil pressure in the lubrication circuit falls. At idle, the pressure is generally lower.

⚠ Danger! : If this alarm goes off, stop the engine - except in cases of extreme urgency - and contact an authorised Nanni Diesel dealer.

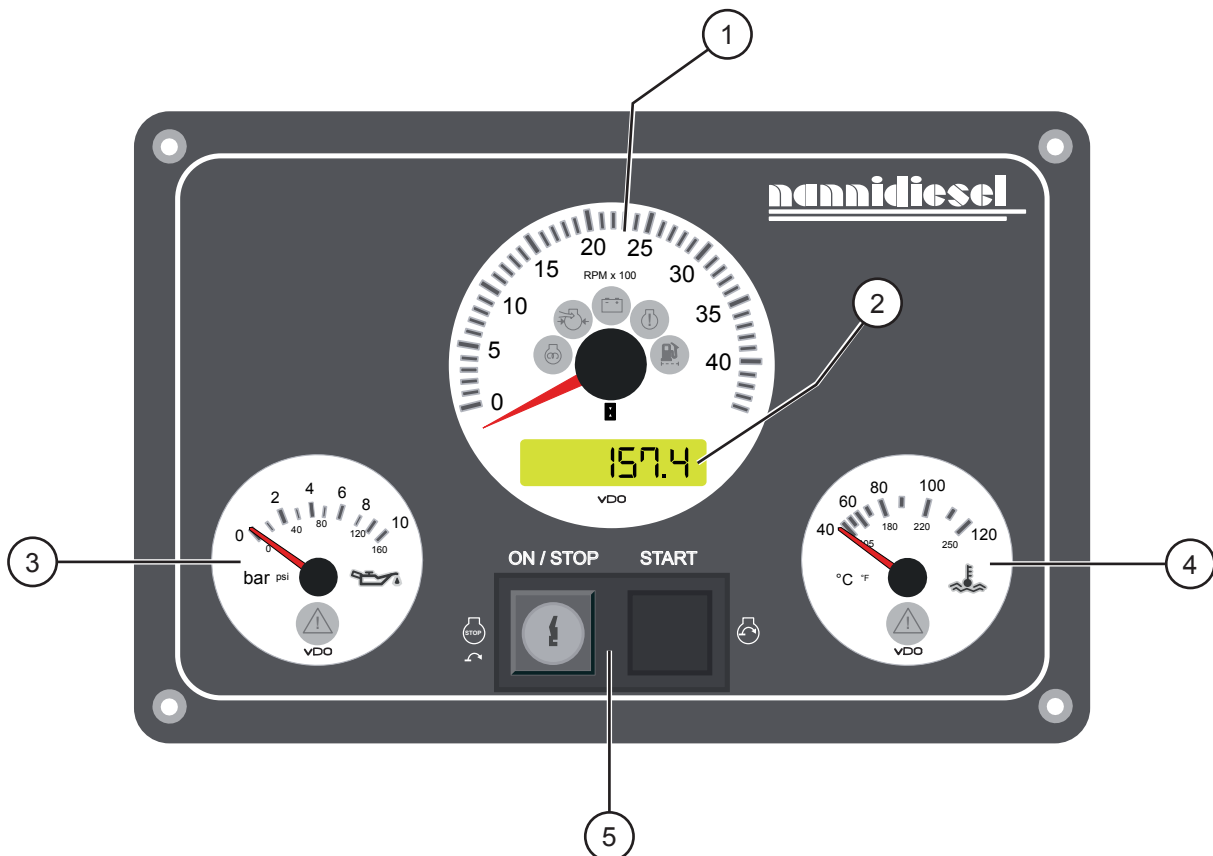
4. Coolant temperature. Indicates the coolant temperature. The pilot lamp inside the dial is lit and an audible alarm sounds if the coolant in the cooling circuit overheats.

In normal operation, the temperature must be between 75 and 85° Celsius.

⚠ Danger! : If this alarm goes off, let the engine run at idle few minutes and check that the seawater flows through the exhaust outlet. If the water does not flow or if the temperature does not drop, stop the engine - except in cases of extreme urgency - and contact an authorised Nanni Diesel dealer.

5. Starting switch/key This component starts and stops the engine. The ON/STOP key switch powers up and stops the engine. The START button starts it.

Certain panels ("button" panels) may not be equipped with a starter key. The ON/STOP button switches on the engine.



Warning lights & alarms

6. Heating. This indicator is lit when the glow plugs are heating the combustion chambers (if fitted on your engine).



7. Battery charge. This indicator is lit when the engine is switched on (ignition). If it lights when the engine is running, this indicates an engine alternator charging fault.



8. Water in fuel filter (if fitted). This indicator is lit when there is too much water in the fuel filter.



9. Faulty system. This indicator is lit when there is a failure on the electronic system of the engine. If this indicator lights, contact an authorised Nanni Diesel dealer.



10. High pressure turbo. This alert indicator indicates that the air pressure in the turbocharger is too high.



If one or more of these lights come on when the engine is running, stop the engine (except in emergencies) and contact an authorized dealer.

Throttle lever

On the majority of boats, the engine throttle includes the speed control and gear changing functions (forward / reverse).

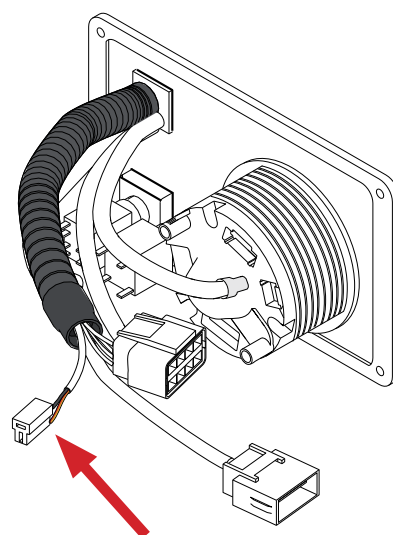
However, some boats may be fitted with a reverse command or a safety mechanism that prevents the engine from being started if the throttle is not in the neutral position.

Get information from the boat builder about the type of throttle operation.

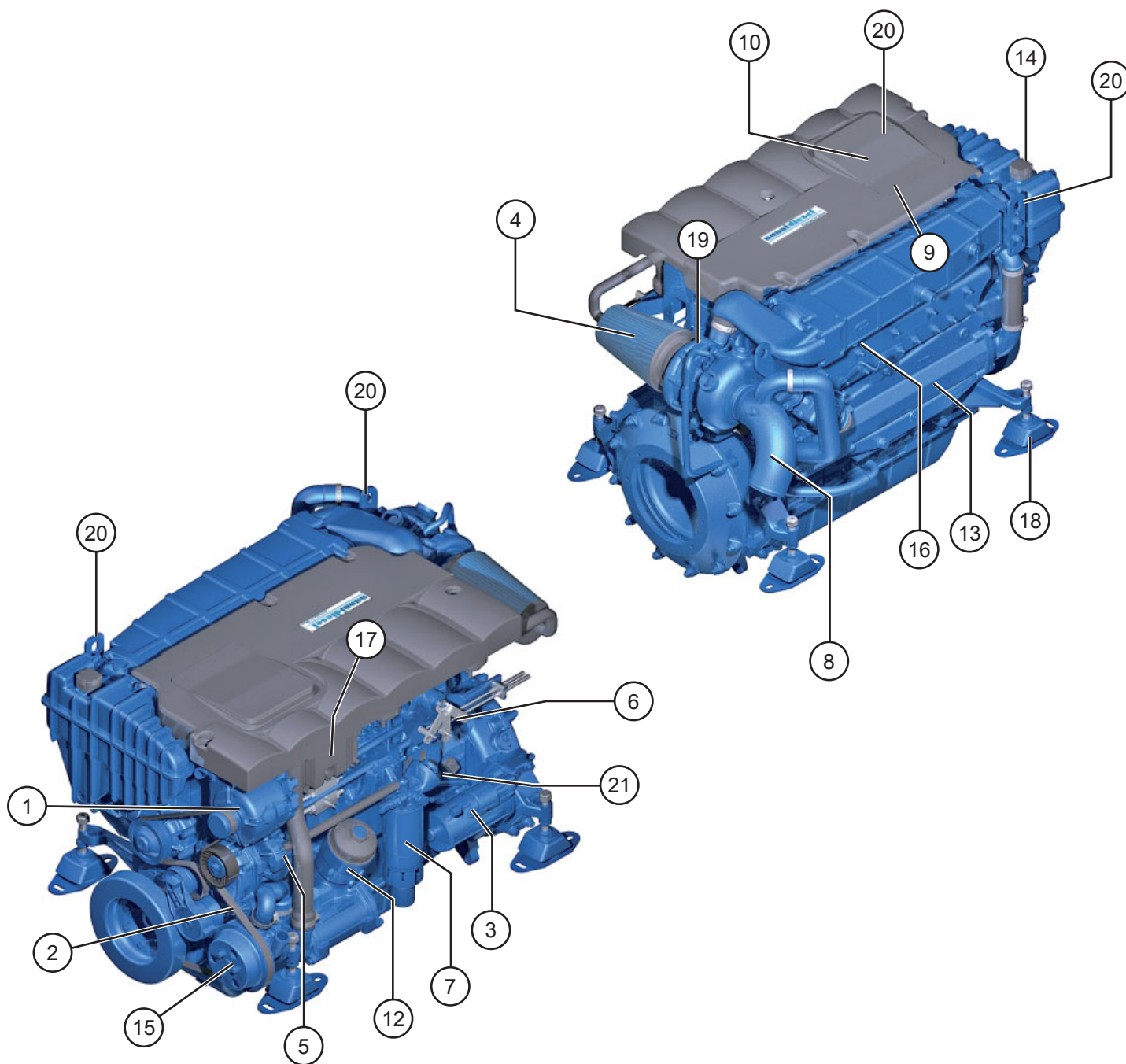
Auxiliary 12V output on instruments panel

The A4, B4 and C4 panels are equipped with an auxiliary output of 12V / 3A.

The interfaces linking the panels to the engine are fitted with a fuse.



Principal parts of the engine

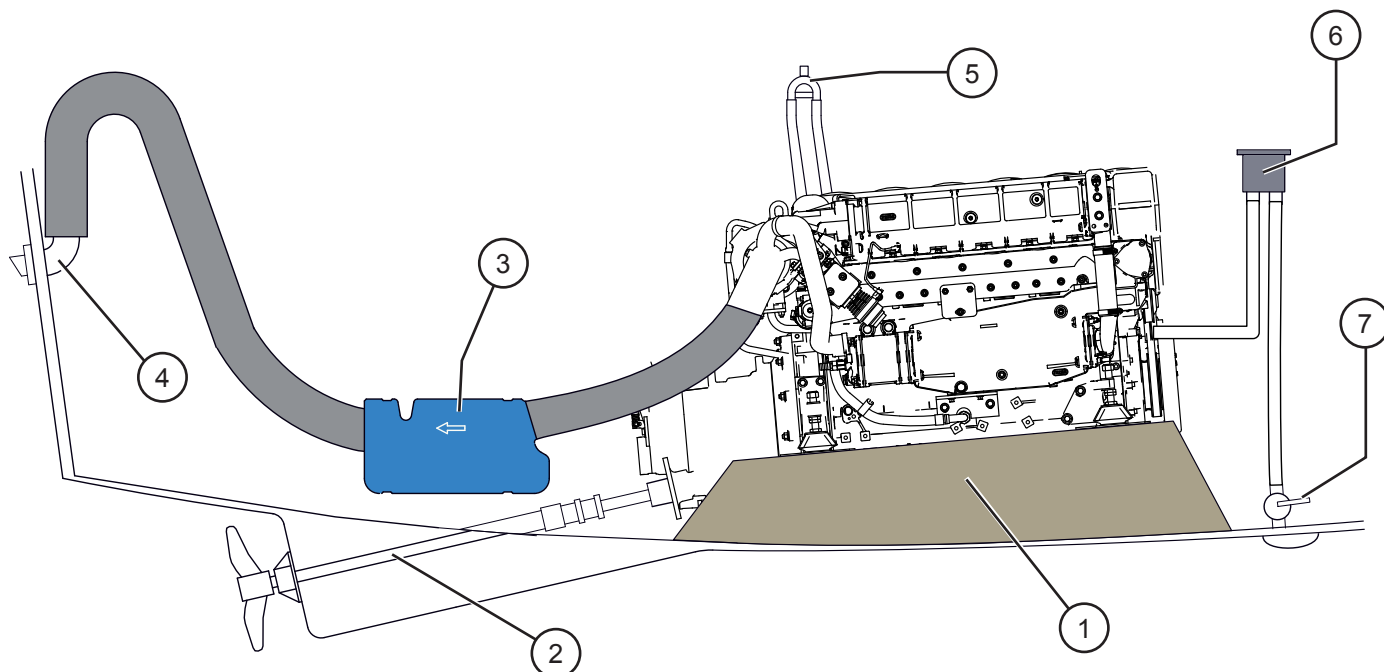


Certain equipment may not be part of your engine

- | | |
|---|--|
| <ul style="list-style-type: none"> 1. Engine alternator 2. Engine alternator belt 3. Starter 4. Air filter 5. High pressure injection fuel pump 6. Throttle lever 7. Fuel filter 8. Exhaust elbow 9. Fuel fill orifice 10. Oil drain orifice 11. Oil gauge | <ul style="list-style-type: none"> 12. Oil filter 13. Heat exchanger 14. Coolant fill orifice 15. Seawater pump 16. Heat exchanger drain plug 17. Electronic control unit 18. Supports 19. Turbocompressor 20. Hoisting eyes 21. Fuses |
|---|--|

Installation inspection

⚠ **Attention!** : Your engine must be installed by an authorised shipyard or a qualified Nanni Industries representative in accordance with the on board assembly instructions. However, you can check some important points on the installation of the engine.



1. Engine frame

The engine frame must be solid and able to absorb all the dynamic stress as well as the weight of the engine. It must be connected to the hull by an area as large as possible.

The engine must not be at an angle of more than 15° when the boat is stopped.

2. Propeller shaft

The choice of propulsion system must be made according to the restrictions arising from the engine, the boat, and the use of the boat.

3. Waterlock exhaust box

The waterlock must be positioned as close to the engine and as low as possible.

4. Hull outlet

The hull outlet must be located 15cm below the water line. The tube between the exhaust box and the hull outlet must form a swan-neck shape to avoid any water getting into the exhaust system through the hull outlet.

5. Anti-siphon valve

Mandatory on boats whose engine is below the waterline. The anti-siphon valve must be installed at the end of the seawater system before injection in the exhaust elbow and must be positioned above the waterline, between 0.5 and 2 metres.

6. Seawater filter

This must always be positioned at least 15 cm above the waterline.

7. Through-hull valve

On yachts and boats that do not go above 12 knots, the water inlet must be turned towards the end of the boat.

On motor boats that go over 12 knots, the water inlet must be turned forwards the end of the boat.

Engine room

The temperature inside the engine compartment must not exceed 50°C with a maximum difference of 20°C with the outside temperature.

Slow boats must have a ventilator fitted. Fresh air from the front is circulated from front to back. The front air intake is located low down at the front of the engine compartment and the outlet high at the back for optimum air circulation.

Electrical installation

An incorrect or faulty electrical installation can cause leakage currents that can affect the galvanic protection of the engine and damage the engine subsequently.

The installer must ensure to take all necessary precautions to protect the engine against corrosion.

Operation of the engine

Before starting

⚠ **Attention!** : Before starting, ensure that the seawater intake is open as the seawater pump rotor can be damaged if run dry for just a few seconds.

Never use a starting aerosol or any other equivalent product. These products are highly flammable.

Before turning the starter key and before the engine is used each time:

- Open the hold space panel(s) to fully ventilate the hold space if it is not equipped with a fan. Otherwise run the fan in the hold space for 5 minutes.
- Check the fuel level.
- Check that the throttle is in the correct neutral position.
- Open the fuel supply valve and prime the system if necessary
- Open the seawater intake valve (if fitted)
- Check there are no fuel, oil or coolant leaks
- Check the engine oil level and fill with the recommended oil if necessary. See the "Maintenance" section for more information.
- Check the coolant level and fill with the recommended coolant if necessary. See the "Maintenance" section for more information.

⚠ **Attention!** : Ensure you have refitted the protection elements before starting the engine.

- Close the battery switch (ON position)

Remark : If your engine has not been used for several months or if the fuel circuit has been drained, use the priming pump situated above the fuel filter. This fills the fuel circuit if it has drained out or after a circuit component has been replaced.

⚠ **Danger!** : The propeller can cause serious injury when it is moving, ensure that no-one is near the propeller before starting the engine and never sail near swimmers.

Starting the engine

Remark : When starting the engine for the first time, let it run at idle for several minutes.

If the engine is not used regularly, turn the ignition and let the engine run at idle until it reaches operating temperature. Do this at least one time per month when not in use.

Carry out the following operations to start your engine in complete safety:

1. Put the throttle in the neutral position
2. Put the key into the ON/STOP starting/switch
3. Turn the key a quarter-turn to the right. All of the indicators will light and an audible signal will sound. This stage allows you to check that these elements are working properly. After a few seconds, only the oil and battery charge indicators will remain lit.
4. Depress the START button to the midpoint to begin heating and keep it depressed for 5 to 20 seconds depending on the ambient temperature. Depress the button fully to start the engine.

Button panel

For button panels (with no starter key):

1. Press the ON/STOP button. All of the indicators will light and an audible signal will sound. This stage allows you to check that these elements are working properly. After a few moments, only the oil and battery charge indicators will remain lit.
2. Depress the START button to the midpoint to begin heating and keep it depressed for 5 to 20 seconds depending on the ambient temperature. Depress the button fully to start the engine.

⚠ **Attention!** : Never press the START button when the engine is running.

Remark : Consult your authorised Nanni Diesel dealer about the precautions to take when using the engine in a cold environment.

⚠ **Attention!** : If the engine does not start on the first attempt, repeat the manoeuvre, waiting 5 to 15 seconds between each attempt, with the engine switched off. Never force it as there is a risk of water backflow into the engine via the exhaust system.

Let the engine warm up at idle few minutes before reaching your cruising speed.

During operation

RPM speed of the engine

Refer to the chapter «Technical specifications» for informations about the rated rpm speed of your engine.

Do not operate the engine at a too low rpm speed for a long period as it could lead to increased oil consumption among other things. At a low speed, the fuel combustion is not complete and deposits may form in the engine and in its exhaust system. Run the engine at full throttle for 4 to 5 hours per year in order to burn off any possible deposits.

Cruising speed

Set your cruising speed to 200 rpm below the maximum speed at full throttle for the best sailing conditions.

Forward / reverse speed

⚠ Danger! : Never reverse the gear when the boat is at full speed. Gear changes made at too high speed can damage the engine and the transmission.

Carry out the following operations for forward / reverse manoeuvres:

1. Lower the engine down to idling and wait for the boat to lose as much speed as possible.
2. Bring the throttle to the neutral position and wait a few seconds.
3. Push the control lever to the reverse direction and change gear.

Running in

Operate your engine with care for the first 50 hours of operation.

Do not accelerate immediately after starting the engine without giving the engine the time to warm up by idling for several minutes and only run at full speed for short periods of time.

Stopping the engine

Let the engine run at idle in the neutral position for few minutes before turning it off, particularly if the engine has been running at high speeds and high throttle settings.

Turn the key counter-clockwise. The engine stops and all the indicators will be extinguished.

For button panels, depress the ON/STOP button and then **release it**.

Emergency stop

You can stop the engine manually if the standard shutdown procedure is not working or in an emergency by cutting the fuel supply.

⚠ Danger! : Working on a running motor is extremely dangerous.

After the engine has stopped

Open the circuit breaker (battery supply off), close the seawater intake valve (if fitted) and the fuel feed valve. Check the condition of the compartment in order to identify any leaks.

⚠ Danger! : Even after your engine has stopped, elements remain hot and pressurised for several minutes. As far as possible, limit work on the engine immediately after stopping it.

⚠ Attention! : If the craft is being towed, stop the engine and always close the seawater intake valve to prevent the engine from accidentally filling with seawater.

TWIN-ENGINE BOATS: If sailing with a single engine, close the seawater intake valve of the stopped engine. Do not forget to open it again before restarting the engine.

Maintenance

The regular maintenance of your engine is essential for ensuring optimal reliability and service life. The following operations and the those described in the Silverwake warranty booklet will enable you to extend the service life of your engine and reduce its impact on the environment.

During the warranty period, it is essential that all work is carried out by a Nanni Diesel authorised dealer. However, some regular checks, particularly those made each time the engine is used, can only be made by the owner.

Certain operations are explained to you further on so that you can work on the engine in an emergency or if there is no repair centre nearby. We recommend you have your work checked by a Nanni Diesel authorised specialist.

△ Attention! : As far as possible, limit work on the engine when it is running and/or when you are sailing.

These instructions only describe a part of the maintenance operations to be carried out. Find the complete list on the Silverwake warranty booklet. The operations listed on the Silverwake must be carried out by an authorised Nanni Diesel technician.

The instrument panel shows you how long your engine has run since its commissioning.

Remark: Certain equipment is optional and may not be part of your engine.

In order to preserve the mechanical qualities of the engine and prolong its service life, we recommend you follow the instructions below:

Use a coolant made of 50% water and 50% antifreeze. Use tap water for the mix: Water that is too hard will produce limescale build-up and will reduce the cooling system's effectiveness. This could lead to a piston jamming.

If you do not use antifreeze and the outdoor temperature is below zero degrees Celsius, make sure to empty the cooling water after every use.

The closed cooling circuit must be protected against corrosion. If this circuit malfunctions, this could reduce its efficiency and the engine's service life.

Do not run the starter for more than 15 seconds: The continuous use of the starter for more than 15 seconds will damage the system.

Choose a diesel fuel meeting standard DIN-EN 590. If using Biodiesel (according to UNI EN14214 specifications) this can be blended up to 5% with a fuel available in Europe (according to the DIN EN 590 standard: a lower quality fuel will result in poor combustion, which may cause starting problems and heavy smoke emissions.

Draining the fuel tank: Remove the deposits in the fuel regularly.

Use a good-quality lubricant: Poor-quality lubricating oil will damage the engine in terms of the wear of the parts, jamming, etc., or rather reduce its service life.

The recommended lubricant must have the following properties :

Degree: SAE 10W - 40

Minimum specifications ACEA A3, B3 or API SL, CF

Daily checks

Habitually and regularly check the condition of the engine and its compartment before and after it is used: check for the presence or not of fuel or oil leaks, the tightness of the different clamps and bolts, the condition of the belts, hoses and the various electrical cables, the wear of the zinc anode (if fitted), the battery electrolyte level.

These relatively simple checks can help you to detect possible faults before major work on your engine is required.

⚠ **Attention!** : Do not let oil, fuel or grease deposits build up around the engine as they may increase the risk of fire in the engine compartment.

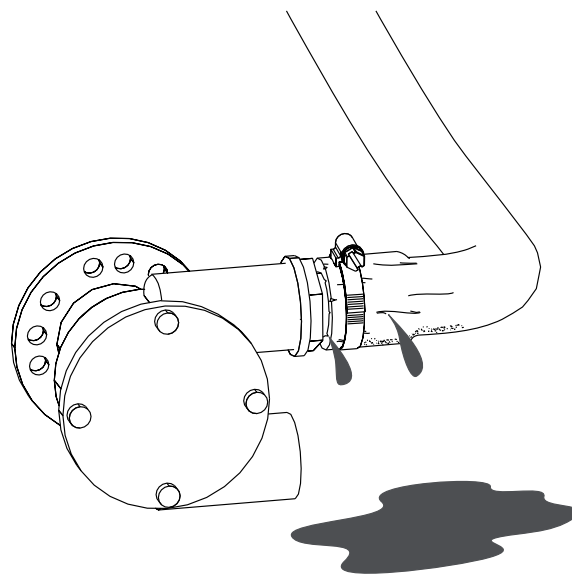
Check the operation of the different lamps and indicators situated on the instrument panel.

Stuffing box

Regularly check the watertightness of your stuffing box (if equipped). As this system is not absolutely tight, it is natural that a slight amount of water passes through the stuffing box. Correct operation is characterized by a drop-by-drop water intake. If too much water comes in, contact your Nanni Diesel dealer.

Control cables

Inspect the cables and check that they are not shredded or loose. Grease the connections.



Fuel system

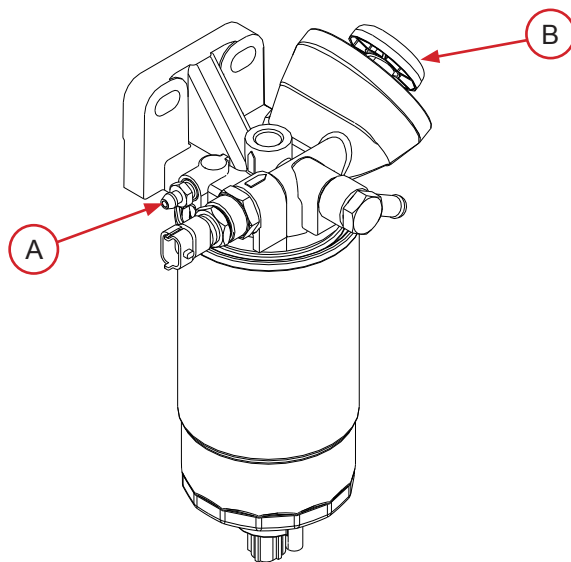
⚠ **Danger!** : Total cleanliness must be guaranteed when working on the fuel circuit. No impurities must enter the injection pump and the injectors. Carry out each of these operations with the engine cold and stopped.

Bleeding the fuel circuit

The fuel circuit is self-priming but manual bleeding is required after replacing the filter, after have running out of fuel or after a work on the circuit if it has been emptied.

- Untighten the drain valve screw **A** on the engine fuel filter support.
- Pump the priming pump by pressing the button **B** repeatedly until bubble-free fuel comes out of the drain valve screw.
- Tighten the drain valve screw and lock the hand pump **B**.

⚠ **Attention!** : Avoid draining all the fuel in the filter when bleeding. If you have, remove the filter and replenish with fuel before replacing it and repeat the bleeding.

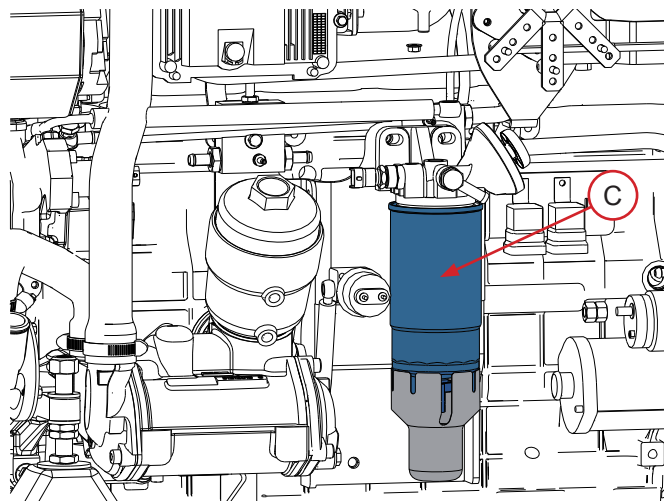


Replacing the fuel filter

This filter treats the water and impurities in the fuel before it enters the injection circuit.

- Cut the fuel intake at the tank.
- Place a receptacle under the filter and then remove the used filter **C** cartridge.
- Apply a thin layer of fuel over the seal surface of the new filter cartridge before fitting it.
- Tighten it by hand until the filter makes contact with the filter head then tighten it by a half-turn.
- Untighten the drain valve screw to release the air. Open the fuel valve again and drain the circuit.
- Start the engine and check the assembly is leak-tight.

⚠ **Attention!** : Used filters must be disposed of in an appropriate container.

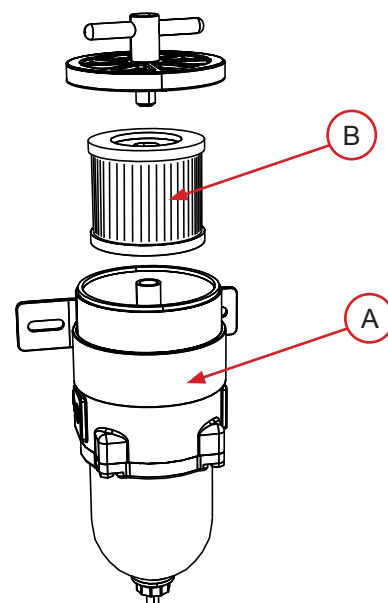


Fuel system

Replacing the fuel prefilter

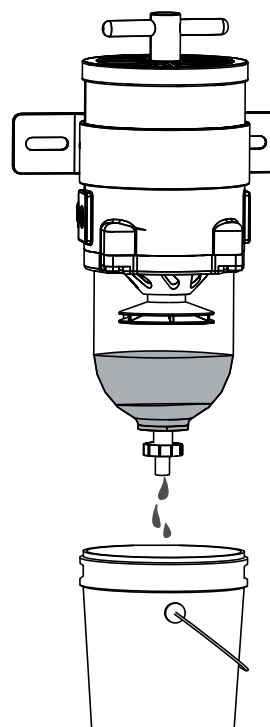
The fuel prefilter is an optional component that purifies the diesel before it is injected in the engine. These instructions are given as an example only.

- Close the fuel valve on the fuel tank.
- Place a pail under the fuel prefilter. Remove the filter tank **A**
- Drain and clean the filter tank.
- Replace the cartridge **B** and re-install the tank.
- Open the fuel valve. Drain the feed system then start the engine to check the leak-tightness.



Draining the water from the fuel prefilter

Before starting the engine each time, ensure there is no water in the fuel prefilter. If there is water, place a tray under the fuel prefilter and then drain the water and impurities using the bottom cap/valve.



Lubrication circuit

Checking the oil level

⚠ **Attention!** : Carry out these operations with the engine stopped. Hot oil and hot surfaces can burn.

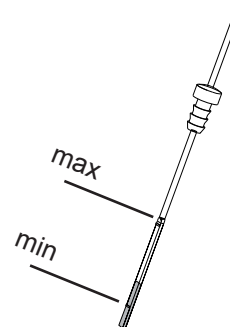
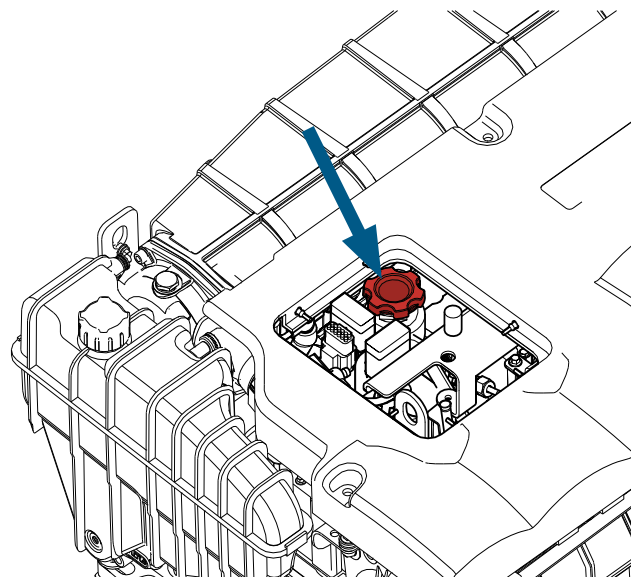
If oil of a different brand or viscosity to the previous oil is used, drain the old oil. Never mix two different types of oil. Observe the recommended draining intervals.

The oil level should be within the range indicated on the oil gauge. To check the oil level:

- Start the engine and let it run at idle for several minutes.
- Stop the engine and remove the starter key.
- Remove and wipe down the gauge rod.
- Re-insert it and then remove it.
- Check whether the oil level is between the two notches. If the level is too low, add more oil until reaching the specified level.

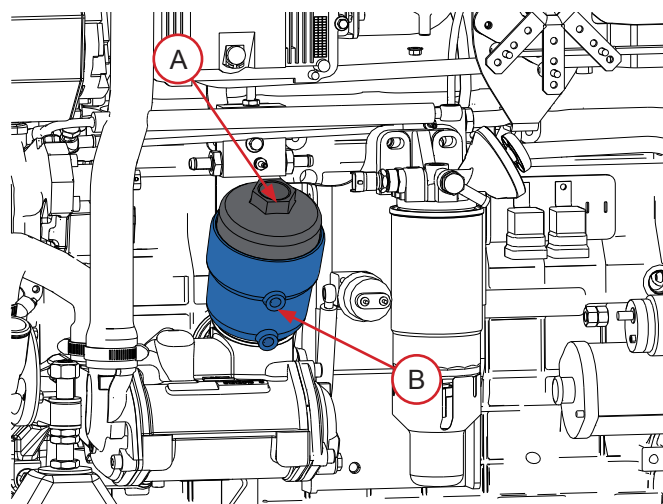
Fill the oil via the fill orifice situated on the top of the engine. Add the oil slowly and wait several minutes before checking the level again. This allows the oil to run into the engine crankcase.

⚠ **Attention !** : Do not fill the crankcase above the maximum level indicated on the gauge.



Replacing the oil filter cartridge

- Place a pail under the filter.
- Remove the oil filter cover **A** with a key.
- Remove the oil filter cartridge inside its casing **B**.
- Clean the filter support in order to prevent impurities from entering the engine.
- Apply a fine layer of oil over the rubber seal of the new cartridge.
- Remove the filter cartridge
- Install new cartridge, tighten it with a torque of 25 Nm.
- After replacing the filter, check that the engine oil is not leaking through the seal and check the oil level using the gauge. Add oil if necessary.



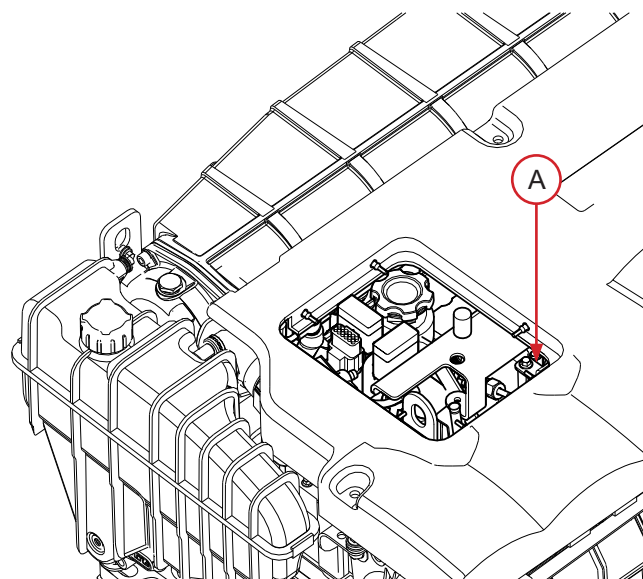
Lubrication circuit

Draining the engine oil

⚠ **Attention!** : Carry out these operations with the engine stopped. Hot oil and hot surfaces can burn.

The oil is drained via the drain orifice using the drain pump, with the oil slightly warm.

- Start the engine and let it warm up for approximately 5 minutes so that oil suction is easier.
- Stop the engine. Remove the plug of the drain orifice **A**.
- Connect the drain pump to the orifice **A**. Use a pail to collect the extracted oil.
- Pump until the oil has been completely extracted. Refill with the new oil (the amount of oil to add is indicated in the technical specifications section).
- Check the level with the gauge, ensuring you do not go above the maximum level.
- Start the engine and check that the oil pressure indicator is extinguished and that there are no leaks in the lubrication circuit. Let the engine warm up for several minutes and then check the oil level again. Fill again if necessary.
- Refit the cap of the drain orifice



Cooling circuit - coolant

The cooling system enables the engine to operate at an optimal temperature and protects it against frost and corrosion. The cooling system must be filled with a coolant comprising 50% water and 50% anti-freeze and anti-corrosion additive.

The coolant must be changed regularly as the additives become less effective over time. Prepare the mix before filling the exchanger.

If the engine must be switched off for a long period in an environment with a high risk of frost, the coolant must be drained.

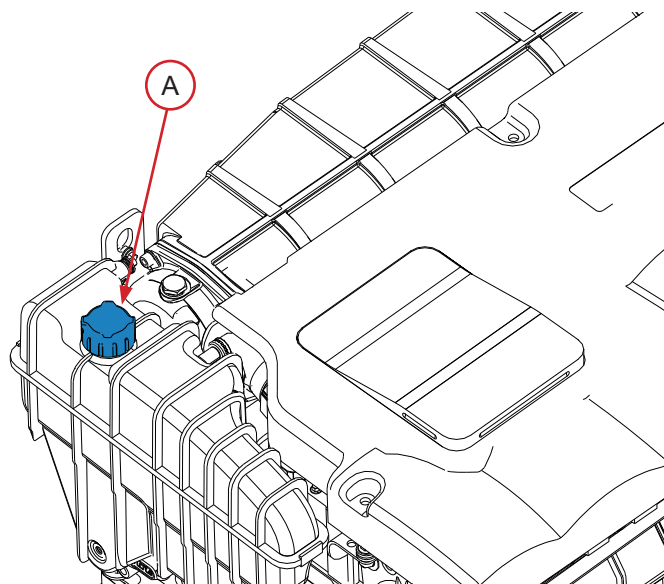
⚠ **Attention!** : Never use just water to fill the cooling circuit. Always use a clean receptacle and ensure the fluids are well mixed.

Coolant filling

⚠ **Attention!** : Do not check the coolant level when the engine is hot. Pressurised coolant can spurt and cause serious burns. Carry out this work with the engine stopped and cold. Only use new coolant when replenishing or adding coolant.

Regularly check the coolant level.

- Turn the fill cap **A** situated on the heat exchanger to its first stop to release the system pressure and then remove the cap.
- Check the coolant level: it must be between 1 and 2 cm below the edge of the exchanger.
- Top up if necessary. Fill the heat exchanger slowly with coolant up to the maximum level in order to let the air escape.
- Run the engine for few minutes and keep it idling. Stop the engine, wait a few moments, then check the coolant level again. Fill again if necessary.

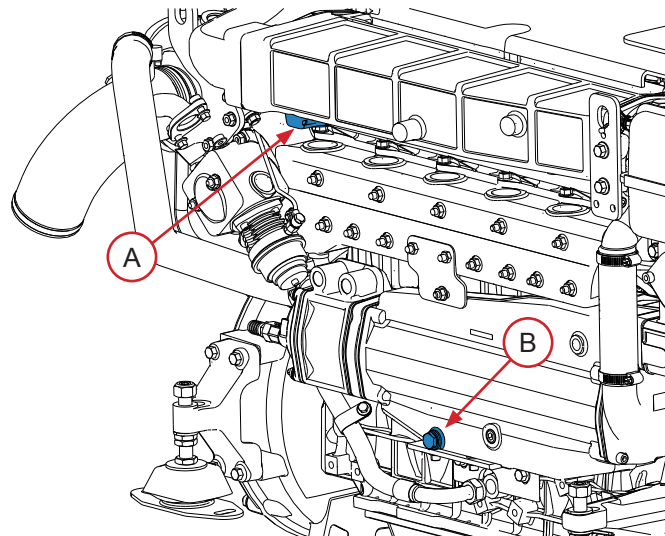


Cooling circuit - coolant

Draining the cooling circuit

The coolant in the cooling circuit must be drained in order to remove the various deposits that can build up in the circuit.

- Start the engine and let it run at idle for few minutes.
- Stop the engine, remove the key from the instrument panel, and let the engine cool to avoid burns.
- Place a pail under the drain caps **A** and **B** then untighten it.
- Let the coolant run out until the exchanger is empty.
- Clean the inside of the heat exchanger by following the instructions below before closing the caps.



Rinsing the cooling circuit

The cooling circuit must be rinsed after emptying.

- Remove the fill cap situated on the top of the heat exchanger and the two drain caps.
- Clean the inside of the heat exchanger with clean water by placing a hose in the fill cap.
- Continue until clean water runs from the drain orifice.
- Close the caps then refill with coolant.

Cooling circuit - seawater

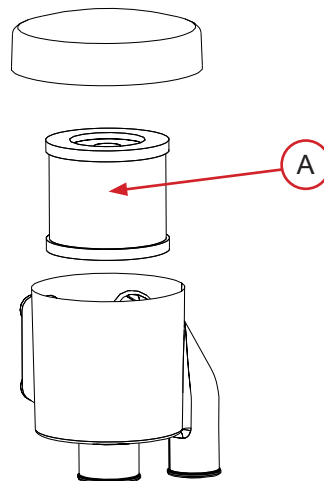
⚠ Attention ! : When the craft is in the water, there is a risk of water penetrating the craft when working on the seawater circuit. Water can penetrate the craft via circuit components found below the waterline. Close the seawater intake valve (if fitted) or prevent water discharge before working on this circuit!

Cleaning the seawater circuit is essential to preventing the formation of deposits and salt crystals. The presence of a seawater filter between the pump and the water intake is mandatory. Check and clean the filter regularly.

Cleaning the seawater filter

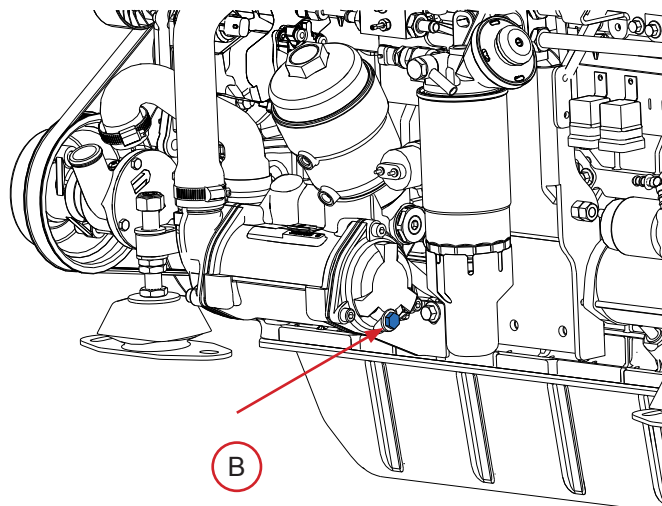
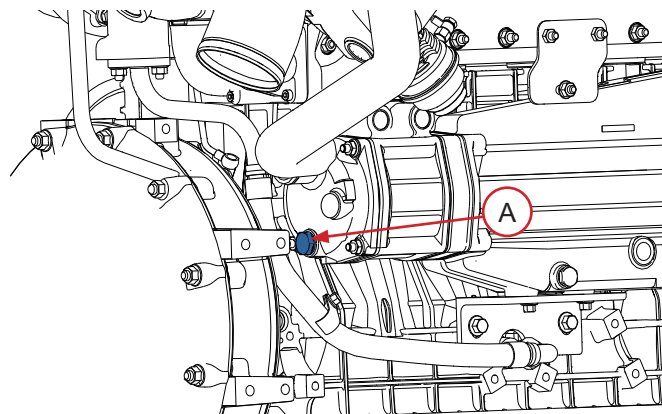
The seawater filter is an optional component. These instructions are given as an example only.

- Check the condition of the seawater filter with the engine stopped. If deposits have formed, remove the filter in order to clean it.
- Remove the cover and then the filtering part **A**. Remove all the debris on the housing.
- Rinse the filter and the housing with fresh water and check the condition of the seal, then re-install all the components and check there are no water and/or air leaks in the circuit when operational.



Draining the seawater circuit

- Close the seawater intake valve.
- Place a pail under the drain caps **A & B**
- Remove the caps **A & B**
- Let the water flow in the pails
- Refit the caps
- Drain also the exhaust circuit. A small amount of water may remain in the bottom of the waterlock box.

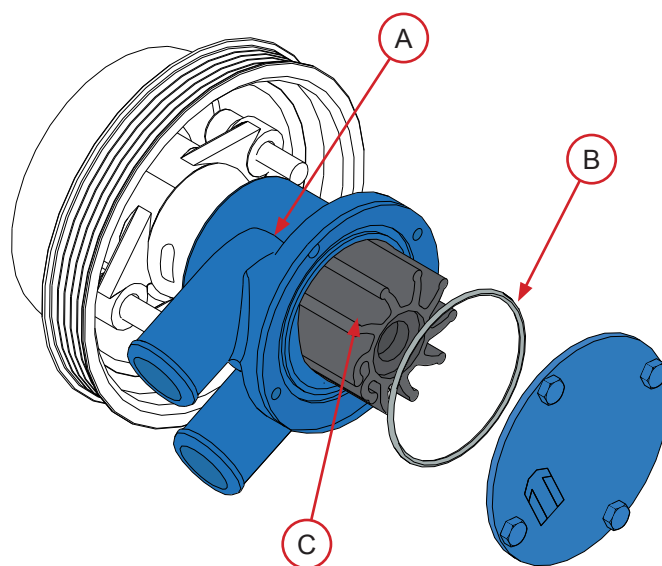


Cooling circuit - seawater

Replacing the seawater pump rotor

The seawater pump rotor is an essential component. It must be replaced regularly along with the seal. A worn rotor could crack and damage the cooling system. Always have a replacement rotor on board the craft.

- Close the seawater intake valve.
- Remove the seawater pump cap **A** and the seal **B**, then remove the rotor **C** without damaging it.
- Check the condition of the rotor: replace it if even the most minor defect is noted.
- Clean the elements retained.
- Fit a new rotor by turning it clockwise.
- Lubricate the pump casing and the inside of the lid with waterproof grease for rubber.
- Refit the water pump cap using a new seal.
- Open the seawater intake valve and then start the engine to check that the circuit is leak-tight.



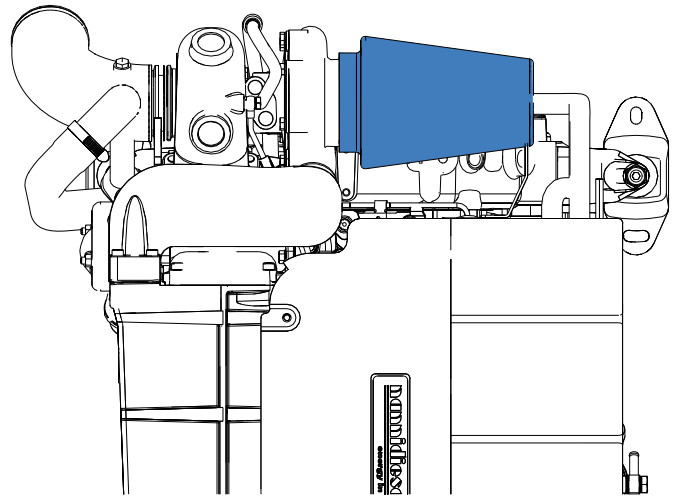
Air filter

⚠ **Attention!** : Carry out these operations when the engine is stopped and cold.

The air filter essentially reduces the level of noise made by the engine and purifies the air injected into the combustion chamber.

If the filter is too clogged, replace it. If it is not:

- Remove the hose retaining ring and remove the filter.
- First clean the filter with compressed air and then rinse it with clean water.
- Let it dry completely at ambient temperature and then replace it.



Engine electrical system

⚠ **Attention!** : Stop the engine and cut the battery supply before working on the electrical circuit.

Alternator belt

Make this check after running the engine when the belt is slightly hot.

⚠ **Attention!** : Some parts of the engine can be extremely hot.

To replace the belt, act on the tensioner **A** until the holes **B** are aligned then use a locking pin to lock it. You can then take off and replace the belt.

After replacing it, move the tensioner **A** to release the locking pin and remove it in order to tighten the belt. Then release the tension on the automatic tensioner **A** which will then apply the correct tension on the belt.

Check the electrolyte level.

The starter battery must remain clean and dry. Oxidation or the deposit of impurities on the battery and on its terminals may lead to short circuits, voltage drops and premature discharging, notably in wet weather.

The battery terminals and the cables must be cleaned with a brass brush in order to remove any oxidation. Tighten the cable terminals and lubricate them with appropriate grease.

If the battery is replaced, use a battery with similar specifications to the previous one.

If starting with an emergency battery and connection cables, proceed as follows:

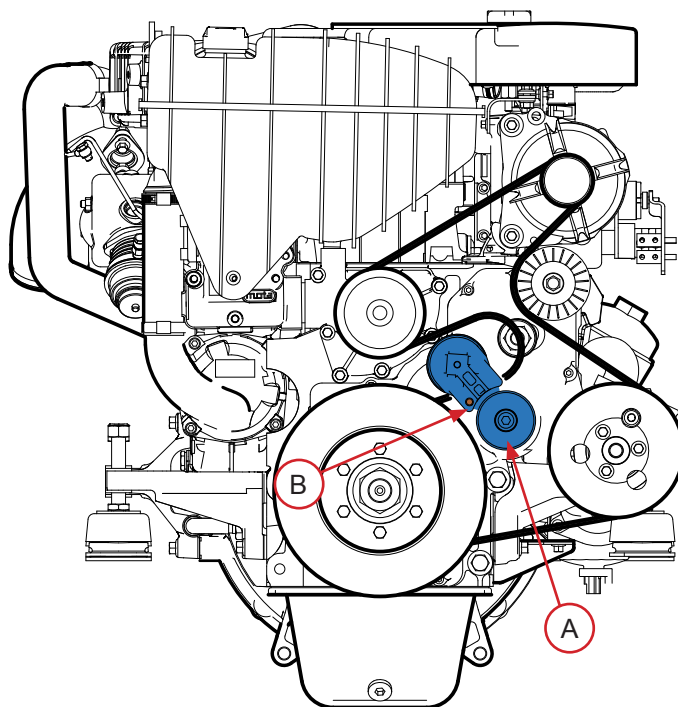
- Connect the emergency battery to the main battery by connecting the + to the + and the - to the -. When the engine has started, remove the connection cables.

You should disconnect the 2 battery cables when:

- You use a battery charger
- Before carrying out any work on the electrical equipment
- Before carrying out any welding work

Changing fuses

The protective fuses in the electrical system are disposable. These blown in the event of a voltage surge or a short-circuit in order to prevent any damage to the parts. In the event some anomaly has caused a fuse to blow, find the cause before changing the fuse. Always use a fuse with the properties as the one being replaced



Protection against corrosion - Zinc anode

When at least two different kinds of metal are immersed in seawater, polluted water or water with a high mineral content, a chemical reaction occurs and an electrical current is established between the metals.

This electrical current leads to the metal that is more active from a chemical point of view, or more anodic metal being eroded. If this is not controlled, this galvanic erosion can seriously damage the parts and propulsion system that are exposed to water.

In order to protect the engine and the seawater cooling system from corrosion, the engine is fitted with two sacrificial anodes located on the end cover of the exchanger.

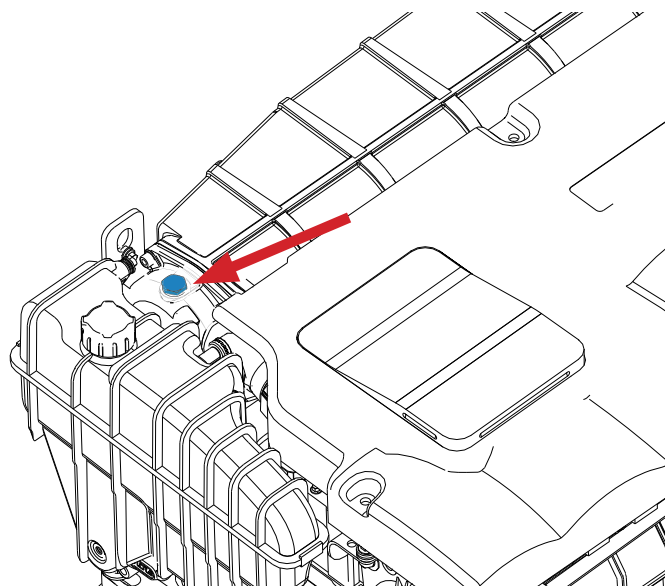
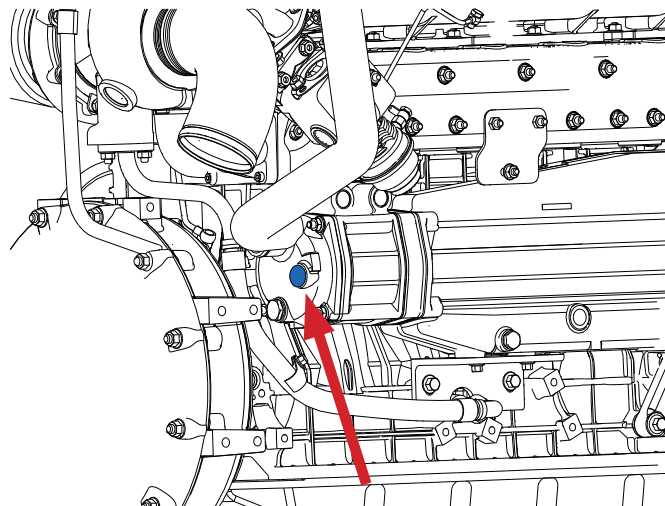
To remove the anodes

- Let the engine cool down
- Close the seawater intake valve
- Drain the seawater system
- Remove the set formed by a cap, a seam and the anode.

Remark: Remove the deposits from the surface of the anode using glass paper before determining the level of erosion. Do not use a soft steel brush as this could leave deposits that are likely to speed up corrosion.

If more than 50% of the anode has been used up, replace both it and the seal.

⚠ **Attention!** : Screw the anode cap back on tightly and do not forget to re-open the seawater intake valve.



Protecting the engine during periods of inactivity

A set of operations will protect the engine during long periods of non-use. **We recommend that you have these winterization operations carried out by a Nanni Diesel authorised workshop.**

During short periods of inactivity, carry out the following operations:

- Check all the electrical contacts and protect them with an anti-oxidant spray if necessary.
- Check the electrolyte level and that the battery is charged.
- Take the engine to its operating temperature (70-80°C) at least once a month.

For long periods of inactivity, carry out the operations below. This treatment is effective for 6 months. If the period of inactivity is extended, repeat this treatment.

1. Drain the engine and gearbox oil, change the oil filter and fill with new oil. Drain and replace the coolant.
2. Drain the fuel prefilter and replace the cartridge (if equipped).
3. Change the fuel filter and drain the fuel circuit with storage fuel.
4. Inspect the air filter. Change it if necessary.
5. Check that the injection pump rack moves freely (if equipped).
6. Inspect the control cables (make sure the engine is at idle and the gearbox in neutral).
7. Remove all the mechanical parts and the ancillary applications that could be damaged during the no-load operation of the engine.
8. Inspect the belts. Replace it if necessary.
9. Start the engine and let it operate few minutes without load.
10. Run the engine at 1500-1800 rpm for 15 minutes until the operating temperature (70-80°C) is reached.
11. Stop the engine and remove the start key from the panel.
12. Let the engine cool down to avoid the risk of burns.
13. Block all the openings (admission, exhaust, fuel line, air valve).
14. Loosen belts.
15. Remove and store the impeller of the sea water pump in a hermetic opaque container. Indicate clearly with a note on the engine «IMPELLER OF RAW WATER PUMP MISSING».
16. Remove the battery.

17. Spray an anti-damp spray on the engine and the electric parts (starter, alternator, wire harness connectors and panel).

18. Clean the hold and Install a dehumidifier.

19. Grease the control cables (if equipped)

Restarting the engine

After a period of inactivity, carry out the following operations before restarting the engine:

- Check that the battery is charged and the level of the liquid. Check that the electrical contacts are intact and working correctly.
- Check the oil level. If necessary fill the oil tank or drain the oil according to the intervals given in the Silverwake booklet.
- Replace the oil filter
- Check the coolant level. Fill with coolant if necessary or drain the coolant according to the intervals given in the Silverwake booklet.
- Replace the fuel filter according to the intervals given in the Silverwake booklet.
- Replace the air filter according to the intervals given in the Silverwake booklet.
- Re-tighten the belt.
- Check the tightness of the connections.
- Check the integrity of the impeller of the seawater pump and put it back into the pump.
- Remove the exterior protection treatment and all the covers.
- Start the engine and if no defaults appear, let it run for few minutes without load.
- Stop the engine and check the engine oil and coolant levels. Check for leakage.

Prolonged storage

For prolonged storage before or after being used for the first time, a specific set of measures should be adopted. Contact your Nanni Diesel authorised engineer.

Fault-finding

This section helps you to understand the different problems that may arise on your engine. The safest way to correct the problems you may encounter, however, is to contact a qualified Nanni Diesel dealer. Some operations must be carried out by a qualified Nanni Diesel authorised dealer. These operations are marked in bold in the tables below.

This non-exhaustive list serves as a tool in emergencies and should never be considered a repair procedure. Some of the components listed may not be part of your engine.

Faults and probable causes	
Engine does not start / starter does not turn	
Faults	Solution
Circuit breaker is open or fuse has blown	Check and re-install the circuit breaker or replace the fuse or replace the circuit breaker
Electrical circuit breaker is not working	
Battery switch is open (battery main switch)	Close the switch
Electrical connections are faulty	Check the electrical connections and wires (especially the battery cables) Clean and tighten the connections
Battery faulty	Test and charge or replace the battery if faulty
Starting procedure defective	Read and implement the starting procedure
Fuel tank empty or fuel valve closed	Fill the tank or open the valve
Fuel pump faulty	Replace the pump
Fuel filters clogged or water present	Clean or replace the fuel filters or drain the water from the prefilter then drain the circuit
Fuel contaminated or too old	Drain the tank if contaminated and fill with clean fuel
Fuel pipe or air pipe of tank blocked or bent	Replace the bent pipes or blow in compressed air to remove the obstruction
Air present in fuel injection system	Drain the injection system

Faults and probable causes

Engine overheats / Engine coolant temperature too high

Faults	Solution
Seawater valve is closed	Open the seawater valve
Seawater filter is clogged	Close the seawater valve and clean the filter
Seawater pump is sucking air	Check the position and seal of the seawater filter cover and the suction hose
Coolant circuit pump belt is slack or faulty	Re-tighten or replace the belt
Coolant pump is faulty	Replace the pump and the belt
Seawater pump rotor is faulty	Replace the rotor
Insufficient coolant	Fill with coolant and check that the cooling system is leak-tight
Thermostat is malfunctioning	Replace the thermostat
Cooling system is blocked	Locate the problem and clean
Closed cooling circuit is dirty	Clean and rinse
Loss of pressure in the closed cooling circuit	Check there are no leaks. Clean, inspect and check the fill cap
Coolant is unsuitable	Use the recommended coolant (see technical specifications)

Technical specifications

ENGINE SPECIFICATIONS	V6.270	V6.320	V6.350
Cycle	4 strokes Diesel		
Max. power - kW (hp)*	198 / 270	235 / 320	257 / 350
Number of cylinders / Arrangement	6 in line		
Displacement (cm ³)	4164		
Distribution	2 valves per cylinder		
Compression rate	17.5 : 1		
Aspiration	Turbo compressor and intercooler		
Bore x stroke (mm)	94 x 100		
Maximum rpm speed at full throttle (rpm)*	3800 ± 50 rpm		
Idle rpm speed (rpm)*	700 ± 50 rpm		
No load rpm speed (rpm)*	3900 ± 50 rpm		
Weight without gearbox (kg)	460		
INJECTION SYSTEM	V6.270	V6.320	V6.350
Injection	Direct Common Rail		
Injection order	1-5-3-6-2-4		
Injection pump	BOSCH Common Rail		
Injection pressure (bar)	1600		
LUBRICATION	V6.270	V6.320	V6.350
Type	Forced by pump		
Pressure at idle rpm speed (bar)	1 - 4		
Capacity (engine on an horizontal axis)	9 mini - 12.3 maxi		
COOLANT	V6.270	V6.320	V6.350
Pressure setting of the plug (bar)	1		
Coolant capacity (50% water - 50% antifreeze)	18		
ELECTRICAL	V6.270	V6.320	V6.350
Starter (kW)	2.3		
Battery capacity (Ah)	100-150		
Alternator (V / A)	12 / 110		

* At engine flywheel, as per ISO 8665-1

Certain specifications may vary depending on your order.

The recommended cruising speed is 200 rpm under the maximum rpm speed at full throttle

Nanni Industries S.A.S.

11, Avenue Mariotte - Zone Industrielle

BP 107- 33260 La Teste France

Tel : + 33 (0)5 56 22 30 60

Fax : +33 (0)5 56 22 30 79

E-mail : contact@nannidiesel.com

ISO 9001

BUREAU VERITAS
Certification



© 2009 - **Nanni Industries S.A.S**

The images, text and information contained in this document are based on the product specifications at the time this document was published. Nanni Diesel reserves the right to alter this document without notice.

Notice de conduite

Moteurs Diesel marin

V6.270

V6.320

V6.350

Sommaire

Précautions de sécurité	3
Présentation	6
<i>Plaques signalétiques</i>	6
<i>Équipements supplémentaires</i>	6
<i>Garantie</i>	7
<i>Responsabilité environnementale</i>	7
<i>Préparation avant la mise en service</i>	7
<i>Approvisionnement en combustible</i>	7
<i>Comportement de l'embarcation</i>	7
Tableaux de bord	8
<i>Voyants & alarmes</i>	9
<i>Levier de commande</i>	9
Principaux organes du moteur	10
Contrôle de l'installation	11
Fonctionnement du moteur	12
Avant le démarrage	12
Démarrage du moteur	12
En fonctionnement	13
<i>Passage de vitesse marche avant / arrière</i>	13
<i>Rodage</i>	13
Arrêt du moteur	13
Arrêt d'urgence	13
Après l'arrêt du moteur	13
Entretien	14
Contrôles quotidien	15
Système d'alimentation	16
Purge du circuit de carburant	16
Remplacement du filtre à gazole	16
Remplacement du préfiltre à carburant	17
Vidange de l'eau dans le préfiltre à carburant	17
Système de lubrification	18
Contrôle du niveau et ajout d'huile moteur	18
Remplacement de la cartouche de filtre à huile	18
Vidange de l'huile moteur	20
Circuit de refroidissement - liquide de refroidissement	20
Remplissage de liquide de refroidissement	21
Vidange du circuit de refroidissement	21
Rinçage du circuit de refroidissement	21
Circuit de refroidissement - eau de mer	22
Nettoyage du filtre à eau de mer	22
Vidange du circuit d'eau de mer	22
Remplacement du rotor de la pompe à eau de mer	23
Filtre à air	24
Système électrique du moteur	25
Contrôle niveau de l'électrolyte	25
Changement des fusibles	25
Protection contre la corrosion - Anode de zinc	26
Protection du moteur en cas d'inactivité	27
Remise en service du moteur	27
Dépannage	28
Caractéristiques techniques	30

Précautions de sécurité

Lisez ce chapitre attentivement, il concerne votre sécurité. La plupart des accidents sont dus au non respect des règles de sécurité élémentaires. Soyez conscient des risques que peut comporter la manipulation de votre moteur et veillez à prendre les précautions nécessaires pour vous, votre entourage et votre équipement.

Ce manuel comporte des indications de sécurité et des informations importantes.

Celles-ci sont présentées ainsi :

⚠ Danger ! : Ce symbole signale des risques d'accidents et de blessures corporelles sévères, de dégâts matériels importants ou de pannes mécaniques graves en cas de non respect des instructions.

Diverses informations figurent directement sur le moteur sous forme de logo. Celles-ci ont pour but de vous renseigner rapidement sur la localisation de certains composants et de vous prévenir contre d'éventuels dangers lors d'une intervention.

Veillez à toujours garder visible ces indications, les remplacer si nécessaire.



Indique qu'il est primordial de lire attentivement la notice avant toute manipulation du moteur.



Localise des dangers d'ordre électrique.



Localise les parties chaudes où les risques de brûlures sont importants.



Cette icône indique un risque d'incendie.



Stipule qu'il est fortement déconseillé de fumer, de produire des flammes ou des étincelles à proximité.



Localise une zone où les fluides sont sous-pression.



Localise les parties rotatives dangereuses



Localise le ou les orifices de désaération (purge d'air).



Localise où vérifier le niveau de liquide de refroidissement.



Localise où vérifier le niveau d'huile moteur.



Localise l'orifice de vidange de liquide de refroidissement.



Localise l'orifice de vidange du réservoir d'huile.

⚠ Attention ! : Signale un danger corporel et/ou matériel lors de la manipulation d'un composant.

Remarque : Indique qu'une information importante est à prendre en compte, afin de vous faciliter une manipulation ou lors de cas particuliers.

L'utilisation et la manipulation d'un moteur comportent des risques et peuvent s'avérer très dangereuses. Certaines interventions demandent des connaissances et un matériel spécifique, celles-ci doivent être réalisées par un personnel agréé Nanni Diesel ou par un professionnel. Si vous devez intervenir sur le moteur, respectez scrupuleusement les consignes de sécurité contenues dans ce manuel.

⚠ Gaz d'échappement

Les gaz d'échappement contiennent du monoxyde de carbone. Ce gaz incolore et inodore est extrêmement nocif et peut entraîner un empoisonnement pouvant causer des pertes de conscience ou la mort. Les premiers symptômes d'une intoxication au monoxyde de carbone sont les suivants :

- Vertige
- Nausée
- Maux de tête
- Palpitation au niveau des tempes
- Vomissement
- Fatigue et endormissement
- Crispation musculaire

Si vous ou tout autre personne se trouvant à proximité du moteur ressent l'un de ces symptômes, quittez la zone de fonctionnement du moteur et mettez-vous à l'air libre. Si les symptômes persistent, consultez un médecin et faites vérifier votre moteur.

⚠ Risque de choc électrique

Ne jamais toucher les connecteurs électriques lorsque le moteur est en marche ou lorsque le système est branché sur une prise de quai. La tension aux bornes de ces connecteurs peut être mortelle.

N'intervenez pas sur le moteur sans protections : lunettes et gants de protection, tapis isolants, etc.

Coupez toujours le moteur et le courant avant toute intervention sur le système électrique. Isolez l'alimentation de prise de quai de l'ensemble des équipements du circuit électrique.

Assurez-vous que vos vêtements et votre peau ne soient pas humides ou moites lorsque vous manipulez un équipement électrique. Enlevez vos montres, bracelets, bijoux lorsque vous intervenez sur un équipement électrique.

La manipulation d'un condensateur encore chargé est dangereuse et peut causer une électrocution.

⚠ Risques de brûlures

Ne jamais toucher les parties chaudes du moteur ou le circuit d'échappement.

Un moteur en marche chauffe beaucoup : le coude et tuyau d'échappement, le turbocompresseur, le démarreur, carter d'huile, l'huile, le liquide de refroidissement circulant dans les durites et flexibles sont chauds et peuvent brûler.

Vérifiez toujours le niveau de liquide de refroidissement avant de démarrer le moteur.

Les liquides éjectés sous pression peuvent provoquer de graves blessures.

Libérez toute pression dans les circuits avant de retirer les bouchons.

Ne pas ouvrir les bouchons des circuits de liquide de refroidissement et d'huile lorsque le moteur tourne et/ou lorsqu'il est chaud.

Ne jamais démarrer ni faire tourner le moteur lorsque le bouchon de remplissage d'huile n'est pas vissé, de l'huile chaude pouvant être projetée.

En cas de contact d'un de ces fluides, consultez immédiatement un médecin.

Si le moteur chauffe trop, coupez le contact et le courant et attendez que le moteur refroidisse avant de le manipuler.

⚠ Risques d'incendie

Ne fumez pas et n'approchez pas de flammes ni d'étincelles à proximité du moteur ou de toute source potentielle de vapeurs et de liquides inflammables.

Ne faites pas tourner le moteur sans filtre à air.

Ne faites pas tourner le moteur dans une zone de stockage de matériaux inflammables, explosifs, ou comportant une présence de gaz. Remisez les liquides inflammables hors du compartiment moteur.

Nettoyez immédiatement les liquides renversés sur vous ou au sol et gardez le compartiment du moteur propre et accessible afin de minimiser les risques d'incendie. Soyez prudent, le gasoil peut brûler.

⚠ Risques d'explosion

Une explosion due à des vapeurs de gasoil peut causer de graves blessures ! Suivez scrupuleusement les règles de sécurité lors du plein de carburant.

Ouvrez et ventilez le lieu de stockage du moteur après avoir fait le plein. Vérifiez qu'il n'y a pas de vapeurs ou de fuites de gasoil avant de démarrer le ventilateur (si équipé). Mettez le ventilateur en marche durant 5 minutes avant de démarrer le moteur.

Toutes les vapeurs de gasoil sont inflammables et explosives. Soyez prudent lors de la manipulation et le stockage de gasoil. Stocker le gasoil dans un endroit ventilé à l'écart de sources d'étincelles et de flammes, hors de portée des enfants.

Arrêtez le moteur avant de faire le plein de carburant et ou de lubrifiant. Ne fumez pas et n'approchez pas de flamme pendant le plein de carburant et/ou de lubrifiant. Portez des gants pour rechercher une fuite éventuelle.

Ne pas modifier ou détériorer le circuit de carburant. Fermez le circuit de carburant lors de toute intervention sur celui-ci.

Assurez-vous d'avoir toujours à portée de main un extincteur adéquat en état de marche.

⚠ **Démarrage accidentel**

Un démarrage accidentel peut être la cause de graves blessures et causer la mort !

Déconnectez la batterie avant d'intervenir sur le moteur.

Assurez-vous que personne ne soit à coté du moteur ou en train d'intervenir sur celui-ci avant de le démarrer. L'hélice en mouvement peut provoquer de graves blessures.

Assurez-vous que toutes les protections soient en place avant de démarrer le moteur.

⚠ **Risques d'explosion des batteries**

L'explosion d'une batterie peut causer de graves blessures et causer la mort !

Ne pas fumer ou approcher une source de flamme ou d'étincelle près des batteries. Celles-ci produisent de l'hydrogène, qui peut s'allumer et exploser au contact d'un arc électrique ou d'une flamme. Eteignez tous les appareils électriques à proximité lorsque vous intervenez sur les batteries.

Ventilez correctement le compartiment de stockage des batteries.

Évitez de toucher les bornes de la batterie avec des outils en métal, afin de ne pas créer d'étincelles qui pourrait causer une explosion. Enlevez vos bagues, bracelets et colliers avant de manipuler les batteries.

⚠ **Acide de batterie**

L'acide contenu dans les batteries peut causer de graves blessures et causer la mort !

Lors de l'entretien des batteries, portez des gants et des lunettes de protection. Une batterie contient de l'acide sulfurique extrêmement corrosif.

En cas de contact avec la peau, rincez abondamment à l'eau douce et contactez un médecin.

De l'acide peut jaillir des batteries lors de leur manipulation.

⚠ **Gaz d'échappement**

Assurez-vous que le circuit d'échappement expulse correctement les gaz émis par le moteur. Vérifiez régulièrement que le circuit d'échappement n'a pas de fuite et que le coude d'échappement soit bien fixé.

Faites fonctionner le moteur dans un espace bien aéré et ventilé, à l'écart des personnes. Faites fonctionner le ventilateur lorsque le moteur est en marche.

⚠ **Partie en rotation**

Les parties en rotation peuvent être extrêmement dangereuses et causer de graves blessures et la mort !

N'intervenez pas sur le moteur lorsque celui-ci est en marche. Si une intervention moteur en marche est absolument nécessaire, veillez à ne pas toucher une partie chaude ou en rotation.

Les vêtements amples, les cheveux ou les objets peuvent

être aspirés et/ou entraînés et causer de graves blessures ou d'importants dégâts matériels.

Ne pas porter de bracelets, colliers ou bagues lors d'une intervention sur un moteur.

Assurez-vous que les boulons et les vis soient bien serrés et que les protections soient bien en place.

Ne pas vérifier les niveaux des fluides ou la tension de la courroie de l'alternateur lorsque le moteur est en marche.

⚠ **Levage du moteur**

Pour soulever le moteur, utiliser les anneaux de levage placés sur l'appareil.

Veillez constamment à la solidité et à l'état général de l'équipement de levage. Utilisez un appareillage adéquate (câbles, poutres, engins, etc.) pour lever votre moteur, vérifiez que celui-ci est capable de soulever l'ensemble.

Les câbles et chaînes de levage doivent pouvoir manœuvrer parallèlement les uns par rapport aux autres.

N'oubliez pas que tout équipement supplémentaire monté sur le moteur peut modifier son centre de gravité.

Lors du levage, l'ensemble doit rester le plus parallèle au sol possible.

⚠ **Maintenance et pièce de rechange**

Les moteurs Nanni Diesel sont conçus afin de respecter différentes normes d'émissions tout en assurant une durée de vie et une fiabilité maximale.

Un entretien régulier et le remplacement des éléments par des pièces d'origine Nanni Diesel permettent de garder le moteur dans de bonnes conditions de fonctionnement.

Ces pièces peuvent être commandées auprès de tous les revendeurs Nanni Diesel agréés à travers le monde.

⚠ **Produits chimiques**

Les différents fluides utilisés pour le fonctionnement du moteur constituent un danger pour la santé.

Lisez attentivement les instructions figurant sur l'emballage de ces produits et veillez toujours à ce que la ventilation dans la cale soit bonne.

⚠ **Sécurité à bord**

Maîtrisez parfaitement le code nautique et les règles de sécurité en mer ; n'hésitez pas à contacter les autorités ou les organisations compétentes.

Évitez de faire des manœuvres trop brusques qui pourraient surprendre vos passagers.

Des remous créés à la poupe du bateau peuvent aboutir à un phénomène d'aspiration des gaz d'échappement dans la cabine. Dans ce cas là n'ouvrez aucune trappe ou soupape du bateau, et essayez de changer de réglages de navigation (vitesse, répartition des masses).

Vérifiez l'équipement de sécurité à bord avant chaque sortie. Se référer au matériel obligatoire par pays.

Présentation

Vous avez choisi un moteur Nanni Diesel, merci de votre confiance !

Pour l'entretien de votre équipement, adressez-vous à un revendeur agréé Nanni Diesel. Vous pouvez retrouver la liste des revendeurs sur notre site Internet à l'adresse :

www.nannidiesel.com

Les moteurs Nanni Diesel sont issus de nombreuses années d'expérience dans le développement de moteurs marins et d'équipements destinés à un usage en pleine mer. Ces équipements ont été conçus dans le but de vous faciliter la vie à bord tout en vous offrant un maximum de sécurité et une fiabilité accrue.

Cette notice d'utilisation concerne les moteurs

- V6.270
- V6.320
- V6.350

Ces moteurs de 6 cylindres en ligne ont été développés à partir des toutes dernières innovations en matière de moteurs diesel. Leurs principales caractéristiques étant une injection directe à rampe commune (Common Rail), un turbocompresseur et un bloc moteur rigide de type tunnel.

Leur système d'injection est contrôlé électroniquement par un module de commande (ECU). Ce module gère la quantité de gasoil injecté en fonction de différents paramètres.

Ces moteurs sont également équipés de fusibles de protection du circuit électrique qui se déclenchent en cas de surcharge de courant ou de court-circuit, afin d'éviter d'endommager les composants.

Avant toute manipulation, assurez-vous d'avoir en votre possession le manuel correspondant à votre moteur. La plaque signalétique vous indique la dénomination exacte de votre moteur. Si le manuel en votre possession n'est pas le bon, contactez votre revendeur agréé Nanni Diesel.

Lisez attentivement et dans son ensemble le contenu du présent manuel ainsi que celui de la transmission avant de démarrer le moteur.

Apportez un soin particulier aux informations relatives à la sécurité des personnes. Le présent manuel doit être disponible en permanence sur le lieu d'utilisation du moteur.

Nous vous conseillons de contrôler visuellement l'état général de votre moteur et de la transmission avant et après chaque utilisation, afin de vous familiariser avec les différents équipements et détecter plus facilement toute fuite de carburant, d'huile ou de liquide de refroidissement, ainsi que toute usure anormale des principaux organes.

Toutes les informations et spécifications contenues dans ce manuel sont basées sur les données techniques en application au moment de la publication. Des modifications

et mises à jour peuvent être introduites sans préavis de la part de Nanni Diesel.

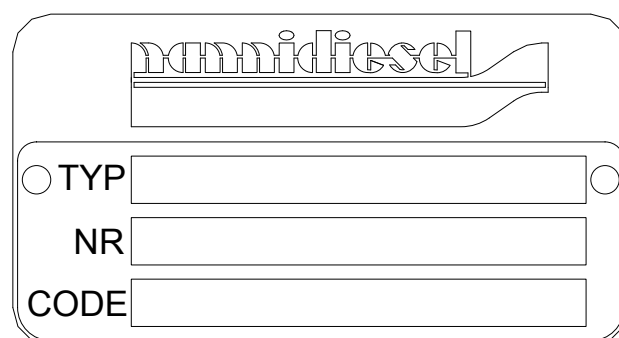
Certaines images, schémas ou équipements décrits dans ce manuel peuvent ne pas représenter exactement (ou ne pas faire partie) de la fourniture de votre moteur.

Plaques signalétiques

Votre ensemble de propulsion possède deux plaques signalétiques : une pour le moteur, et une autre pour la transmission.

Veillez à garder ces plaques accessibles et en bon état. Notez le numéro de série et la désignation du moteur et de la transmission afin de les conserver. Ces numéros vous seront utiles en cas d'intervention sur le moteur, de commande de pièces ou de recours en garantie.

La plaque signalétique du moteur se présente comme suit :



TYP indique la désignation commerciale du moteur (exemple: V6.270).

NR indique le numéro de série du moteur.

CODE récapitule les différentes spécifications de votre moteur.

Equipements supplémentaires

Votre moteur peut être équipé d'équipements optionnels (alternateurs, générateur intercalé, propulsion hybride, pompes, Trolling valve, etc.)

Reportez-vous à la documentation supplémentaire relative à ces équipements ou contactez votre revendeur agréé Nanni Diesel pour plus d'informations.

Garantie

Le propriétaire du moteur est responsable de tous les examens de sécurité, de l'entretien ainsi que du respect des consignes de maintenance telles que décrites dans ce manuel et dans le carnet de garantie Silverwake. La performance et la fiabilité de votre moteur reposent sur l'application de ces consignes.

La maintenance doit être confiée à un spécialiste agréé par **Nanni Diesel**. Les opérations de maintenance réalisées par un représentant agréé conditionnent la validité de la garantie.

L'usure des composants ainsi que les frais d'entretien découlent naturellement de l'utilisation du moteur, ils ne constituent donc pas des défauts de fabrication ou de matériel aux termes de la garantie.

Nous déconseillons fortement toute modification du réglage du régime moteur, ainsi que toute modification technique (accessoires, pièces de rechange, équipements attelés, etc.) non-agrèée par Nanni Diesel.

Toute modification entrainera l'annulation de la garantie car nous ne pouvons engager notre responsabilité pour des interventions sur lesquelles nous n'avons aucun contrôle.

Responsabilité environnementale

Nanni Diesel développe ses moteurs afin qu'ils aient une incidence minimum sur l'environnement et une durée de vie maximale.

Cependant, cet objectif n'est réalisable que grâce à votre pleine collaboration.

Nos directives d'utilisation et d'entretien sont là pour vous guider au mieux afin de protéger votre moteur et d'adopter un comportement responsable vis-à-vis de l'environnement.

Veillez à n'utiliser que les carburants et huiles préconisés dans ce manuel. L'utilisation d'un autre type de carburant ou d'huile peut provoquer d'importants dysfonctionnements du moteur : augmentation de la consommation, réduction de la durée de vie du moteur, rejet plus important de gaz d'échappement.

Lors de la vidange d'huile et du changement de filtre à huile ou à carburant, veillez à déposer les déchets dans un conteneur prévu à cet effet.

Ces fluides rejetés dans la nature causent des dégâts importants à l'ensemble de la faune et de la flore. Demandez un kit absorbant au pompiste en cas de rejet accidentel d'hydrocarbures dans l'eau.

Préparation avant la mise en service :

Lorsque le moteur a été installé à bord, et avant d'enlever les protections obturant les différents orifices, nettoyez la surface extérieure de l'ensemble.

Pour des raisons liées au transport, certains de nos moteurs sont livrés vides de liquides de fonctionnement, dans tous les cas, il faut impérativement :

- Contrôler les niveaux et si besoin effectuer le plein d'huile du moteur.
- Effectuer le plein de liquide de refroidissement de l'échangeur, effectuer les opérations de dégazage.
- Vérifier la tension des courroies.
- Vérifier le serrage des différents raccords et bouchons de vidange (eau et huile).
- Vérifier le serrage des cosses aux bornes de batterie, coupe-circuit, raccordement des rallonges, niveau d'électrolyte des batteries.
- Effectuer un dernier contrôle de la fixation ainsi qu'un contrôle visuel de l'ensemble du moteur.
- Vérifier le fonctionnement du système de ventilation.

△ **Attention !** : Les moteurs diesel modernes sont des équipements de précision, qui nécessitent l'utilisation de carburant et de lubrifiant de haute qualité.

Approvisionnement en combustible :

Lors de l'approvisionnement en combustible, s'assurer que celui-ci ne contient aucun résidu; dans le cas contraire, utiliser des filtres spéciaux.

Eviter d'employer du combustible mélangé avec de l'eau ou d'autres substances sous peine d'endommager le moteur.

Le rendement du moteur est influencé par la température du combustible, par la température et l'humidité relative de l'air d'aspiration ainsi que par l'altitude.

Comportement de l'embarcation :

La répartition des masses à bord peut modifier le centre de gravité du bateau et avoir des répercussions sur son comportement en navigation.

L'état de la coque du bateau est également un facteur déterminant. Une coque sale et/ou abimée modifiera le comportement du bateau.

L'hélice doit être adaptée au bateau et à l'utilisation qui en est faite. **Une hélice inadaptée est souvent la cause d'un mauvais fonctionnement du bateau.**

Tableaux de bord

Le tableau de bord vous fournit des indications importantes sur le moteur lorsque celui-ci fonctionne. Vérifiez régulièrement ces informations lorsque le moteur est en marche. La position ou l'aspect des instruments représentés ici peut varier en fonction du type de tableau de bord. Tous les tableaux de bord n'étant pas composés de tous ces éléments.

Une fois le moteur démarré et en fonctionnement normal, aucun des voyants présents sur votre tableau de bord ne doit être allumé. Si l'un ou plusieurs de ces voyants s'allument, arrêtez le moteur et faites le contrôler par un représentant agréé Nanni Diesel.

1. Compte tours. Indique le régime de rotation du moteur en tr/min.

2. Horamètre/Voltmètre. Enregistre les heures de fonctionnement du moteur et indique la tension de charge de la batterie du moteur lors de la mise sous tension (contact).

3. Pression d'huile moteur. Attention, cet indicateur n'indique pas le niveau d'huile moteur. Cet indicateur indique la pression d'huile. Le voyant situé dans le compteur s'allume et une alarme sonore se déclenche en cas de chute de pression d'huile dans le circuit de lubrification.

Au ralenti, la pression est généralement plus basse.

⚠ Danger ! : Si cette alarme se déclenche, arrêtez le moteur - sauf en cas d'extrême urgence - et contactez un revendeur agréé Nanni Diesel.

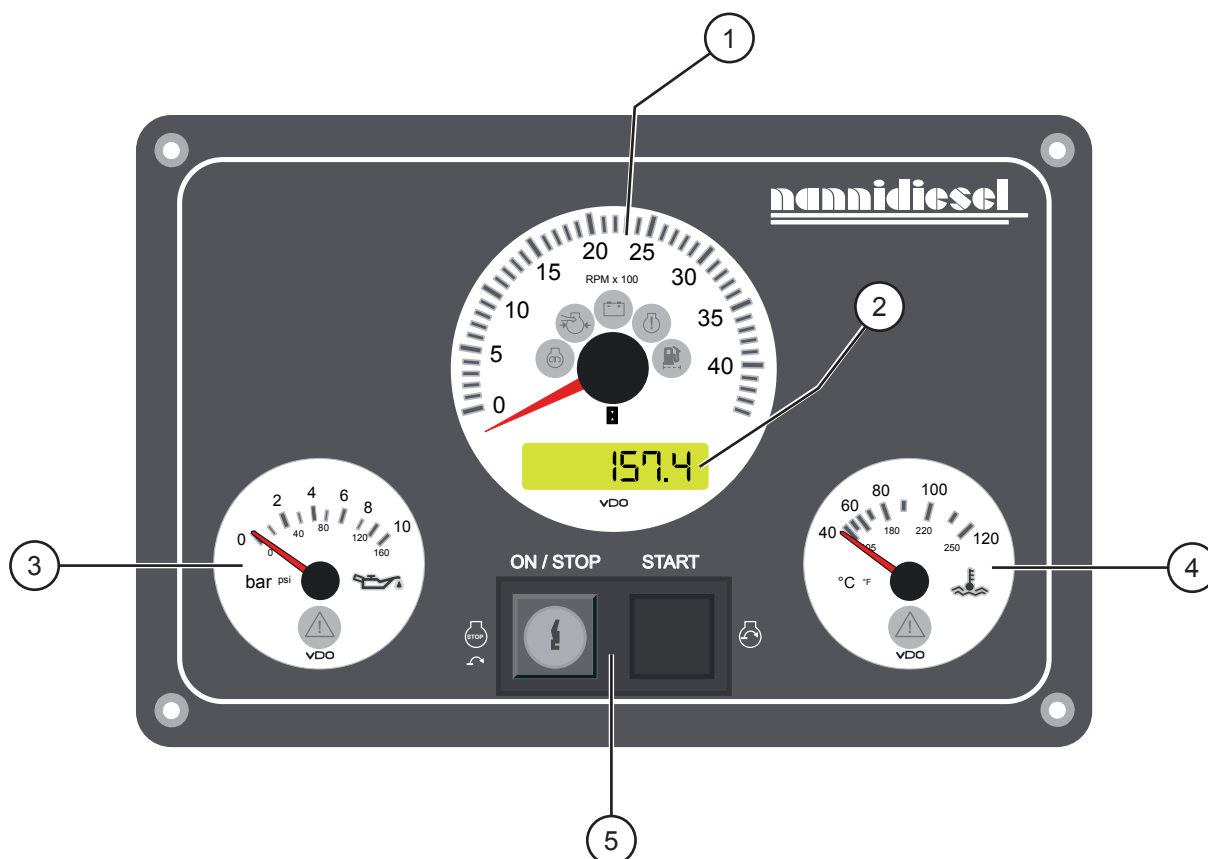
4. Température du liquide de refroidissement. Indique la température du liquide de refroidissement. Le voyant situé dans le compteur s'allume et une alarme sonore se déclenche en cas de surchauffe dans le circuit de refroidissement.

En utilisation normale et après la période de démarrage, la température doit se situer entre 75 et 85 degrés Celsius.

⚠ Danger ! : Si cette alarme se déclenche, abaissez le régime jusqu'au ralenti quelques minutes et vérifiez que l'eau de mer s'écoule bien par l'échappement. Si l'eau ne s'écoule pas ou que la température ne baisse pas, arrêtez le moteur - sauf en cas d'extrême urgence - et contactez un revendeur agréé Nanni Diesel.

5. Interrupteur/clé de démarrage. Cet organe commande le démarrage et l'arrêt du moteur. L'interrupteur à clé ON/STOP permet la mise sous tension et l'arrêt du moteur, le bouton START permet de le faire démarrer.

Certains tableaux (dits « à bouton ») peuvent ne pas être équipés de clé de démarrage. Le bouton ON/STOP permet de mettre le contact.



Voyants & alarmes

6. Préchauffage. Ce témoin est allumé lorsque les bougies préchauffent les chambres de combustion (si votre moteur en est équipé).



7. Charge batterie. Ce voyant s'allume lorsque le contact est mis. Si celui-ci s'allume lorsque le moteur tourne, cela traduit un défaut de charge de l'alternateur.



8. Voyant présence d'eau dans filtre à gasoil. Ce voyant s'allume lorsqu'une trop grande quantité d'eau se trouve dans le filtre à gasoil.



9. Voyant défaut système. Ce voyant indique la présence d'une panne ou d'un défaut sur le système électronique. Si ce voyant s'allume, contactez un représentant agréé Nanni Diesel.



10. Voyant surpression turbo. Ce voyant s'allume lorsque la pression de l'air au niveau du turbo est trop importante.



Levier de commande

Sur la plupart des bateaux, le levier de commande du moteur regroupe les fonctions de commande de régime et de changement de vitesse (passage en marche avant / marche arrière).

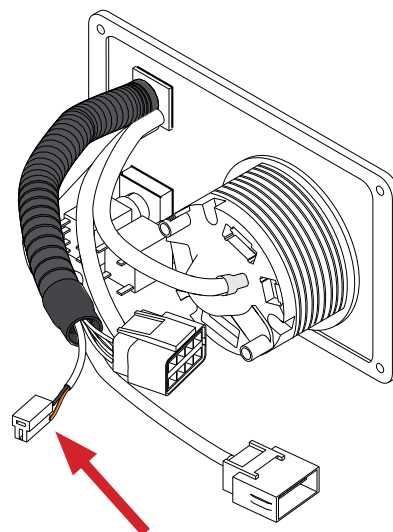
Certains bateaux peuvent cependant être équipés d'une commande d'inversion de marche ou d'une sécurité qui empêche le moteur de démarrer tant que le levier n'est pas au point mort.

Renseignez-vous auprès du constructeur du bateau afin de connaître le type de fonctionnement du levier de commande.

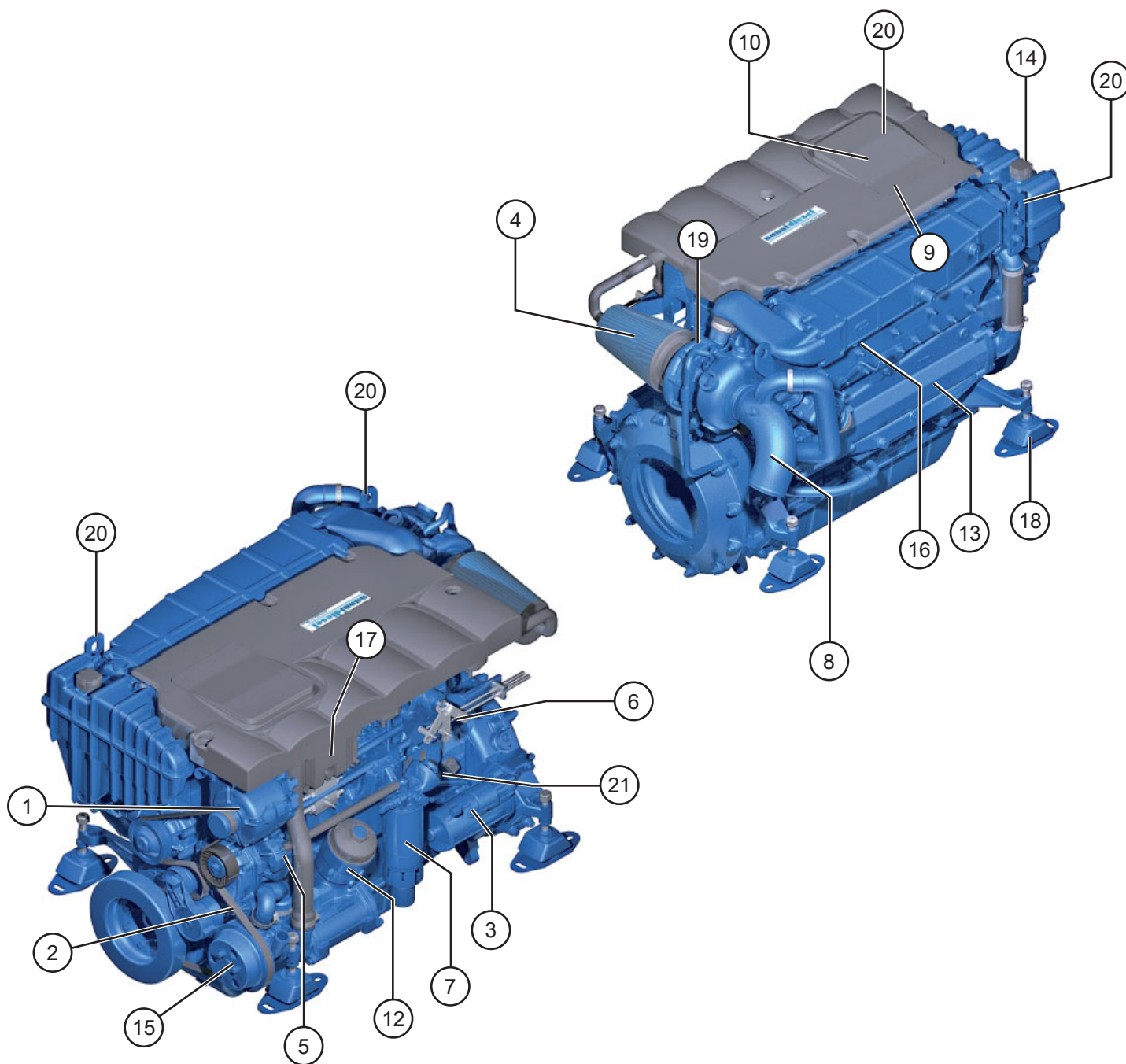
Sortie auxiliaire 12V tableau de bord

Les tableaux de bord de type A4, B4 et C4 sont équipés d'une sortie auxiliaire de 12V / 3A.

Les interfaces d'adaptation reliant les tableaux de bord de type Eco4, A4, B4 et C4 aux moteurs sont équipés d'un fusible de protection.



Principaux organes du moteur

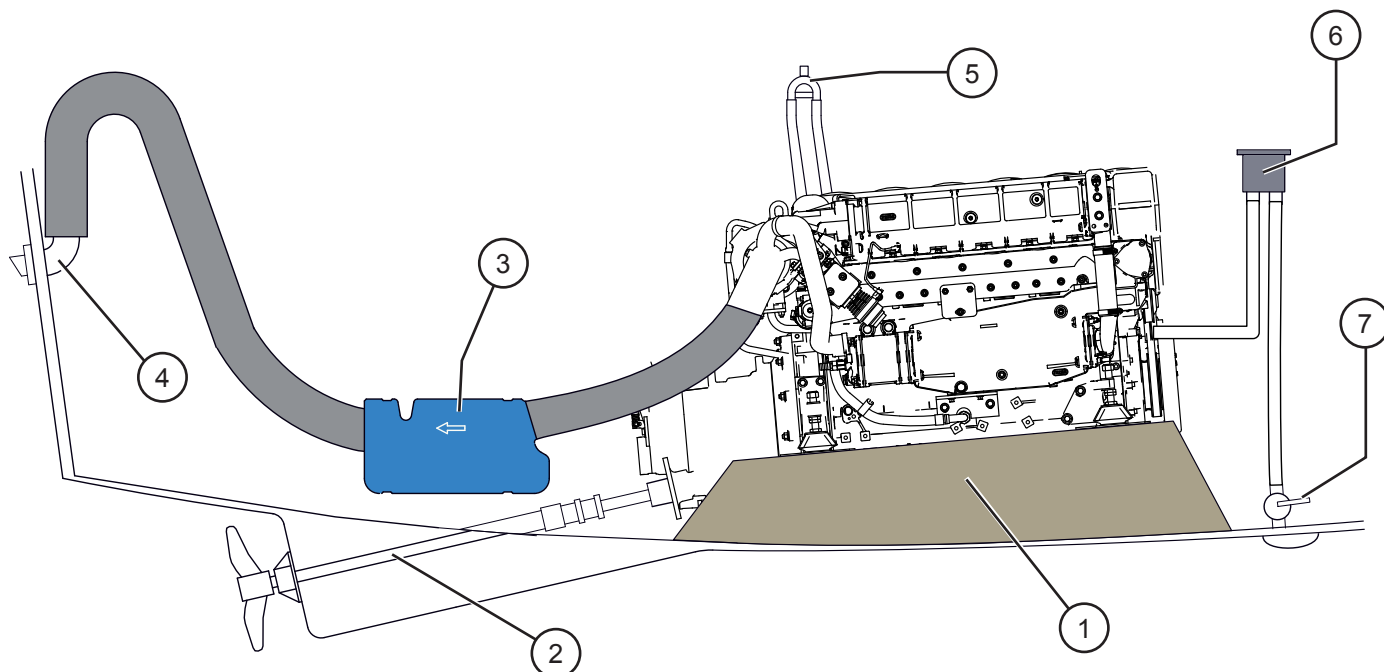


Certains équipements peuvent ne pas faire partie de votre moteur. Les moteurs équipés d'un système de refroidissement par Keel Cooling ne sont pas équipés d'une pompe à eau de mer.

- | | |
|---|---|
| 1. Alternateur | 12. Filtre à huile |
| 2. Courroie de l'alternateur | 13. Echangeur de chaleur |
| 3. Démarreur | 14. Orifice de remplissage liquide de refroidissement |
| 4. Filtre à air | 15. Pompe à eau de mer |
| 5. Pompe haute pression du système rampe commune. | 16. Bouchon de vidange échangeur |
| 6. Commande d'accélération | 17. Unité de contrôle électronique |
| 7. Filtre à gazole | 18. Suspensions souples |
| 8. Sortie d'échappement | 19. Turbocompresseur |
| 9. Orifice de remplissage d'huile | 20. Anneaux de levage |
| 10. Orifice de vidange d'huile | 21. Fusibles |
| 11. Jauge d'huile | |

Contrôle de l'installation

⚠ **Attention !** : L'installation de votre moteur doit impérativement être faite par un Chantier naval agréé ou par un représentant qualifié de Nanni Industries conformément aux instructions de montage à bord. Vous pouvez cependant contrôler quelques points importants sur l'installation du moteur.



1. Bâti moteur

Le bâti moteur doit être rigide et capable d'absorber toutes les contraintes dynamiques ainsi que le poids du moteur. Il doit être solidaire de la coque et lié à celle-ci par une surface aussi grande que possible.

Le moteur ne doit pas être incliné de plus de 15° lorsque le bateau est à l'arrêt.

2. Ligne d'arbre

Le choix de l'ensemble de propulsion doit être fait en fonction des contraintes liées au moteur, au bateau, et à l'utilisation qui en sera faite.

3. Pot d'échappement (waterlock)

Le pot d'échappement doit être positionné le plus près possible du moteur et le plus bas possible.

4. Sortie de coque

La sortie de coque doit se trouver à 15 cm au dessus de la ligne de flottaison. Le tuyau entre le pot d'échappement et la sortie de coque doit former un col de cygne afin d'éviter que de l'eau ne pénètre dans le système d'échappement par la sortie de coque.

5. Anti-siphon

Il est obligatoire sur les bateaux dont le moteur se trouve en dessous de la ligne de flottaison. L'anti-siphon doit être inséré en fin de circuit d'eau de mer avant injection dans le coude d'échappement et doit se situer au dessus de la ligne de flottaison, entre 0.5 mètre et 2 mètres.

6. Filtre à eau de mer

Il doit toujours être placé au minimum à 15 cm au dessus de la ligne de flottaison.

7. Vanne passe coque

Sur les voiliers et les bateaux ne dépassant pas 12 nœuds, l'entrée d'eau doit être tournée vers l'arrière du bateau.

Sur les bateaux à moteur dont la vitesse dépasse 12 nœuds, l'entrée d'eau doit être tournée vers l'avant.

Cale moteur

La température à l'intérieur du compartiment moteur ne doit pas excéder 50°C avec une différence de 20°C maxi avec la température ambiante.

Pour les bateaux lents, la ventilation doit être assurée par un ventilateur. La circulation de l'air frais devant se faire de l'avant vers l'arrière. L'entrée d'air devant se situer sur l'avant et en bas du compartiment moteur et la sortie à l'arrière et en haut afin de permettre un brassage optimum de l'air.

Installation électrique

Une installation électrique incorrecte ou défective peut être la cause de courants de fuite qui peuvent altérer la protection galvanique du moteur puis le moteur lui-même. L'installateur doit veiller à prendre toutes les précautions nécessaires afin d'assurer la protection du moteur contre la corrosion.

Fonctionnement du moteur

Avant le démarrage

⚠ **Attention !** : Avant la mise en route du moteur, s'assurer que la prise d'eau de mer est ouverte car il suffit d'un fonctionnement à sec pendant quelques secondes seulement pour détériorer le rotor de la pompe à eau de mer.

N'utilisez jamais d'aérosol de démarrage ou d'équivalent. Ces produits sont hautement inflammables.

Avant de tourner la clé de démarrage, et avant chaque utilisation:

- Ouvrir le ou les panneaux de cale pour aérer la cale complètement si elle n'est pas équipée d'un ventilateur. Sinon faire marcher le ventilateur de cale 5 minutes.
- Vérifiez le niveau de carburant
- Vérifiez que votre levier de commande est bien au point mort
- Ouvrez le robinet d'alimentation gazole et amorcer le circuit si nécessaire
- Ouvrez la vanne de prise d'eau à la mer (si équipé)
- Vérifiez qu'il n'y a pas de fuites de carburant, d'huile ou de liquide de refroidissement
- Vérifiez le niveau d'huile du moteur et faire l'appoint si nécessaire avec l'huile préconisée. Consultez le chapitre « Entretien » pour plus d'informations.
- Vérifiez le niveau du liquide de refroidissement et faire l'appoint si nécessaire avec le liquide préconisé. Consultez le chapitre « Entretien » pour plus d'informations.

⚠ **Attention !** : Veillez à bien refermer le capot moteur et remettre en place les éléments de protection avant la mise en marche du moteur.

- Fermez le coupe-batterie (position marche - ON)

Remarque : Si votre moteur n'a pas fonctionné depuis plusieurs mois ou si le circuit carburant a été purgé, utilisez la pompe d'amorçage située sur le dessus du filtre à gasoil. Celle-ci sert à remplir le circuit de carburant s'il est asséché ou après le remplacement d'un élément du circuit.

⚠ **Danger !** : L'hélice en mouvement peut provoquer de graves blessures, vérifiez que personne ne se trouve à proximité de l'hélice avant de démarrer le moteur et ne naviguez jamais près des baigneurs.

Démarrage du moteur

Remarque : Lors du premier démarrage, faites tourner le moteur à vide et au ralenti pendant quelques minutes.

Si le moteur n'est pas utilisé régulièrement, mettez le contact et faites tourner le moteur au ralenti jusqu'à ce que la température de fonctionnement soit atteinte. Réalisez cette opération au moins une fois par mois d'inactivité.

Effectuez les manipulations suivantes afin de démarrer votre moteur en toute sécurité :

1. Positionnez le levier de commande au point mort
2. Insérez la clé dans le contact ON/STOP.
3. Tournez la clé vers la droite d'un quart de tour. Tous les voyants s'allument et un signal sonore retentit. Cette étape permet de vérifier le bon fonctionnement de ces éléments. Au bout de quelques instants, seuls les voyants alerte huile et charge batterie restent allumés.
4. Appuyez sur le bouton START, à mi-course pour commencer le préchauffage. Maintenir 5 à 20 secondes, selon la température ambiante. Appuyez à fond pour démarrer le moteur.

Tableau à bouton

Pour les tableaux à bouton (sans clé de contact) :

1. Appuyez sur le bouton ON/STOP. Tous les voyants s'allument et un signal sonore retentit. Cette étape permet de vérifier le bon fonctionnement de ces éléments. Au bout de quelques instants, seuls les voyants alerte huile et charge batterie restent allumés.
2. Appuyez sur le bouton START, à mi-course pour commencer le préchauffage. Maintenir 5 à 20 secondes, selon la température ambiante. Appuyez à fond pour démarrer le moteur.

⚠ **Attention !** : Ne jamais appuyer sur le bouton START lorsque le moteur est en marche.

Remarque : Consultez votre revendeur agréé Nanni Diesel afin de connaître les précautions à prendre en cas d'utilisation du moteur dans un milieu froid.

⚠ **Attention !** : Si le moteur ne démarre pas au premier essai, répétez la manœuvre en attendant 5 à 15 secondes entre chaque essai, contact coupé. Ne jamais insister car il y a risque de retour d'eau dans le moteur par le système d'échappement.

Faites chauffer votre moteur à faible régime et à faible charge pendant quelques minutes avant d'atteindre votre vitesse de croisière.

En fonctionnement

Régime de fonctionnement

Reportez-vous au chapitre « Spécifications techniques » afin de connaître le régime de rotation nominal de votre moteur.

Le fonctionnement du moteur à faible charge durant une trop longue période peut entraîner entre autre une augmentation de la consommation d'huile. A faible charge, la combustion du gasoil n'est pas complète, des dépôts peuvent se former dans le moteur et le système d'échappement. Faites fonctionner le moteur à pleine charge 4 à 5 heures par an afin de brûler d'éventuels dépôts.

Vitesse de croisière

Afin de naviguer dans de bonnes conditions, réglez votre vitesse de croisière à 200 tr/min de moins que le régime maximum en pleine charge.

Passage de vitesse marche avant / arrière

△ Danger ! : Ne jamais inverser le sens de marche lorsque le bateau est à pleine vitesse. Les changements de vitesse réalisés à un régime trop élevé peuvent endommager le moteur et la transmission.

Effectuez les manipulations suivantes pour les manœuvres de marche avant / marche arrière :

1. Abaissez le régime moteur au ralenti et attendez que le bateau perde un maximum de vitesse
2. Amenez le levier au point mort, attendez quelques secondes
3. Passez la commande en marche inverse et faites varier la vitesse.

Rodage

Faites fonctionner votre moteur avec précaution lors des 50 premières heures de fonctionnement.

N'accélérez pas immédiatement après le démarrage sans avoir laissé chauffer le moteur au ralenti quelques minutes et n'atteignez le régime maximum que pendant de courtes périodes.

Arrêt du moteur

Faites tourner votre moteur au ralenti et au point mort quelques minutes avant de l'arrêter, particulièrement si le moteur a tourné à haut régime et à forte charge.

Tournez la clef dans le sens inverse des aiguilles d'une montre. Le moteur s'arrête et tous les voyants s'éteignent.

Pour les tableaux à bouton, appuyez sur le bouton **ON/STOP puis relâchez-le.**

Arrêt d'urgence

Il est possible d'arrêter le moteur manuellement si la procédure d'arrêt standard ne fonctionne pas ou cas d'urgence. Pour cela, couper l'arrivée de gasoil.

△ Danger ! : Intervenir sur un moteur en marche est extrêmement dangereux.

Après l'arrêt du moteur

Ouvrir le coupe-circuit (alimentation batterie fermée), fermez la vanne de prise d'eau à la mer ainsi que celle d'alimentation de carburant. Contrôlez l'état du compartiment moteur afin de déceler d'éventuelles fuites.

△ Danger ! : Même après avoir arrêté votre moteur, des éléments restent chauds et en pression durant plusieurs minutes. Limitez au maximum les interventions sur l'ensemble de propulsion immédiatement après l'avoir stoppé.

△ Attention ! : En cas de remorquage du bateau, arrêtez le moteur et fermez impérativement la vanne de prise à la mer afin d'éviter le remplissage accidentel du moteur avec de l'eau de mer.

BATEAUX BI MOTEURS : En cas de navigation sur un seul moteur, fermez la prise d'eau à la mer du moteur arrêté. Ne pas oublier de la rouvrir avant de redémarrer le moteur.

L'entretien régulier de votre moteur est essentiel afin d'obtenir une fiabilité et une longévité optimales. La mise en œuvre des opérations décrites dans les pages suivantes et dans le carnet Silverwake vous permettra de prolonger la durée de vie du moteur et de réduire son impact sur l'environnement.

Durant la période de garantie, il est impératif que toutes les interventions soit effectuées par un technicien spécialisé agréé Nanni Diesel. Cependant, certains contrôles réguliers, notamment ceux à effectuer à chaque utilisation, ne peuvent être effectués que par l'utilisateur.

Certaines opérations vous sont expliquées dans les pages suivantes afin de vous permettre d'intervenir sur le moteur en cas d'urgence ou lorsque vous ne vous trouvez pas à proximité d'un centre de réparation. Nous vous recommandons cependant de faire contrôler toutes vos interventions par un spécialiste agréé Nanni Diesel.

△ Attention ! : Limitez au maximum les opérations lorsque le moteur est en marche et/ou lorsque vous naviguez.

Cette notice d'utilisation ne décrit qu'une partie des opérations de maintenance à réaliser. Retrouvez la liste complète dans le carnet Silverwake. Les opérations indiquées dans le carnet Silverwake doivent absolument être réalisées par un technicien agréé Nanni Diesel.

Le tableau d'instrumentation vous indique combien de temps votre moteur à fonctionné depuis son installation.

Remarque : Certains équipement sont optionnels et peuvent ne pas faire partie de votre moteur.

Afin de préserver les qualités mécaniques du moteur et de prolonger sa durée de vie, il est conseillé de suivre les directives suivantes :

Utilisez un liquide de refroidissement composé à 50% d'eau et d'antigel. Utilisez de l'eau du robinet pour le mélange : Une eau trop dure produirait des dépôts de tartre, et diminuerait l'efficacité du système de refroidissement. Cela pourrait aboutir au grippage d'un piston.

Si vous n'en utilisez pas et qu'il fait moins de zéro degré Celsius, veillez à vidanger l'eau de refroidissement après chaque utilisation.

Ne pas faire marcher le démarreur pendant plus de 15 secondes : Une utilisation continue du démarreur pendant plus de 15 secondes endommagerait le système.

Choisir un combustible de type gazole conforme à la norme DIN-EN 590. En cas d'alimentation en carburant Biodiesel (selon les spécifications UNI EN14214) il peut être mélangé jusqu'à 5% avec un carburant disponible sur le territoire européen (selon la norme DIN EN 590): Un combustible d'une qualité inférieure provoquera une mauvaise combustion, pouvant engendrer des problèmes de démarrage et un fort dégagement de fumée.

Vidangez le réservoir de combustible : Enlevez les dépôts contenus dans le combustible régulièrement.

Utilisez un lubrifiant de qualité : Une huile de lubrification de mauvaise qualité nuira au moteur, en termes d'usure des pièces, de grippage, etc. c'est à dire qu'elle réduira sa durée de vie. Le lubrifiant doit avoir les caractéristiques suivantes :

Degré : SAE 10W - 40

Spécifications minimale : ACEA A3, B3 ou API SL, CF

Contrôles quotidien

Prenez l'habitude de contrôler régulièrement l'état de la cale moteur et du moteur avant et après l'avoir utilisé : vérifiez la présence ou non de fuites de carburant ou d'huile, le serrage des différents colliers et boulons, l'état des courroies, des durites et des différents câbles électriques, l'usure de l'anode de zinc (si équipé), le niveau d'électrolyte de la batterie.

Ces vérifications relativement simples peuvent vous aider à détecter d'éventuelles pannes avant de nécessiter une intervention lourde sur votre moteur.

⚠ Attention ! : Ne laissez pas s'accumuler les dépôts d'huile, de carburants ou de graisse autour du moteur, ceux-ci peuvent accentuer le risque d'incendie dans le compartiment moteur.

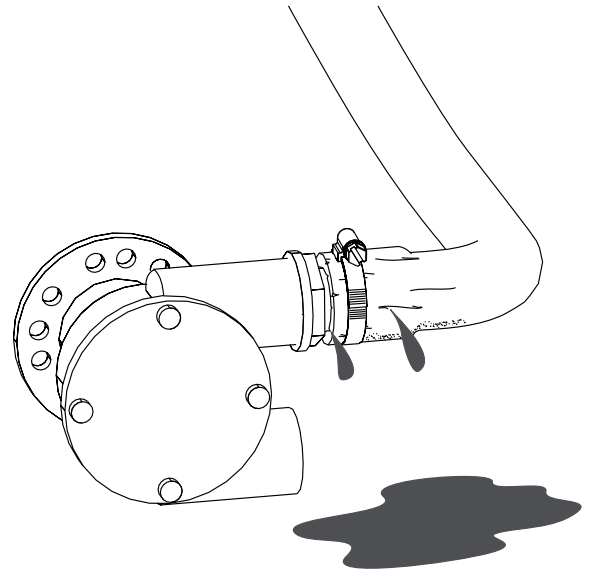
Vérifiez le fonctionnement des différents voyants et indicateurs situés sur le tableau d'instrumentation.

Presse étoupe

Vérifier régulièrement l'étanchéité de votre presse étoupe (si équipé). Ce système n'est pas parfaitement étanche, il est tout à fait normal qu'il y ait une légère entrée d'eau. Un bon fonctionnement se caractérise par une entrée d'eau au goutte à goutte. Si l'eau entre en filet, signe d'un débit trop important, contactez un concessionnaire agréé Nanni Diesel.

Câbles de commande

Inspectez les câbles de commande d'accélérateur et d'inverseur, vérifiez qu'ils ne sont pas effilochés et détendus. Pensez à graisser les connections.



Systeme d'alimentation

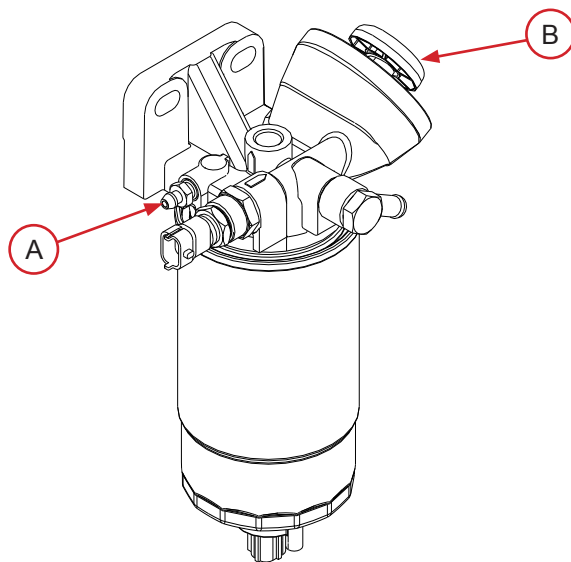
⚠ **Danger !** : Une propreté absolue est nécessaire lors d'une intervention sur le circuit de carburant, aucune impureté ne doit entrer dans la pompe d'injection et les injecteurs. Effectuez chacune de ces opérations moteur froid et à l'arrêt.

Purge du circuit de carburant

Le circuit de carburant est auto amorçant mais une purge manuelle est nécessaire lors d'un changement de filtre, après une panne sèche ou après une intervention sur le circuit si celui-ci est asséché ou s'il a été vidé.

- Desserrez la vis de purge **A** sur le support du filtre à carburant du moteur et placez un récipient sous le filtre.
- Actionnez la pompe d'amorçage en pressant le bouton **B** de façon répétée jusqu'à ce que du carburant sans bulles s'écoule au niveau de la vis de purge.
- Serrez la vis de purge

⚠ **Attention !** : Évitez de vider tout le carburant contenu dans le filtre lors de la purge. Dans le cas contraire, enlever le filtre et le remplir de combustible avant de le remonter et refaire la purge.

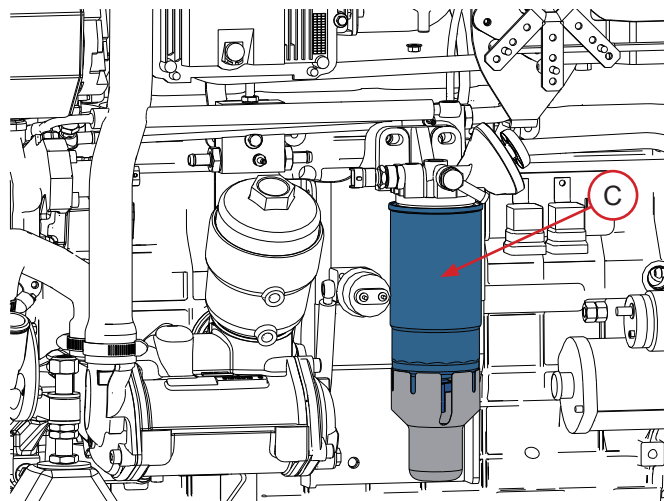


Remplacement du filtre à gazole

Ce filtre traite l'eau et les impuretés contenues dans le carburant avant son passage dans le circuit d'injection.

- Coupez l'arrivée de carburant au niveau du réservoir.
- Placez un récipient sous le filtre puis déposez la cartouche de filtre **C** usagée.
- Appliquez un mince film de carburant sur la surface du joint d'étanchéité de la nouvelle cartouche de filtre avant de la monter.
- Serrez à la main jusqu'à ce que le filtre soit en contact avec la tête de filtre, puis serrez d'un demi-tour.
- Desserrez la vis de purge pour évacuer l'air, ouvrez à nouveau la vanne de carburant et purgez le circuit.
- Démarrez le moteur et vérifiez l'étanchéité du montage.

⚠ **Attention !** : Les filtres usagés doivent être consignés dans un conteneur prévu à cet effet.

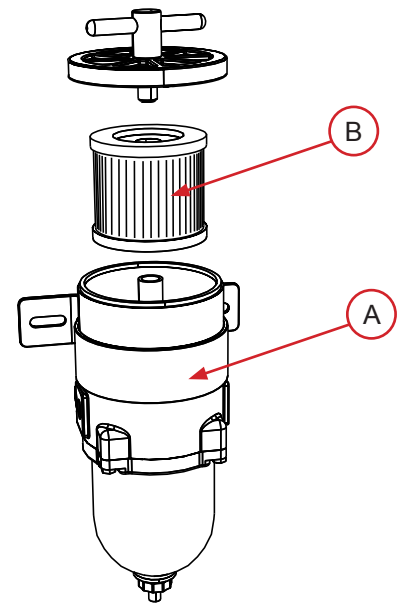


Systeme d'alimentation

Remplacement du préfiltre à carburant

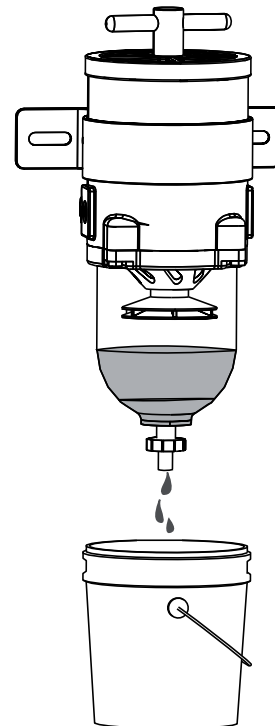
Le préfiltre à carburant est un équipement optionnel qui purifie le gasoil avant qu'il soit injecté dans le moteur. Ces instructions sont données à titre d'exemple.

- Fermez le robinet de carburant au niveau du réservoir de carburant.
- Placez un récipient sous le préfiltre à carburant. Démontez la cuve du filtre **A**.
- Videz et nettoyez la cuve du filtre.
- Remplacez la cartouche **B** et remettez la cuve en place.
- Ouvrez le robinet de carburant. Purgez le système d'alimentation puis démarrez le moteur afin de vérifier l'étanchéité.



Vidange de l'eau dans le préfiltre à carburant

Vérifiez qu'il ne contient pas d'eau avant chaque démarrage. S'il en contient, placez un bac sous le préfiltre à carburant puis videz l'eau et les impuretés en utilisant le bouchon/robinet de fond.



Systeme de lubrification

Contrôle du niveau et ajout d'huile moteur

⚠ **Attention !** : Effectuez ces opérations moteur à l'arrêt. L'huile chaude et les surfaces chaudes peuvent bruler.

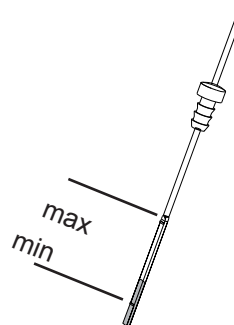
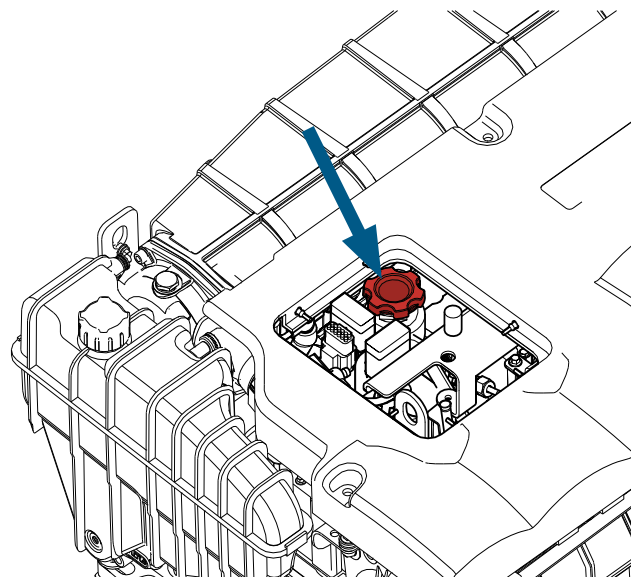
En cas d'utilisation d'une huile d'une marque ou d'une viscosité différente de la précédente, vidangez l'ancienne. Ne mélangez jamais deux types d'huiles différentes. Respectez les intervalles de vidange conseillés.

Le niveau d'huile doit se trouver dans la plage indiquée sur la jauge d'huile. Pour vérifier le niveau d'huile :

- Démarrez le moteur et laissez-le tourner quelques minutes
- Arrêtez le moteur et retirez la clé de contact
- Retirez la jauge, essuyez-la.
- Réinsérez-la puis retirez-la.
- Vérifiez si le niveau d'huile se situe entre les deux encoches. Si le niveau est trop bas, rajoutez de l'huile jusqu'au niveau spécifié.

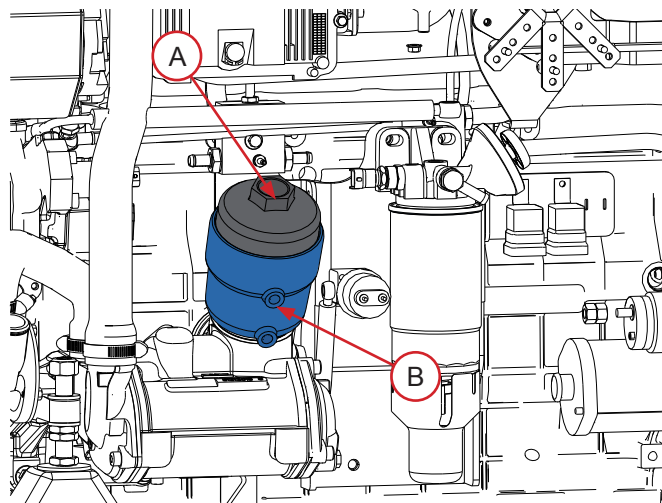
Le remplissage d'appoint se fait via l'orifice de remplissage situé sur le dessus du moteur. Rajoutez l'huile lentement et attendez quelques minutes avant de contrôler à nouveau le niveau, afin de permettre à l'huile de s'écouler dans le carter moteur.

⚠ **Attention !** : Ne pas remplir le carter au-dessus du niveau Maxi indiqué sur la jauge. Ne jamais mélanger des huiles qui n'ont pas les mêmes caractéristiques.



Remplacement de la cartouche de filtre à huile

- Placez un récipient sous le filtre
- Démontez la calotte du filtre à huile **A** avec une clé.
- Retirez la cartouche filtrante située dans le support de filtre **B**
- Nettoyer le support de filtre afin d'éviter que des impuretés ne pénètrent dans le moteur.
- Appliquez une fine couche d'huile sur le joint en caoutchouc de la nouvelle cartouche.
- Remplacez la cartouche filtrante
- Remontez la calotte du filtre en serrant avec un couple de 25 Nm.
- Après avoir remplacé le filtre, contrôlez le niveau d'huile avec la jauge. Rajoutez de l'huile si nécessaire.
- Démarrez le moteur et vérifiez toutes éventuelles fuites d'huile.



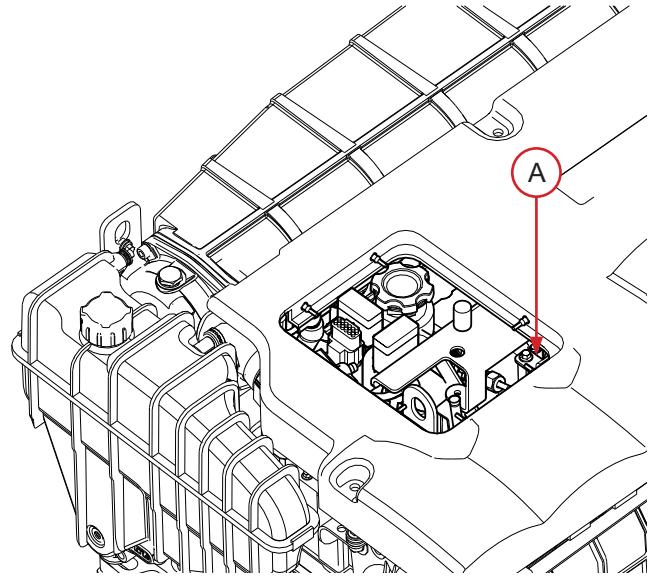
Systeme de lubrification

Vidange de l'huile moteur

⚠ **Attention !** : Effectuez cette opération moteur froid et à l'arrêt. L'huile chaude et les surfaces chaudes peuvent bruler. .

La vidange d'huile se fait via l'orifice de vidange d'huile à l'aide d'une pompe de vidange, huile légèrement chaude.

- Démarrez le moteur et faites-le chauffer pendant environ 5 minutes, afin de permettre à l'huile d'être plus facilement aspirée.
- Arrêtez le moteur. Dévisser le bouchon de l'orifice de vidange **A**.
- Reliez la pompe de vidange à l'orifice de vidange **A**. Utilisez un récipient afin de récupérer l'huile extraite.
- Pompez jusqu'à complète extraction de l'huile. Refaites le plein avec de l'huile neuve (la quantité d'huile à ajouter est indiquée dans la section spécifications techniques).
- Contrôlez le niveau à l'aide de la jauge sans dépasser le niveau maxi.
- Démarrez le moteur et contrôlez que le témoin de pression d'huile soit éteint et qu'il n'y a pas de fuites sur le circuit de lubrification. Laissez chauffer le moteur quelques minutes puis reconstrôler le niveau d'huile. Faire l'appoint si nécessaire.
- Remettez le bouchon en place de l'orifice de vidange en place.



Circuit de refroidissement - liquide de refroidissement

Le système de refroidissement permet au moteur de fonctionner à une température optimale. Afin de protéger le moteur contre le gel et la corrosion, le système de refroidissement doit être rempli d'un liquide composé à 50% d'eau et à 50% d'un additif antigel et anticorrosif.

Le liquide de refroidissement doit être changé régulièrement, les additifs perdant de leur efficacité avec le temps. Préparez ce mélange avant de remplir l'échangeur.

Si le moteur doit être arrêté durant une longue période et dans un environnement avec un fort risque de gel, le liquide de refroidissement doit être vidangé.

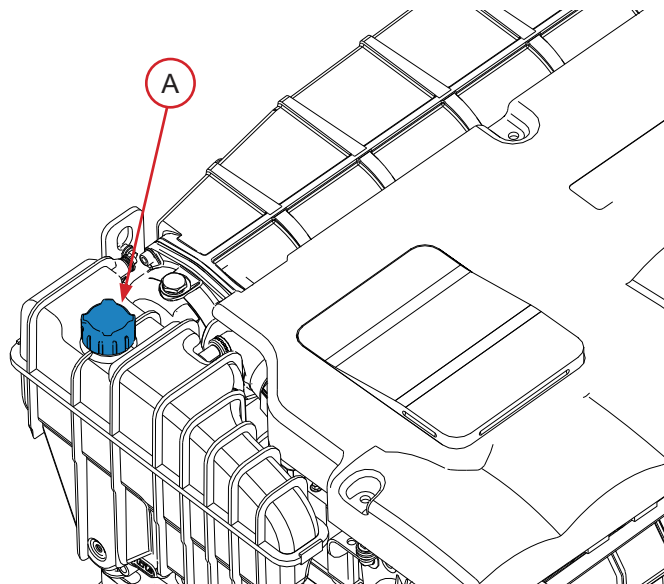
⚠ **Attention !** : Ne jamais utiliser seulement de l'eau pour remplir le circuit de refroidissement. Utilisez toujours un récipient propre et veillez à bien mélanger les liquides

Remplissage de liquide de refroidissement

⚠ **Attention !** : Ne pas enlever le bouchon de réservoir de l'échangeur de chaleur lorsque le moteur est chaud. Le liquide de refroidissement sous pression peut jaillir et causer de graves brûlures. Effectuez ces manipulations moteur à l'arrêt et froid. Utilisez uniquement du liquide de refroidissement neuf lorsque vous remplissez ou rajoutez du liquide de refroidissement.

Contrôlez régulièrement le niveau de liquide de refroidissement.

- Tournez le bouchon de remplissage **A** situé sur l'échangeur jusqu'à sa première butée afin de laisser s'échapper la pression du système, puis retirez le bouchon.
- Inspectez le niveau du fluide : celui-ci doit se situer entre 1 et 2 cm au dessous du rebord inférieur de l'échangeur.
- Si nécessaire faire l'appoint. Remplissez lentement l'échangeur de température afin de laisser l'air s'évacuer.
- Démarrez le moteur quelques minutes et faites le tourner au ralenti. Arrêtez-le, attendez quelques instants puis vérifiez à nouveau le niveau de liquide de refroidissement. Faire l'appoint si nécessaire.

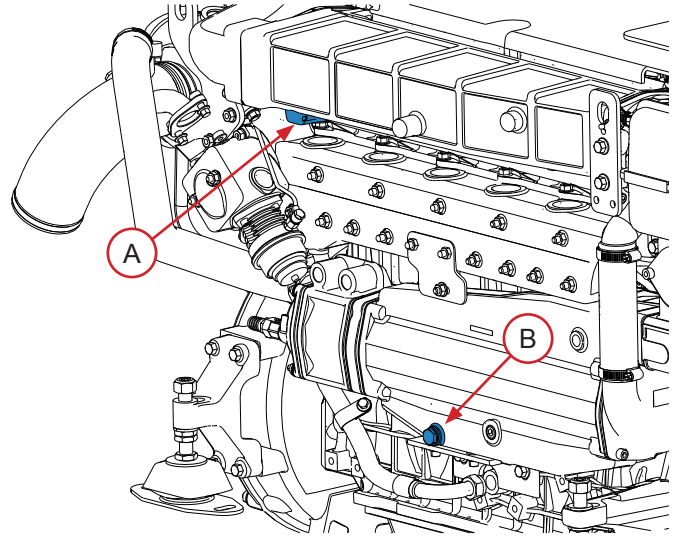


Circuit de refroidissement - liquide de refroidissement

Vidange du circuit de refroidissement

Le circuit de liquide de refroidissement doit être vidangé afin d'éliminer les différents dépôts qui peuvent s'accumuler dans le circuit.

- Démarrez le moteur et faites le tourner au ralenti quelques minutes.
- Arrêtez le moteur et retirez la clé de contact puis laissez le refroidir afin d'éviter tout risque de brûlures.
- Placez un récipient sous les bouchons de vidange **A** et **B** puis desserrez-le.
- Laissez s'écouler le liquide jusqu'à ce que l'échangeur soit vide.
- Récupérez le liquide de refroidissement usagé et le déposer dans une déchetterie agréée.
- Nettoyez le circuit à l'eau claire en suivant la procédure de rinçage avant de remettre le bouchon en place.



Rinçage du circuit de refroidissement

Le circuit de liquide de refroidissement doit être rincé après avoir été vidangé.

- Desserrez le bouchon de remplissage situé sur le dessus de l'échangeur et les bouchons de vidange. Placez un récipient sous les bouchons de vidange.
- Rincez l'intérieur de l'échangeur en plaçant un tuyau dans l'orifice de remplissage
- Continuez à rincer jusqu'à ce que l'eau s'écoulant des orifices de vidange soit propre
- Remettez les bouchons de vidange en place et refaites le plein de liquide de refroidissement par l'orifice de remplissage.

Circuit de refroidissement - eau de mer

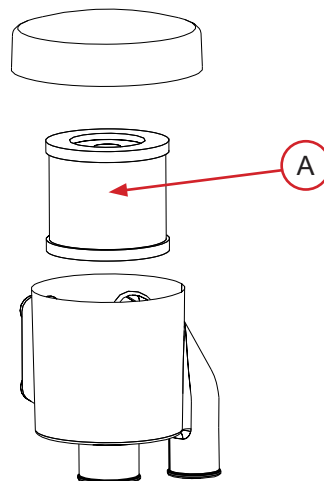
⚠ **Attention !** : Lorsque le bateau est dans l'eau, il existe un risque de pénétration d'eau dans le bateau lors d'une intervention sur le circuit d'eau de mer. De l'eau peut s'infiltrer dans le bateau via les composants du circuit se trouvant au dessous du niveau de l'eau. Fermez la vanne de prise d'eau de mer (si équipé) ou empêchez l'écoulement de l'eau avant d'intervenir sur ce circuit !

Le nettoyage du circuit d'eau de mer est essentiel afin d'éviter la formation de dépôts et de cristaux de sel. La présence d'un filtre à eau entre la pompe et la prise d'eau à la mer est impérative. Vérifiez et nettoyez le filtre régulièrement.

Nettoyage du filtre à eau de mer

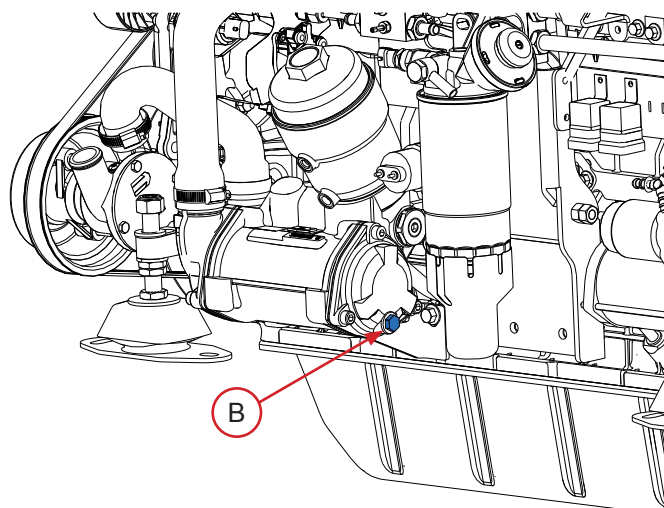
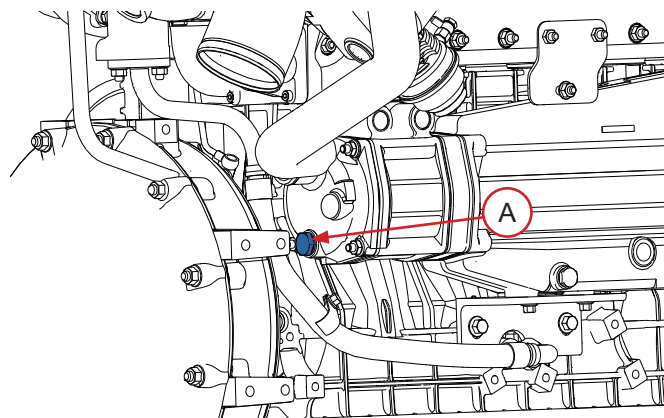
Le filtre à eau de mer est un équipement optionnel. Ces instructions sont données à titre d'exemple.

- Moteur à l'arrêt, inspectez l'état du filtre à eau de mer. Si un dépôt se forme, démonter le filtre afin de le nettoyer.
- Retirez le couvercle puis la partie filtrante **A**. Débarrassez le logement de tous les débris qui l'encombre.
- Rincez le filtre et le logement à l'eau douce et vérifiez l'état du joint d'étanchéité puis remontez l'ensemble et vérifiez en fonctionnement l'absence de fuite d'eau et/ou d'air dans le circuit.



Vidange du circuit d'eau de mer

- Fermez la vanne de prise d'eau à la mer.
- Placez un récipient sous les bouchons de vidange **A & B**
- Dévisser le bouchons de vidange **A & B**
- Laissez l'eau s'écouler dans les récipients
- Remontez les bouchons
- Vidangez également le circuit d'échappement, une petite quantité d'eau pouvant rester dans le fond du pot d'échappement (Waterlock).

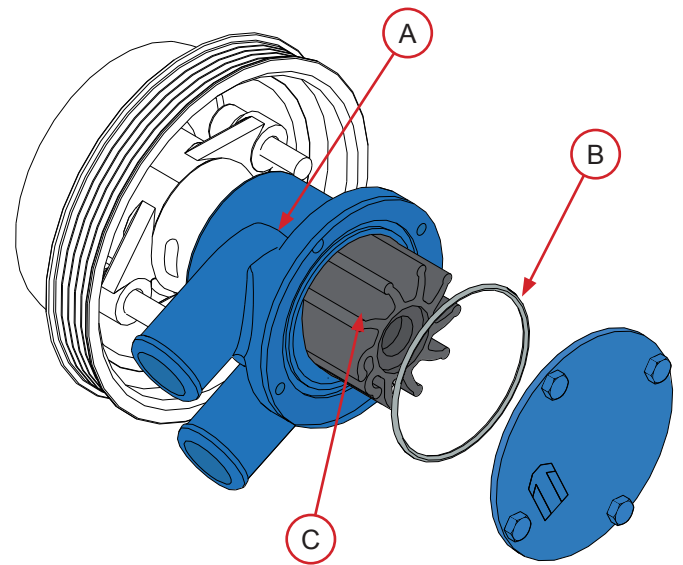


Circuit de refroidissement - eau de mer

Remplacement du rotor de la pompe à eau de mer

Le rotor de la pompe à eau de mer est un élément essentiel. Il doit être changé régulièrement tout comme le joint d'étanchéité. Un rotor usé peut s'effriter et détériorer le système de refroidissement. Ayez toujours un rotor de rechange à bord du bateau.

- Fermez la vanne de prise d'eau de mer
- Retirez le couvercle de la pompe à eau de mer **A** et le joint **B**, puis extraire le rotor **C** sans l'abîmer.
- Contrôlez l'état du rotor : remplacez-le si le moindre défaut apparaît.
- Nettoyez les éléments conservés.
- Montez un rotor neuf en le faisant tourner dans le sens des aiguilles d'une montre.
- Lubrifiez le carter de ma pompe ainsi que l'intérieur du couvercle avec de la graisse hydrofuge pour caoutchouc.
- Remontez le couvercle de la pompe à eau en utilisant un joint neuf.
- Ouvrez la vanne de prise d'eau de mer puis démarrez le moteur afin de vérifier l'étanchéité du circuit.



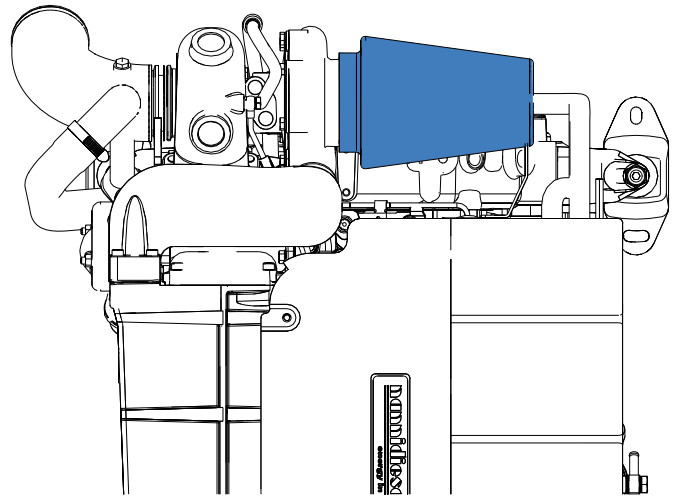
Filtre à air

⚠ **Attention !** : Effectuez ces manipulations lorsque le moteur est à l'arrêt et froid.

Le filtre à air sert essentiellement à purifier l'air injecté dans la chambre de combustion et à atténuer le bruit produit par ce circuit. Les performances du moteur dépendent en partie de la qualité de l'air d'admission.

Un filtre à air encrassé peut faire baisser les performances du moteur.

- Enlevez les colliers de flexible et déposer le filtre.
- Nettoyez le d'abord avec de l'air comprimé puis en le lavant dans un solvant de lavage. Ensuite, rincez-le dans de l'eau claire.
- Faites le totalement sécher à température ambiante avant de le remettre en place.
- Si le filtre est trop encrassé, changez-le.



Système électrique du moteur

⚠ **Attention !** : Arrêtez le moteur et l'alimentation des batteries avant d'intervenir sur le circuit électrique.

Courroie de l'alternateur

Effectuez cette vérification après avoir fait fonctionner le moteur, lorsque la courroie est chaude.

⚠ **Attention !** : Certaines parties du moteur peuvent être extrêmement chaudes et peuvent brûler.

Pour remplacer la courroie, agir sur le tendeur **A** jusqu'à ce que les orifices **B** soient l'un en face de l'autre puis engager une goupille pour le bloquer. Vous pouvez alors déposer la courroie et la remplacer.

Après son remplacement, pour tendre la courroie, agir sur le tendeur **A** pour libérer la goupille et pouvoir l'enlever. Relâcher ensuite l'effort sur le tendeur automatique **A** qui va alors appliquer la tension appropriée sur la courroie.

Contrôle niveau de l'électrolyte

La batterie de démarrage doit rester propre et sèche. L'oxydation ou le dépôt d'impuretés sur la batterie et sur ses bornes peut provoquer des courts-circuits, des chutes de tension et une décharge prématurée, notamment par temps humide.

Les bornes de la batterie ainsi que les câbles doivent être nettoyés avec une brosse en laiton afin d'enlever toute oxydation. Serrez bien les bornes de câbles et lubrifiez-les avec de la graisse adaptée.

Le contrôle du niveau d'électrolyte doit être effectué périodiquement. En cas de remplacement de la batterie, utilisez une batterie ayant des spécifications semblables à la précédente.

Dans le cas de démarrage avec une batterie de dépannage et des câbles de raccordement, procéder de la façon suivante :

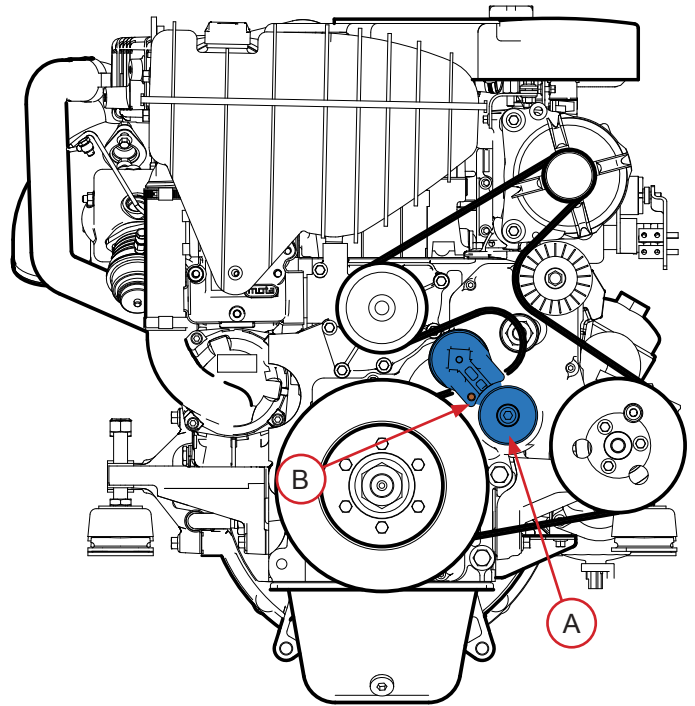
- Relier la batterie de dépannage à la batterie principale en connectant le + au + et le - au -. Dès que le moteur a démarré, enlevez les câbles de raccordement.

Vous devez débrancher les 2 câbles de batterie lorsque :

- Vous utilisez un chargeur de batterie
- Avant toute intervention sur l'équipement électrique
- Avant de réaliser un travail de soudure

Changement des fusibles

Les fusibles de protection du circuit électrique sont à déclenchement unique de type jetable. Ils agissent en cas de surcharge de courant ou de court-circuit, afin d'éviter d'endommager les composants. En cas de d'anomalie ayant causé le déclenchement d'un fusible, recherchez-en la cause avant de changer de fusible. Utilisez toujours un fusible ayant les mêmes caractéristiques lors d'un remplacement.



Protection contre la corrosion - Anode de zinc

Lorsqu'au moins deux métaux dissemblables sont immergés dans de l'eau de mer, de l'eau polluée ou de l'eau à haute teneur en minéraux, une réaction chimique se produit et un courant électrique s'établit entre les métaux.

Ce courant électrique entraîne l'érosion du métal le plus actif du point de vue chimique, ou le plus anodique. Si elle n'est pas contrôlée, cette corrosion galvanique peut endommager gravement les composants de l'ensemble de propulsion exposé à l'eau.

Afin de protéger le moteur et le circuit de refroidissement à eau de mer contre la corrosion, le moteur est équipé de 2 anodes sacrificielles de zinc.

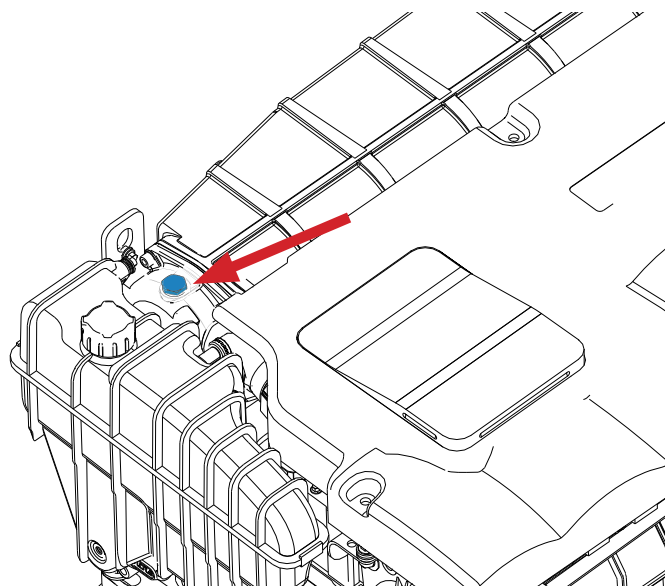
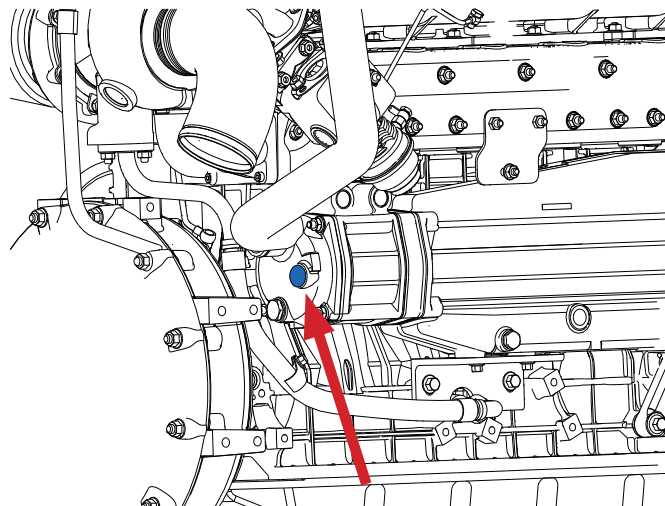
Pour retirer les anodes

- Laissez refroidir le moteur
- Fermez la vanne de prise d'eau à la mer
- Vidangez le circuit d'eau de mer
- Retirez l'ensemble composé d'un bouchon, d'un joint et de l'anode.

Remarque : Retirez les dépôts de la surface de l'anode à l'aide de papier de verre avant de déterminer le niveau d'érosion. Ne pas utiliser une brosse en acier doux qui peut laisser des dépôts susceptibles d'accélérer la corrosion.

Si l'anode est usée à plus de 50%, la remplacer ainsi que le joint.

⚠ **Attention !** : Bien resserrer le bouchon de l'anode et ne pas oublier de rouvrir la vanne de prise d'eau de mer.



Protection du moteur en cas d'inactivité

Un ensemble d'opération permet de protéger le moteur durant une longue période de non-utilisation. **Nous vous recommandons de faire réaliser ces opérations d'hivernage par un atelier agréé Nanni Diesel.**

En cas de courtes périodes d'inactivité, effectuez les interventions suivantes :

- Contrôlez l'intégrité des contacts électriques et les protéger avec un spray antioxydant si nécessaire.
- Vérifiez le niveau d'électrolyte et si la batterie est chargée
- Amenez le moteur à sa température de fonctionnement (70-80°C) au moins une fois par mois.

Pour des longues périodes d'inactivité, effectuez les opérations décrites ci-après. Ce traitement est efficace pendant 6 mois. Si la période d'inactivité se prolonge, ré-effectuez ce traitement.

1. Vidanger l'huile, remplacer les filtres à huile et remplir avec de l'huile neuve. Vidanger et changer le liquide de refroidissement.
2. Purger le filtre décanteur et changer sa cartouche si équipé.
3. Changer le filtre à gasoil et purger le circuit de carburant avec du combustible de stockage.
4. Contrôler l'état du filtre à air.
5. Contrôler le mouvement libre de la crémaillère de pompe à injection si équipé.
6. Contrôler les câbles de commande (s'assurer que le moteur soit au point mort et au ralenti).
7. Enlever tous les organes mécaniques et les applications auxiliaires qui pourraient s'abîmer lors du fonctionnement à vide du moteur.
8. Contrôler l'état et la tension des courroies. Les changer si nécessaire.
9. Faire démarrer le moteur, qui doit tourner au ralenti pendant 5 minutes.
10. Amener le moteur à 1500-1800 tr/min pendant 15 minutes jusqu'à ce que la température de fonctionnement (70-80°C) soit atteinte.
11. Arrêter le moteur et retirer la clé de contact.
12. Laisser refroidir le moteur pour éviter tout risque de brûlure.
13. Boucher tous les orifices (admission, échappement, etc.).
14. Détendre les courroies.
15. Déposer et stocker le rouet de pompe à eau de mer dans un récipient opaque. Apposer une étiquette « rotor de pompe absent » sur le moteur.
16. Déposer la batterie.
17. Pulvériser un spray anti-humidité sur le moteur et les parties électriques (démarrateur, alternateur, connecteurs de faisceau et tableau de bord).
18. Nettoyer la cale et installer un déshumidificateur.
19. Graisser les câbles de commande (si équipé)

Remise en service du moteur

Après une période d'inactivité, effectuez les opérations suivantes avant de faire redémarrer le moteur :

- Vérifier si la batterie est chargée et contrôler les niveaux de liquide. Vérifier si les contacts électriques sont intacts et s'ils fonctionnent bien.
- Contrôler le niveau d'huile; si nécessaire, remplir le réservoir d'huile ou vidanger l'huile suivant la fréquence donnée dans le carnet Silverwake.
- Remplacer le filtre à huile suivant la fréquence donnée dans le carnet Silverwake.
- Contrôler le niveau du liquide de refroidissement ; remplir si nécessaire ou vidanger le liquide suivant la fréquence donnée dans le carnet Silverwake.
- Remplacer le filtre à gasoil suivant la fréquence donnée dans le carnet Silverwake.
- Remplacer le filtre à air suivant la fréquence donnée dans le carnet Silverwake.
- Tendrer de nouveau la courroie.
- Contrôler le serrage des raccords.
- Contrôler l'intégrité du rotor de la pompe à eau de mer et le remettre en place dans la pompe.
- Enlever le traitement de protection extérieur et retirer toutes les protections.
- Faire fonctionner le moteur à vide et en l'absence de dysfonctionnements, le laisser tourner quelques minutes.
- Arrêter le moteur et contrôler le niveau d'huile et de liquide de refroidissement.

Stockage prolongé

Pour un stockage prolongé avant ou après une première utilisation, un ensemble de mesures particulières sont à prévoir, vous rapprocher de votre technicien agréé NANNI DIESEL.

Dépannage

Cette section est destinée à vous aider à appréhender les différents problèmes pouvant survenir sur votre moteur. Cependant le moyen le plus sûr pour régler des difficultés que vous pourrez rencontrer est de consulter un technicien qualifié. Certaines opérations doivent impérativement être effectuées par un technicien qualifié agréé Nanni Diesel ; celles-ci sont marquées en gras dans les tableaux ci-après.

Cette liste non exhaustive constitue une aide en cas d'urgence et ne peut en aucun cas constituer un mode opératoire de dépannage. Certains éléments cités peuvent ne pas faire partie de votre moteur.

Défauts et causes probables

Le moteur ne démarre pas/le démarreur ne tourne pas

Défauts	Remède
Le coupe-circuit est ouvert ou un fusible a sauté	Vérifier et réinstaller le coupe-circuit ou remplacer le fusible ou réparer le coupe circuit
Le coupe-circuit électrique ne fonctionne pas	
L'interrupteur de batterie est ouvert (coupe-batterie)	Fermer l'interrupteur
Les connections électriques sont défectueuses	Vérifier toutes les connections et les fils électriques (surtout les câbles de batterie). Nettoyer et serrer les connections
Batterie défectueuse	Tester et charger ou remplacer si elle est mauvaise
Procédure de démarrage erronée	Lire et appliquer la procédure de démarrage
Réservoir de carburant vide ou robinet de carburant fermé	Remplir le réservoir ou ouvrir le robinet
Pompe de carburant défectueuse	Remplacement de la pompe
Filtres de carburant encrassés ou présence d'eau	Nettoyer ou remplacer les filtres de carburant ou vidanger l'eau du préfiltre puis purger le circuit.
Carburant contaminé ou trop vieux	Vider le réservoir s'il est pollué et remplir de carburant propre
Conduite du carburant ou conduite d'air du réservoir bloquée ou tordue	Remplacer les conduites tordues ou y insuffler de l'air comprimé pour enlever l'obstruction
Présence d'air dans le système d'injection du carburant	Purger le système d'injection

Défauts et causes probables

Le moteur surchauffe / Température de liquide de refroidissement du moteur trop élevée

Défauts	Remède
La vanne d'eau de mer est fermée	Ouvrir la vanne d'eau de mer
Le filtre à eau de mer est bouché	Fermer la vanne d'eau de mer et nettoyer le filtre
La pompe d'eau de mer aspire de l'air	Contrôler le positionnement et l'étanchéité du couvercle du filtre à eau de mer, ainsi que le flexible d'aspiration
La courroie de la pompe du circuit d'eau douce est lâche ou défectueuse	Retendre la courroie ou la changer
La pompe du circuit d'eau douce est défectueuse	Remplacer la pompe et la courroie de distribution
Le rotor de la pompe à eau de mer est défectueux	Remplacer le rotor
La quantité de liquide de refroidissement est insuffisante	Effectuer l'appoint et contrôler l'étanchéité du système de refroidissement
Le thermostat fonctionne mal	Le remplacer
Le système de refroidissement est obstrué	Situer l'emplacement du problème et nettoyer
Circuit de refroidissement fermé sale	Nettoyer et rincer
Perte de pression dans le circuit de refroidissement fermé	Vérifier qu'il n'y a pas de fuites ; nettoyer, inspecter et vérifier le bouchon de remplissage
Liquide de refroidissement non-conforme	Utiliser le liquide de refroidissement préconisé (voir caractéristiques techniques).

Caractéristiques techniques

CARACTÉRISTIQUES DU MOTEUR	V6.270	V6.320	V6.350
Type	4 temps Diesel		
Puissance - kW (ch)*	198 / 270	235 / 320	257 / 350
Nombre cylindres	6 en ligne		
Cylindrée (cm ³)	4164		
Distribution	2 soupapes par cylindre		
Taux de compression	17.5 : 1		
Aspiration	Turbocompresseur et intercooler		
Alésage/course (mm)	94 x 100		
Régime nominal maximum en charge (tr/min)*	3800 ± 50 tr/min		
Régime au ralenti (tr/min)*	700 ± 50 tr/min		
Régime maximum à vide (tr/min)*	3900 ± 50 tr/min		
Poids sans transmission (kg)	460		
SYSTÈME D'INJECTION	V6.270	V6.320	V6.350
Injection	Directe Common Rail		
Ordre d'injection	1-5-3-6-2-4		
Pompe à injection	BOSCH Common Rail		
Pression d'injection (bar)	1600		
GRAISSAGE	V6.270	V6.320	V6.350
Type de graissage	Forcé par pompe à rotor		
Pression à régime minimum (bar)	1 - 4		
Quantité d'huile (litres)	9 mini - 12.3 maxi		
LIQUIDE DE REFROIDISSEMENT	V6.270	V6.320	V6.350
Pression de réglage bouchon vase d'expansion (bar)	1		
Contenance liquide de refroidissement litres (mélange 50% eau 50% antigel) **	18		
CIRCUIT ÉLECTRIQUE	V6.270	V6.320	V6.350
Puissance du démarreur (kW)	2.3		
Batterie recommandée (Ah)	100-150		
Alternateur	12V / 110A		

* Au volant moteur, selon ISO 8665-1

Certaines spécifications peuvent varier en fonction de votre commande

Le régime de croisière recommandé est de 200 tr/min au dessous du régime nominale en charge

Nanni Industries S.A.S.

11, Avenue Mariotte - Zone Industrielle

BP 107- 33260 La Teste France

Tel : + 33 (0)5 56 22 30 60

Fax : +33 (0)5 56 22 30 79

E-mail : contact@nannidiesel.com

ISO 9001

BUREAU VERITAS
Certification



© 2009 - Nanni Industries SAS

Les images, textes et informations contenus dans ce document sont basés sur les caractéristiques du produit au moment de la publication de ce document. Nanni Diesel se réserve le droit de modifier le présent document sans préavis.